

GENERAL INFORMATION:

SHAFT RUNOUT: .001 [.025] T.I.R. PER INCH LENGTH OF EXTENSION

END PLAY: .010 [.254] TO .063 [1.600]

BEARINGS: SLEEVE

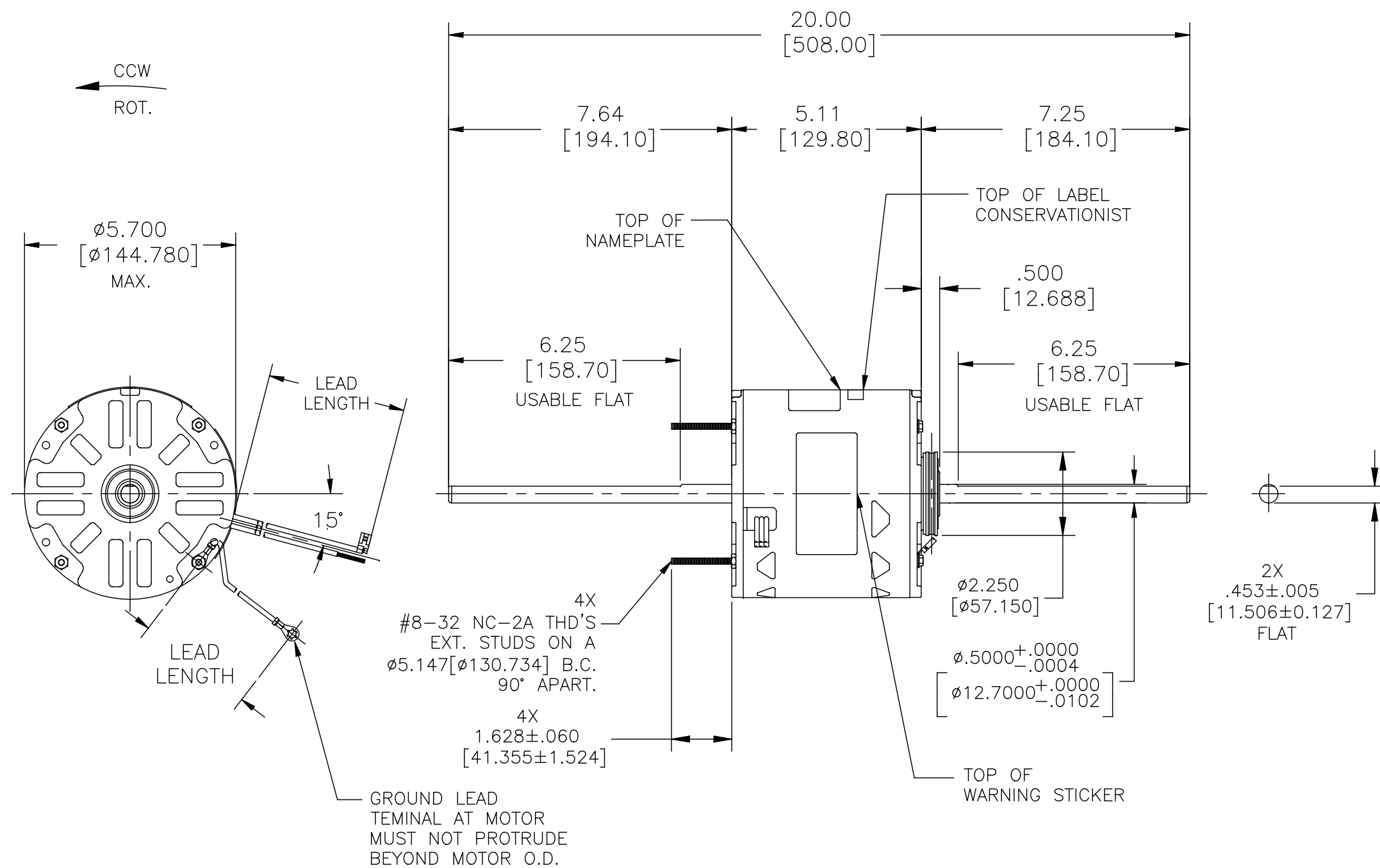
MOUNTING POSITION: HORIZONTAL

ELECTRICAL DATA:

OVERLOAD PROTECTOR: AUTOMATIC RESET (T.I. 7AM 036)

LEADS: NO. 18 GA., .06 [1.52] THK. 105°C PVC INSUL.

GROUND LEAD: NO. 18 GA., .03 [.76] THK. (GREEN) INSUL.



NOTES:
10008025-002-001 RESILIENT MOUNTING KIT TO BE PACKED WITH MOTOR

REGAL-BELOIT CORPORATION (RBC) PROVIDES TECHNICAL ASSISTANCE TO OUR CUSTOMERS IN SEVERAL AREAS. SINCE RBC DOES NOT RECEIVE ALL DATA CONCERNING THE USE AND APPLICATION OF THE MOTOR, THE SUITABILITY OF THE MOTOR FOR THE APPLICATION MUST BE DETERMINED BY THE CUSTOMER.

DIMENSIONS WITHOUT TOLERANCES ARE FOR REFERENCE ONLY.

MAIN FRAME - OLE	SEMI-ENCLOSED
END FRAME - OLE	OPEN
MAIN FRAME - LE	SEMI-ENCLOSED
END FRAME - LE	OPEN

COLOR	LENGTH	TERMINAL OR STRIP LENGTH
GREEN (GRD)	29/31 [737/787]	#10 EYELET
BROWN/WHITE	35/37 [889/940]	.25 [6.35] FLAG
BROWN	35/37 [889/940]	.25 [6.35] FLAG
WHITE	35/37 [889/940]	.60 [15.24] SKIN
BLACK	35/37 [889/940]	.60 [15.24] SKIN
BLUE	35/37 [889/940]	.60 [15.24] SKIN
RED	35/37 [889/940]	.60 [15.24] SKIN

NAMEPLATE DATA:	EXTERNAL CONNECTION DIAGRAM
MODEL: F48SP6L13 CUST. P/N: RA1056 HP: 1/2 ROT: CCWLE RPM: 1075/3 SPD. TYPE: UF FRAME: 48Y VOLTS: 208-230 PH: 1 AMPS: 2.7 (3.4 MAX.) HZ: 60 INS: B AMB: 60 °C DUTY: AIR OVER CAP.: 7.5 MFD/370V ENCL: SEMI-ENCL. CSA LOGO UL LOGO THERMALLY PROTECTED	

614131-106

PERFORMANCE CURVE NO.	TORQUE @1100 RPM (25°C)	APPROVED SAMPLE	UL COMPONENT		CSA	
			FILE	GUIDE	FILE	GUIDE
C23004	42.5 OZ. FT.	EX11257	E46412	PRGY2	LR43341	260-Ø-0

DRAWING REVISION	REVISION BY	DATE
B	C.ZHOU	09-20-2016
ECO	APPROVED BY D.LI	09-20-2016
ECO-0109606		

ECO DESCRIPTION
NOTES CHANGE FROM 615059-001 TO 10008025-002-001

COPYRIGHT REGAL-BELOIT AMERICA, INC. ALL RIGHTS RESERVED. PROPRIETARY AND CONFIDENTIAL INFORMATION - THIS DOCUMENT IS THE PROPERTY OF REGAL-BELOIT AMERICA, INC. (OWNER) AND CONTAINS OWNER'S PROPRIETARY INFORMATION. ANY PERSON, CORPORATION OR OTHER FIRM RECEIVING IT IS DEEMED, BY RECEIVING IT, TO AGREE THAT IT, AND/OR ANY PART OF IT, SHALL NOT BE DISCLOSED TO ANY PERSON, CORPORATION OR OTHER ENTITY, DUPLICATED, AND/OR USED, EXCEPT AS EXPRESSLY APPROVED IN WRITING IN ADVANCE BY OWNER. THIS DOCUMENT SHALL BE RETURNED TO OWNER UPON REQUEST. IT MAY BE SUBJECT TO CERTAIN RESTRICTIONS UNDER APPLICABLE EXPORT CONTROL LAWS AND REGULATIONS.

DRAWN BY: G.ZHAO	Regal Beloit America, Inc.
DATE: 08-31-2016	
APPROVED BY: C.ZHOU	
DATE: 08-31-2016	
PROCESS/FINISH	DESCRIPTION: MODEL-RFHP-48FR OUTLINE
	MATERIAL
THIRD ANGLE PROJECTION	SIZE DWG NO: RA1056
	SHEET 1