

4

3

2

1

GENERAL INFORMATION:

SHAFT RUNOUT: .001[.03] T.I.R. PER INCH LENGTH OF EXTENSION.

END PLAY: .010[.25] TO .063[1.60]

BEARINGS: SLEEVE

MOUNTING POSITION: HORIZONTAL

ELECTRICAL DATA:

OVERLOAD PROTECTOR: AUTOMATIC RESET (T.I. 7AM 036)

LEADS: NO. 18 GA., .03[.8] THK., 125°C XLP INSUL.

GROUND LEAD: NO. 18 GA., .03[.8] THK., GREEN INSUL.

NOTES:

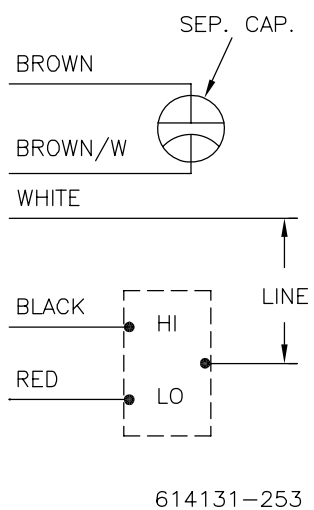
- 1. DISTRIBUTION: CUST. P/N: DSB1056H
GRAINGER: CUST. P/N: 4UU32

SEE NOTE 1

NAMEPLATE DATA:

MODEL NO.: F48V34A01
CUST. P/N: []
HP: 1/2
ROT: CCWLE
RPM: 1075/2SPD
TYPE: UF
FRAME: 48Y
VOLTS: 230
PH: 1
AMPS: 4.0
HZ: 60
INS: B
AMB: 40°C
DUTY: AIR OVER
ENCL.: SEMI-ENCLOSED
CAP.: 5 MFD/370 VAC
UL & CSA LOGO
THERMALLY PROTECTED

EXTERNAL CONNECTION DIAGRAM



614131-253

PERFORMANCE CURVE NO.	TORQUE @1075 RPM (25°C)	APPROVED SAMPLE	UL COMPONENT		CSA	
			FILE #	CCN #	FILE #	CLASS #
C32358	50.9 OZ. FT.	0442620A	E46412	PRGY2	LR43341	4211-01

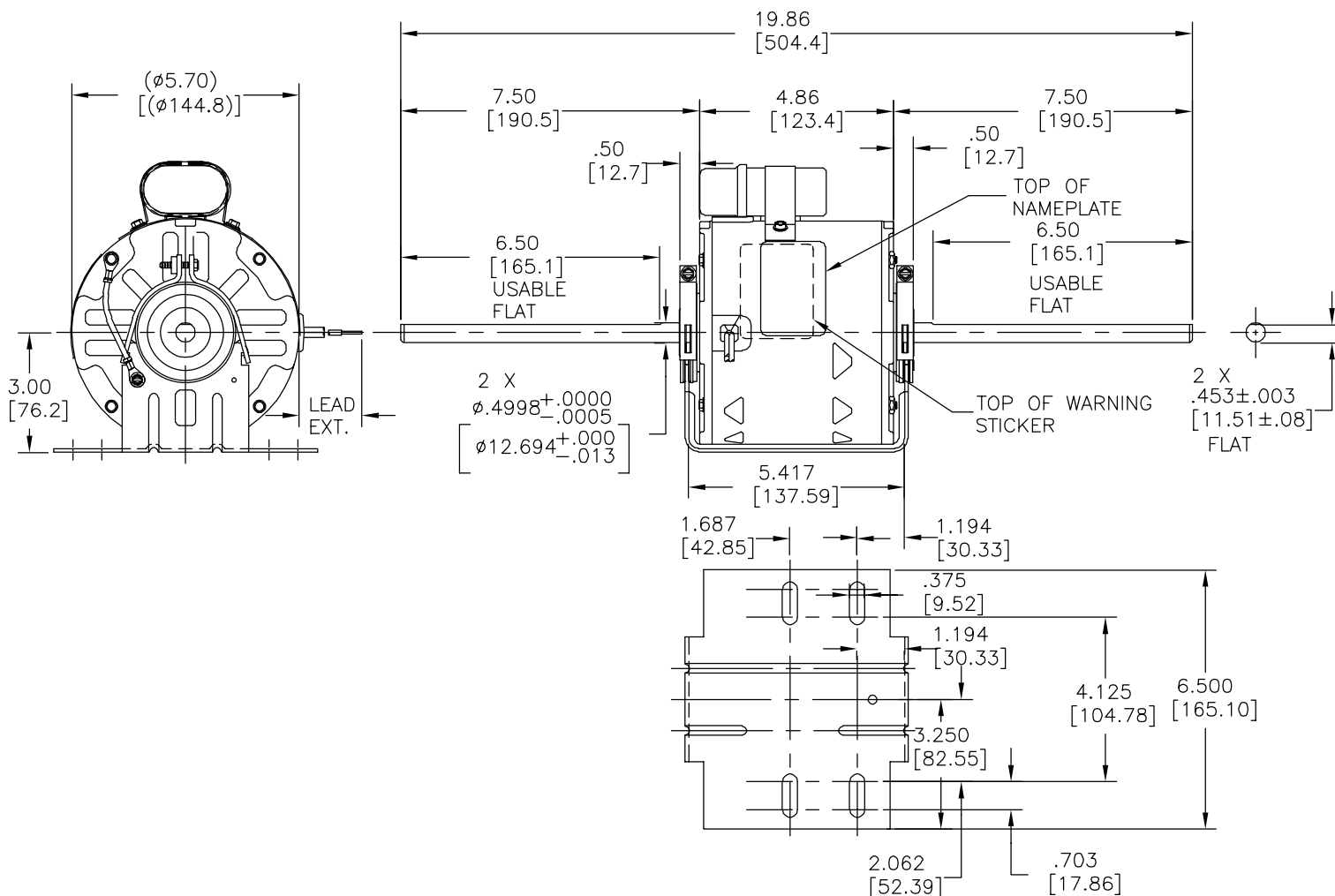
GEOMETRIC CHARACTERISTICS & SYMBOLS
 □ FLATNESS
 — STRAIGHTNESS
 < ANGLARITY
 ⊥ PERPENDICULARITY (SQUARENESS)
 // PARALLELISM
 ○ ROUNDNESS (CIRCULARITY)
 ∅ CYLINDRICITY
 △ PROFILE OF ANY SURFACE
 ∩ PROFILE OF ANY LINE
 ↗ RUNOUT
 ⊕ TRUE POSITION
 ⊙ CONCENTRICITY
 = SYMMETRY

ASME Y14.5M 1994

REGAL-BELOIT CORPORATION (RBC) PROVIDES TECHNICAL ASSISTANCE TO OUR CUSTOMERS IN SEVERAL AREAS. SINCE RBC DOES NOT RECEIVE ALL DATA CONCERNING THE USE AND APPLICATION OF THE MOTOR, THE SUITABILITY OF THE MOTOR FOR THE APPLICATION MUST BE DETERMINED BY THE CUSTOMER.

DIMENSIONS WITHOUT TOLERANCES ARE FOR REFERENCE ONLY.

REV	ECO	REV BY	DATE	APPD	DATE
E	0025544	I.MATA	04-26-2012	R.RASCON	04-26-2012



COLOR	LENGTH	TERMINAL OR STRIP LENGTH
GREEN (GRD)	CONNECTED TO BASE	#8 EYELET
BROWN	CONNECTED TO CAPACITOR	.25 [6.4] FLAG
BROWN/WHITE	CONNECTED TO CAPACITOR	.25 [6.4] FLAG
WHITE	21/23 [533/584]	.50 [12.7] SKIN
BLACK	21/23 [533/584]	.50 [12.7] SKIN
RED	21/23 [533/584]	.50 [12.7] SKIN

ENCLOSURE	CUST.	DISTRIBUTION SERVICE
MAIN FRAME - OLE	SEMI-ENCLOSED	
END FRAME - OLE	OPEN	
MAIN FRAME - LE	SEMI-ENCLOSED	
END FRAME - LE	OPEN	

DR BY:	DATE
J.WILLIAMS	09-15-2004
T.RILE	09-20-2004
EDS DATE	11-11-2011
FORMAT REV	G

CONFIDENTIAL: THIS DRAWING AND ITS INFORMATION ARE THE EXCLUSIVE AND CONFIDENTIAL PROPERTY OF REGAL-BELOIT CORPORATION AND ARE NOT TO BE DISCLOSED, DUPLICATED, DISTRIBUTED OR OTHERWISE USED WITHOUT THE WRITTEN CONSENT OF REGAL-BELOIT CORPORATION. -ALL RIGHTS RESERVED.



DESCRIPTION	SIZE	DWG NO	SCALE	SHEET
MODEL-RFHP-48FR OUTLINE	C	11819-021	NONE	1

4

3

2

1

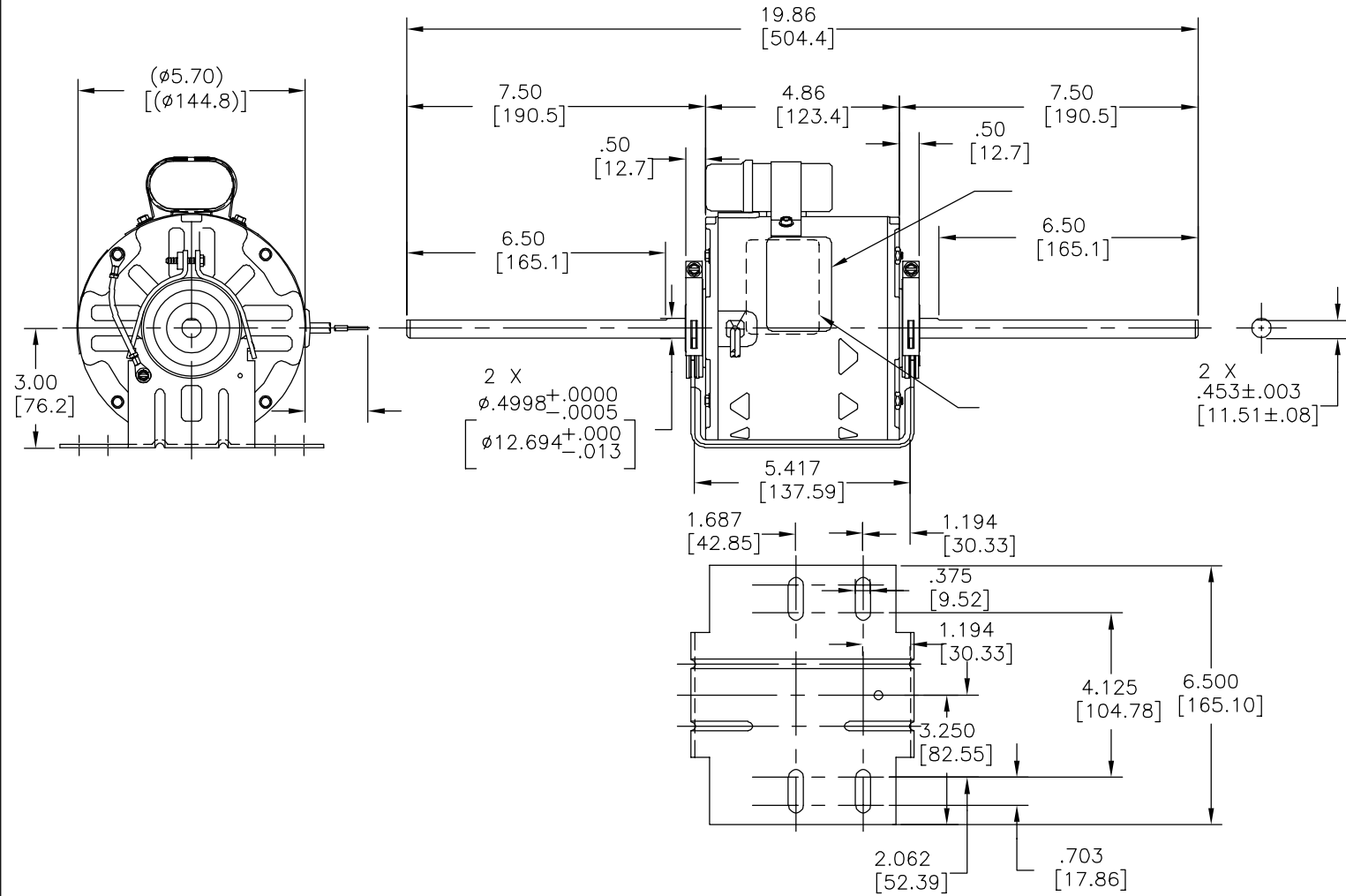
4

3

2

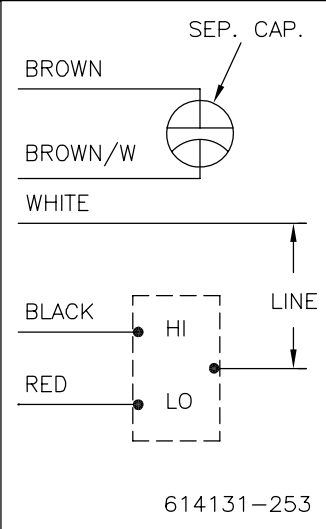
1

REVISION:	ECO	REVISADO POR:	FECHA:	APROBADO POR:	FECHA:
E	0025544	I.MATA	04-26-2012	R.RASCON	04-26-2012



SEE NOTE 1

MODEL NO.: F48V34A01
 CUST. P/N: []
 HP: 1/2
 ROT: CCWLE
 RPM: 1075/2SPD
 TYPE: UF
 FRAME: 48Y
 VOLTS: 230
 PH: 1
 AMPS: 4.0
 HZ: 60
 INS: B
 AMB: 40°C
 DUTY: AIR OVER
 ENCL.: SEMI-ENCLOSED
 CAP.: 5 MFD/370 VAC
 UL & CSA LOGO
 THERMALLY PROTECTED



		.25
		[6.4]
		.25
		[6.4]
	21/23	.50
	[533/584]	[12.7]
	21/23	.50
	[533/584]	[12.7]
	21/23	.50
	[533/584]	[12.7]

						CSA
C32358	50.9 OZ. FT.	0442620A	E46412	PRGY2	LR43341	4211-01

CARACTERISTICAS DE GEOMETRIA Y SIMBOLOS
 ▽ PLANICIDAD
 — RECTITUD
 < ANGULARIDAD
 ⊥ PERPENDICULARIDAD (A ESCUADRA)
 // PARALELISMO
 ○ REDONDEZ (CIRCULARIDAD)
 ∅ CILINDRICIDAD
 △ PERFIL DE CUALQUIER SUPERFICIE
 ∩ PERFIL DE CUALQUIER LINEA
 ↗ VARIACION
 ⊕ POSICION REAL
 ⊙ CONCENTRICIDAD
 = SIMETRIA
 ASME Y14.5M 1994

REGAL-BELOIT CORPORATION (RBC)
 PROVEE ASISTENCIA TECNICA A
 NUESTROS CLIENTES EN VARIAS AREAS.
 DESDE QUE RBC NO RECIBE TODOS
 LOS DATOS EN RELACION AL USO Y A
 LA APLICACION DEL MOTOR, LA
 APLICACION ADECUADA DEL MOTOR
 DEBE SER DETERMINADA POR EL
 CLIENTE.
 DIMENSIONES SIN TOLERANCIA SON
 DE REFERENCIA SOLAMENTE

DIBUJADO POR: J.WILLIAMS 09-15-2004
 APROBADO POR: T.RILE 09-20-2004
 TERCER ANGULO DE PROYECCION
 CONFIDENCIAL: ESTE DIBUJO Y SU INFORMACION SON PROPIEDAD DE USO EXCLUSIVO Y CONFIDENCIAL DE REGAL-BELOIT CORPORATION. Y NO DEBERAN SER REVELADOS, DUPLICADOS, DISTRIBUIDOS O USARSE DE OTRA MANERA SIN EL CONSENTIMIENTO ESCRITO DE REGAL-BELOIT CORPORATION. -TODOS LOS DERECHOS RESERVADOS.

REGAL-BELOIT CORPORATION
 DESCRIPCION: MODEL-RFHP-48FR OUTLINE
 TAMAÑO: C NUMERO DE DIBUJO: 11819-021
 ESCALA: NONE HOJA: 1

4

3

2

1

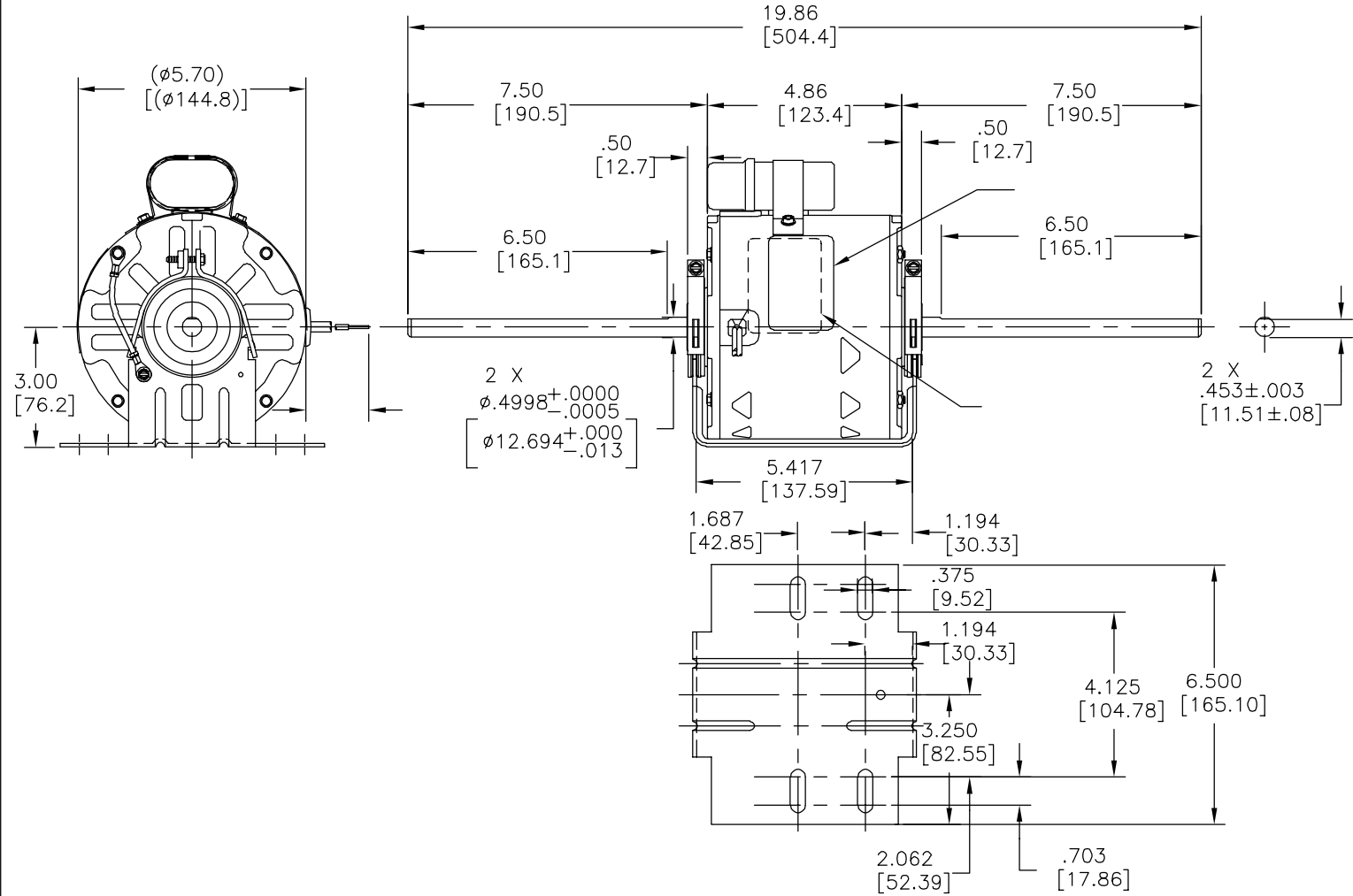
4

3

2

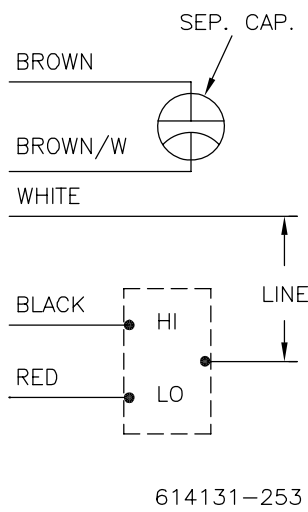
1

版本	ECO	编制	日期	批准	日期
E	0025544	I.MATA	04-26-2012	R.RASCON	04-26-2012



SEE NOTE 1

MODEL NO.: F48V34A01
 CUST. P/N: []
 HP: 1/2
 ROT: CCWLE
 RPM: 1075/2SPD
 TYPE: UF
 FRAME: 48Y
 VOLTS: 230
 PH: 1
 AMPS: 4.0
 HZ: 60
 INS: B
 AMB: 40°C
 DUTY: AIR OVER
 ENCL.: SEMI-ENCLOSED
 CAP.: 5 MFD/370 VAC
 UL & CSA LOGO
 THERMALLY PROTECTED



		.25
		[6.4]
		.25
		[6.4]
	21/23	.50
	[533/584]	[12.7]
	21/23	.50
	[533/584]	[12.7]
	21/23	.50
	[533/584]	[12.7]

						CSA
C32358	50.9 OZ. FT.	0442620A	E46412	PRGY2	LR43341	4211-01

- 形位公差
- 平面度
- 直线度
- ∠ 倾斜度
- ⊥ 垂直度
- // 平行度
- 圆度
- ⊘ 圆柱度
- ⊖ 面轮廓度
- △ 线轮廓度
- ↗ 圆跳动
- ⊕ 位置度
- ◎ 同轴度
- ≡ 对称度

ASME Y14.5M 1994

REGAL-BELOIT CORPORATION (RBC) 在个别领域为客户提供技术支持。鉴于RBC未收到任何涉及电机使用和应用环境的数据，电机的适用性由客户自己决定。

未注公差尺寸仅供参考。

绘图: J.WILLIAMS 09-15-2004
 批准: T.RILE 09-20-2004
 第三角投影
 机密: 本图纸及相关信息所有权归REGAL-BELOIT CORPORATION。未经REGAL-BELOIT CORPORATION书面授权, 不得泄露、复制、传播或作其他用途。—版权所有



名称: MODEL-RFHP-48FR OUTLINE
 图号: 11819-021

比例: NONE 页号: 1

4

3

2

1