

4

3

2

1

总技术要求:

轴跳动:

端部窜动量

轴承:

安装位置:

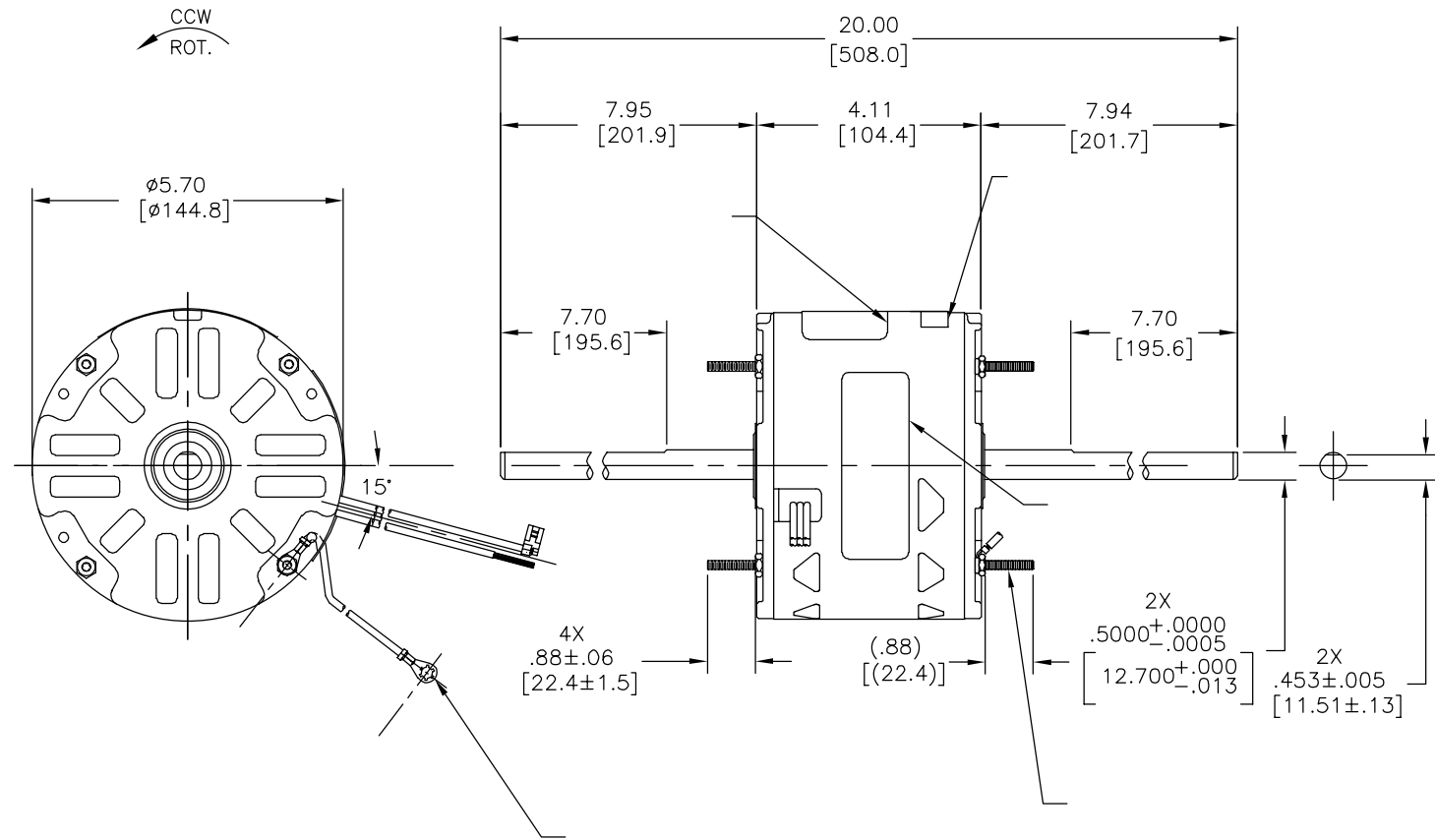
电气数据:

过载保护:

引线:

接地线:

版本	ECO	编制	日期	批准	日期
H	ECO-0034278	A.RODRIGUEZ	07-03-2013	D.MUÑOZ	07-03-2013



铭牌数据	外部数据线
MODEL NO.: F48L72A01 CUST. P/N: SA1036V1 HP: 1/3 ROT.: CCWLE RPM: 1075/3 SPD TYPE: UF FRAME: 48Y VOLTS: 208-230 PH: 1 AMPS: 2.2 (2.2 MAX) HZ: 60 INS.: B AMB.: 40°C DUTY: AIR OVER CAP.: 5 MFD/370V ENCL: SEMI-ENCL. UL LOGO CSA LOGO THERMALLY PROTECTED	

颜色	长度	端子或剥线长度
	30.0/33.0 [762/838]	
	36.0/39.0 [914/991]	
	36.0/39.0 [914/991]	
	36.0/39.0 [914/991]	
	36.0/39.0 [914/991]	
	36.0/39.0 [914/991]	
	36.0/39.0 [914/991]	
	36.0/39.0 [914/991]	

无引线端机壳	
无引线端端盖	
有引线端机壳	
有引线端端盖	

用户	DISTRIBUTION SERVICE
----	----------------------

性能曲线编号	转矩在 @ --- RPM (25° C)	批准样品	UL部件	CSA
C31662	28.4 OZ. FT.	98AC197A	文件号 指南	文件号 指南
			E46412 PRGY2	LR43341 4211-01

- 形位公差
- 平面度
- 直线度
- 倾斜度
- 垂直度
- 平行度
- 圆度
- 圆柱度
- 面轮廓度
- 线轮廓度
- 圆跳动
- 位置度
- 同轴度
- 对称度

ASME Y14.5M 1994

REGAL-BELOIT CORPORATION (RBC) 在个别领域为客户提供技术支持。鉴于 RBC 未收到任何涉及电机使用和应用环境的数据，电机的适用性由客户自己决定。

未注公差尺寸仅供参考。

绘图:	J.RUPERT	08-19-1998
批准:	T.RILE	08-20-1998
第二角投影		图纸格式发布日期 11-11-2011 图纸格式版本 H
机密: 本图纸及相关信息所有权归REGAL-BELOIT CORPORATION。未经REGAL-BELOIT CORPORATION书面授权, 不得泄露、复制、传播或作其他用途。--版权所有		

REGAL REGAL-BELOIT CORPORATION	
名称	MODEL-RFHP-48FR OUTLINE
图幅	C
图号	SA1036V1
比例	NONE
页号	1

4

3

2

1

REV	ECO	REV BY	DATE	APPD	DATE
H	ECO-0034278	A.RODRIGUEZ	07-03-2013	D.MUÑOZ	07-03-2013

GENERAL INFORMATION:

SHAFT RUNOUT: .001[.03] T.I.R. PER INCH LENGTH OF EXTENSION.

END PLAY: .010[.25] TO .063[1.60]

BEARINGS: SLEEVE

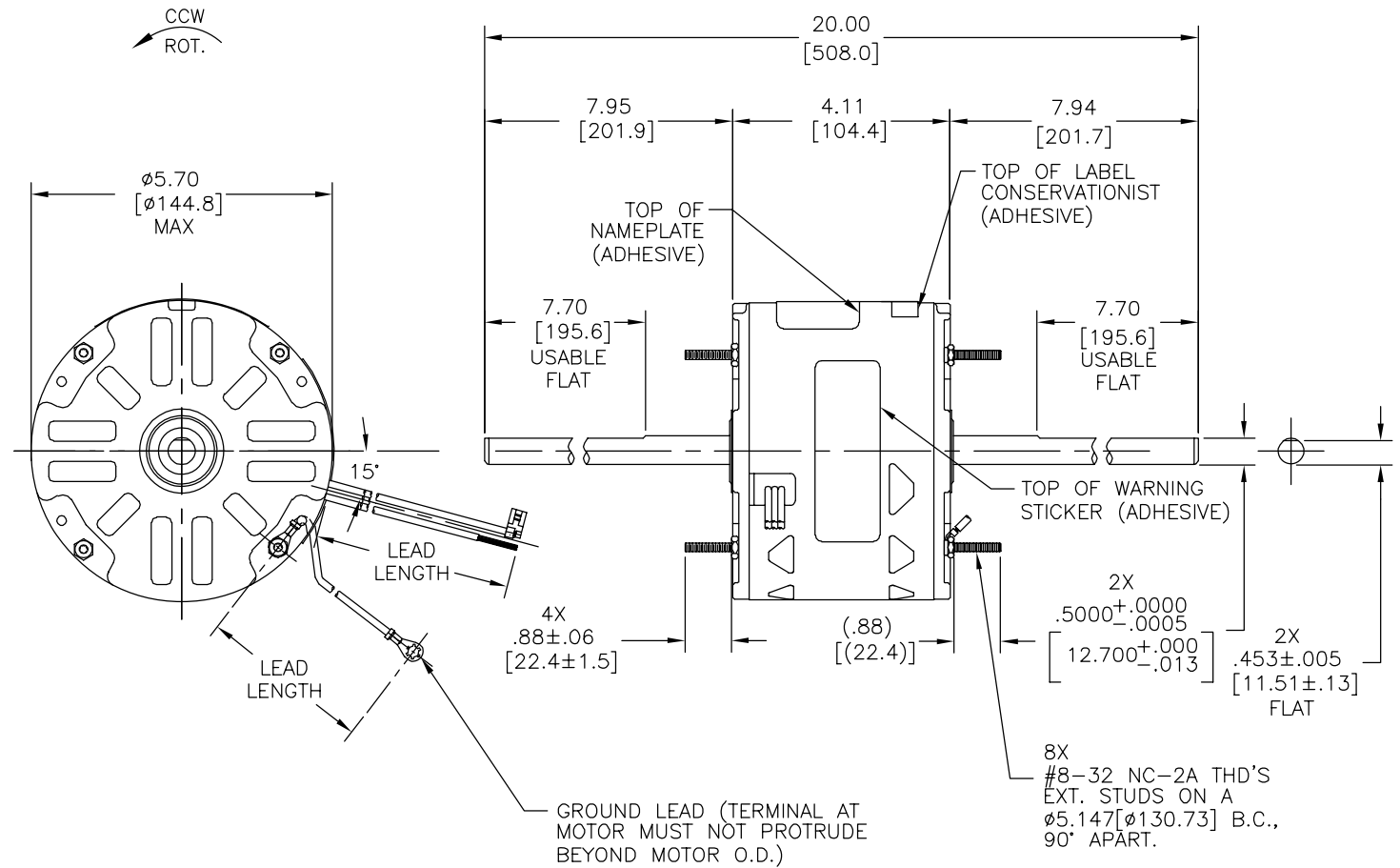
MOUNTING POSITION: HORIZONTAL

ELECTRICAL DATA:

OVERLOAD PROTECTOR: AUTOMATIC RESET (SENSATA 7AM 036)

LEADS: NO. 18 GA., .06[1.5] THK. PVC 105°C INSUL.

GROUND LEAD: NO. 18 GA., .03[.08] THK. (GREEN) INSUL.



COLOR	LENGTH	TERMINAL OR STRIP LENGTH
GREEN (GRD)	30.0/33.0 [762/838]	#10 EYELET
BROWN/WHITE	36.0/39.0 [914/991]	.25[6.4] FLAG
BROWN	36.0/39.0 [914/991]	.25[6.4] FLAG
WHITE	36.0/39.0 [914/991]	.50[12.7] SKIN
BLACK	36.0/39.0 [914/991]	.50[12.7] SKIN
BLUE	36.0/39.0 [914/991]	.50[12.7] SKIN
RED	36.0/39.0 [914/991]	.50[12.7] SKIN

MAIN FRAME - OLE	SEMI-ENCLOSED
END FRAME - OLE	OPEN
MAIN FRAME - LE	SEMI-ENCLOSED
END FRAME - LE	OPEN

CUSTOMER	DISTRIBUTION SERVICE
----------	----------------------

NAMEPLATE DATA:	EXTERNAL CONNECTION DIAGRAM
MODEL NO.: F48L72A01 CUST. P/N: SA1036V1 HP: 1/3 ROT.: CCWLE RPM: 1075/3 SPD TYPE: UF FRAME: 48Y VOLTS: 208-230 PH: 1 AMPS: 2.2 (2.2 MAX) HZ: 60 INS.: B AMB.: 40°C DUTY: AIR OVER CAP.: 5 MFD/370V ENCL: SEMI-ENCL. UL LOGO CSA LOGO THERMALLY PROTECTED	<p>614131-106</p>

PERFORMANCE CURVE NO.	TORQUE @ 1075 RPM (25°C)	APPROVED SAMPLE	UL COMPONENT FILE #	CCN #	CSA FILE #	CLASS #
C31662	28.4 OZ. FT.	98AC197A	E46412	PRGY2	LR43341	4211-01

- GEOMETRIC CHARACTERISTICS & SYMBOLS
- ▭ FLATNESS
 - STRAIGHTNESS
 - ∠ ANGULARITY
 - ⊥ PERPENDICULARITY (SQUARENESS)
 - ∥ PARALLELISM
 - ROUNDNESS (CIRCULARITY)
 - ⊘ CYLINDRICITY
 - △ PROFILE OF ANY SURFACE
 - ⌒ PROFILE OF ANY LINE
 - ∩ RUNOUT
 - ⊕ TRUE POSITION
 - ◎ CONCENTRICITY
 - = SYMMETRY
- ASME Y14.5M 1994

REGAL-BELOIT CORPORATION (RBC) PROVIDES TECHNICAL ASSISTANCE TO OUR CUSTOMERS IN SEVERAL AREAS. SINCE RBC DOES NOT RECEIVE ALL DATA CONCERNING THE USE AND APPLICATION OF THE MOTOR, THE SUITABILITY OF THE MOTOR FOR THE APPLICATION MUST BE DETERMINED BY THE CUSTOMER.

DIMENSIONS WITHOUT TOLERANCES ARE FOR REFERENCE ONLY.

DR BY: J.RUPERT 08-19-1998

APPD: T.RILEY 08-20-1998

THIRD ANGLE PROJECTION

EDS DATE 11-11-2011
FORMAT REV H

CONFIDENTIAL: THIS DRAWING AND ITS INFORMATION ARE THE EXCLUSIVE AND CONFIDENTIAL PROPERTY OF REGAL-BELOIT CORPORATION AND ARE NOT TO BE DISCLOSED, DUPLICATED, DISTRIBUTED OR OTHERWISE USED WITHOUT THE WRITTEN CONSENT OF REGAL-BELOIT CORPORATION. -ALL RIGHTS RESERVED.

REGAL REGAL-BELOIT CORPORATION

DESCRIPTION: MODEL-RFHP-48FR OUTLINE

SIZE C DWG NO SA1036V1

SCALE NONE SHEET 1

4

3

2

1

INFORMACION GENERAL:

OSCILACION DE FLECHA: .001[.03] L.T.I. POR 1.00[25.4] LONG. DE EXTENSION.

JUEGO AXIAL: .10[.25] A .063[1.60]

BALEROS: MANGA

POSICION DEL MONTAJE: HORIZONTAL

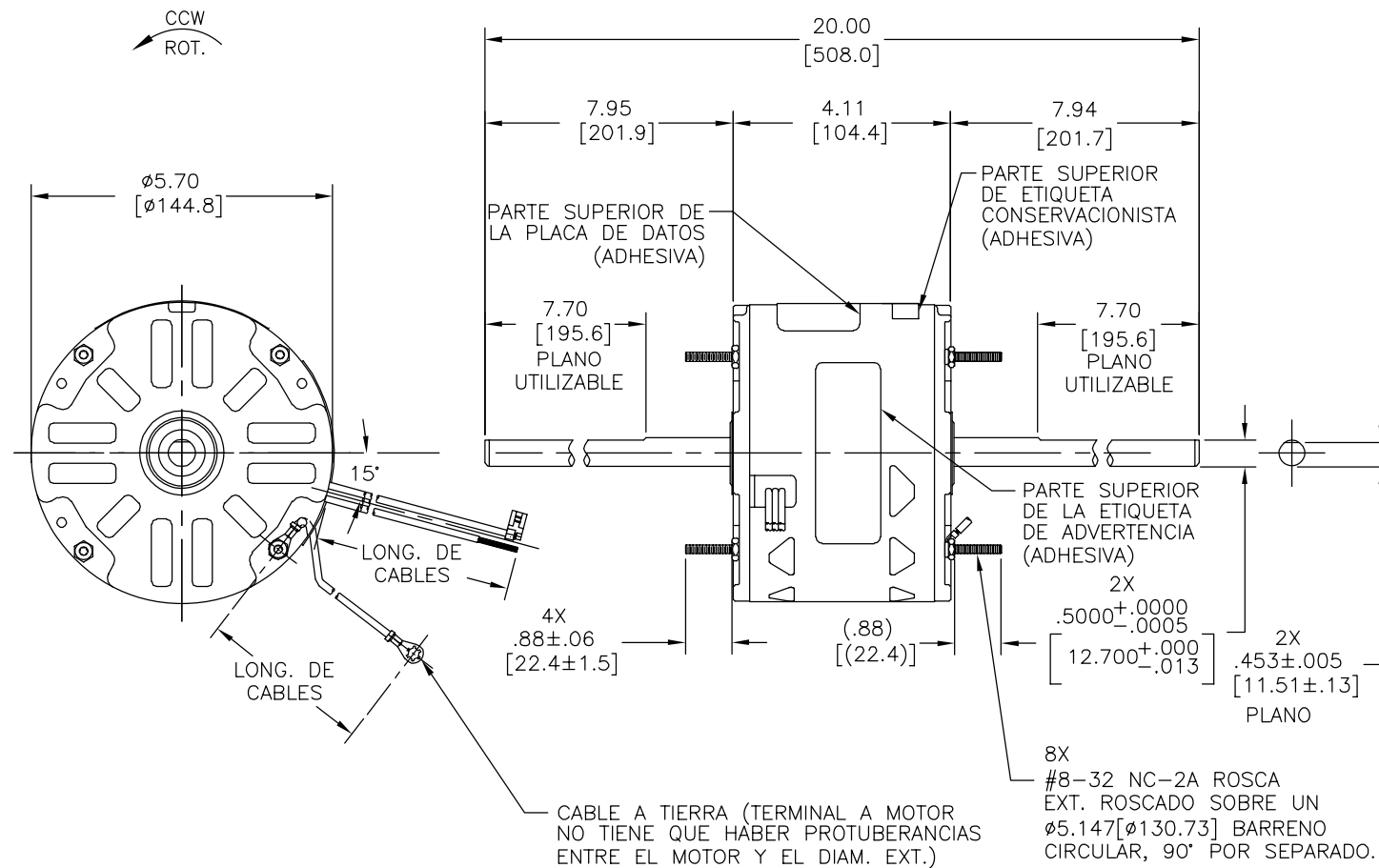
INFORMACION ELECTRICA:

PROTECTOR DE SOBRECARGA: REINICIO AUTOMATICO (SENSATA 7AM 036)

CABLES: CALIBRE #18, .06[1.5] GROSOR PVC 105°C AISLADOS

CABLE DE TIERRA: CALIBRE #18, .03[.08] GROSOR (VERDE) AISLADO

REVISION:	ECO	REVISADO POR:	FECHA:	APROBADO POR:	FECHA:
H	ECO-0034278	A.RODRIGUEZ	07-03-2013	D.MUÑOZ	07-03-2013



INFORMACION DE ETIQUETA:	DIAGRAMA DE CONEXION EXTERNA
MODEL NO.: F48L72A01 CUST. P/N: SA1036V1 HP: 1/3 ROT.: CCWLE RPM: 1075/3 SPD TYPE: UF FRAME: 48Y VOLTS: 208-230 PH: 1 AMPS: 2.2 (2.2 MAX) HZ: 60 INS.: B AMB.: 40°C DUTY: AIR OVER CAP.: 5 MFD/370V ENCL: SEMI-ENCL. UL LOGO CSA LOGO THERMALLY PROTECTED	

CURVAS DE FUNCIONAMIENTO	TORSION @ 1075 RPM (25°C)	MUESTRA APROBADA	COMPONENTE UL		CSA	
C31662	28.4 OZ. FT.	98AC197A	#ARCHIVO	CCN #	#ARCHIVO	CLASE #
			E46412	PRGY2	LR43341	4211-01

VERDE (TIERRA)	30.0/33.0 [762/838]	#10 OJAL
CAFE/BLANCO	36.0/39.0 [914/991]	.25[6.4] BANDERA
CAFE	36.0/39.0 [914/991]	.25[6.4] BANDERA
BLANCO	36.0/39.0 [914/991]	.50[12.7] FORRO
NEGRO	36.0/39.0 [914/991]	.50[12.7] FORRO
AZUL	36.0/39.0 [914/991]	.50[12.7] FORRO
ROJO	36.0/39.0 [914/991]	.50[12.7] FORRO
COLOR	LONGITUD	TERMINAL O LONGITUD DE DESFORRE

CARCASA - LOC	SEMI-CERRADO
TAPA - LOC	ABIERTO
CARCASA - LC	SEMI-CERRADO
TAPA - LC	ABIERTO

CLIENTE	DISTRIBUTION SERVICE
---------	----------------------

- CARACTERISTICAS DE GEOMETRIA Y SIMBOLOS
- PLANICIDAD
 - RECTITUD
 - ∠ ANGULARIDAD
 - ⊥ PERPENDICULARIDAD (A ESCUADRA)
 - // PARALELISMO
 - REDONDEZ (CIRCULARIDAD)
 - ∅ CILINDRICIDAD
 - △ PERFIL DE CUALQUIER SUPERFICIE
 - ∩ PERFIL DE CUALQUIER LINEA
 - ∕ VARIACION
 - ⊕ POSICION REAL
 - ⊙ CONCENTRICIDAD
 - = SIMETRIA
- ASME Y14.5M 1994

REGAL-BELOIT CORPORATION (RBC) PROVEE ASISTENCIA TECNICA A NUESTROS CLIENTES EN VARIAS AREAS. DESDE QUE RBC NO RECIBE TODOS LOS DATOS EN RELACION AL USO Y A LA APLICACION DEL MOTOR, LA APLICACION ADECUADA DEL MOTOR DEBE SER DETERMINADA POR EL CLIENTE.

DIMENSIONES SIN TOLERANCIA SON DE REFERENCIA SOLAMENTE

DIBUJADO POR: J.RUPERT 08-19-1998

APROBADO POR: T.RILE 08-20-1998

TERCER ANGULO DE PROYECCION

FECHA EDS: 11-11-2011

REV. FORMATO: H

CONFIDENCIAL: ESTE DIBUJO Y SU INFORMACION SON PROPIEDAD DE USO EXCLUSIVO Y CONFIDENCIAL DE REGAL-BELOIT CORPORATION. Y NO DEBERAN SER REVELADOS, DUPLICADOS, DISTRIBUIDOS O USARSE DE OTRA MANERA SIN EL CONSENTIMIENTO ESCRITO DE REGAL-BELOIT CORPORATION. -TODOS LOS DERECHOS RESERVADOS.

REGAL REGAL-BELOIT CORPORATION

DESCRIPCION: MODEL-RFHP-48FR OUTLINE

TAMAÑO: C NUMERO DE DIBUJO: SA1036V1

ESCALA: NONE HOJA: 1

4

3

2

1