

4

3

2

1

REV	ECO	REV BY	DATE	APPD	DATE
C	ECO-0024313	C.ZHANG	02-16-2012	B.C.SHEN	02-16-2011

GENERAL INFORMATION:

SHAFT RUNOUT: .001[.03] T.I.R. PER INCH LENGTH OF EXTENSION.
 END PLAY: .010[.25] TO .063[1.60]
 BEARINGS: SLEEVE
 MOUNTING POSITION: HORIZONTAL

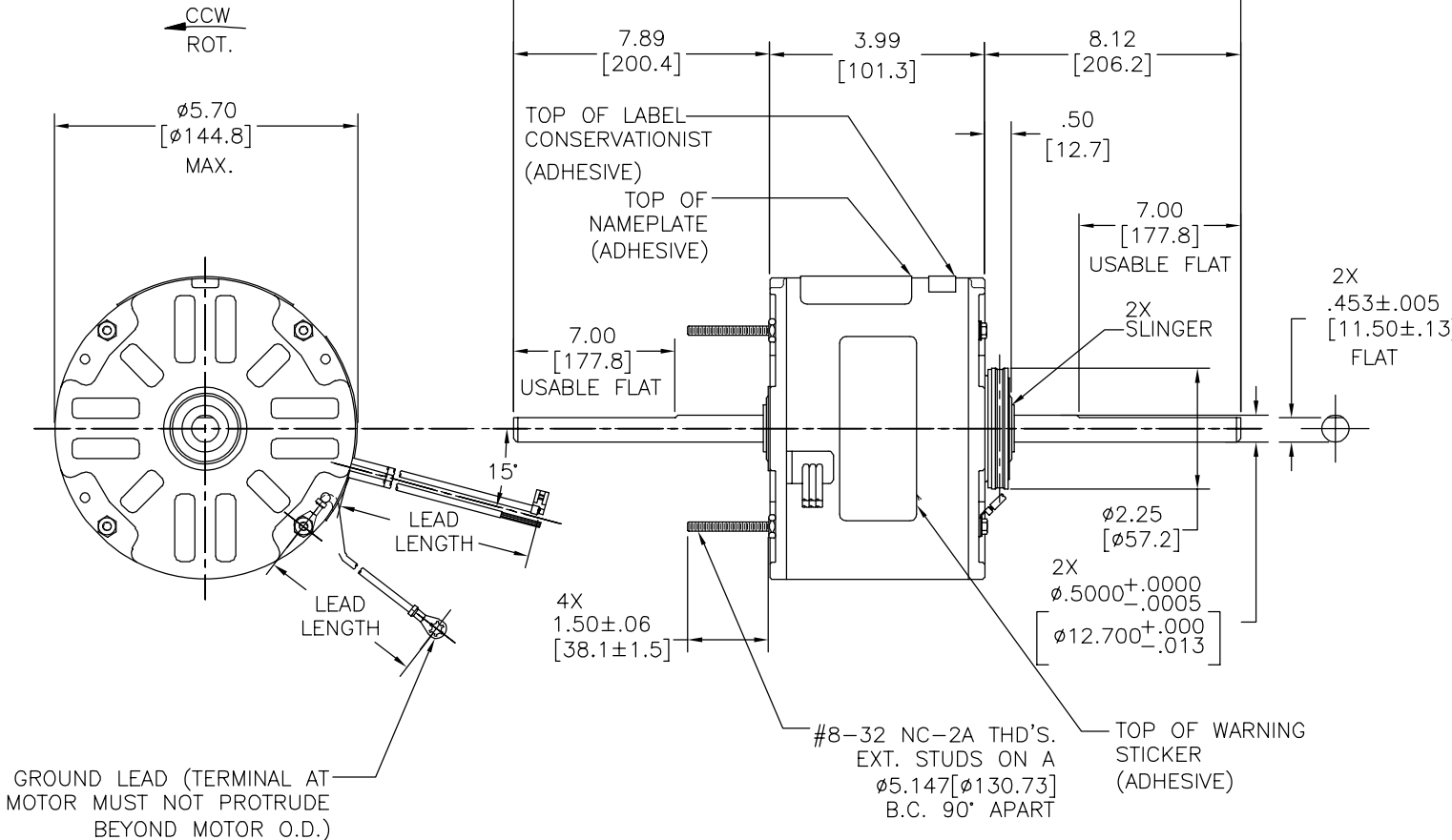
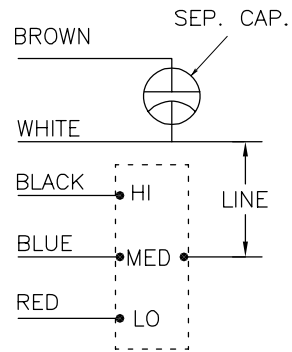
ELECTRICAL DATA:

OVERLOAD PROTECTOR: AUTOMATIC RESET (T.I. 7AM 032)
 LEADS: NO. 18 GA., .06[1.5] THK. PVC 105°C INSUL.
 GROUND LEAD: NO. 18 GA., .03[.8] THK., (GREEN) INSUL.

NAMEPLATE DATA:

EXTERNAL CONNECTION DIAGRAM

MODEL NO.: F48SF6L8
 CUST. P/N: 7RA1026
 HP: 1/4
 ROT.: CCWLE
 RPM: 1075/3 SPD.
 TYPE: UF
 FRAME: 48Y
 VOLTS: 277
 PH: 1
 AMPS: 1.3(1.6 MAX.)
 HZ: 60
 INS.: A
 AMB.: 40° C
 DUTY: AIR OVER
 CAP.: 5 MFD/370V
 ENCL: SEMI-ENCL.
 CSA LOGO
 UL LOGO
 THERMALLY PROTECTED



GREEN(GRD)	29.0/31.0 [737/787]	#10 EYELET
BROWN	35.0/37.0 [889/940]	.25[6.4] FLAG
WHITE	35.0/37.0 [889/940]	.25[6.4] FLAG
BLACK	35.0/37.0 [889/940]	.60[15.2] SKIN
BLUE	35.0/37.0 [889/940]	.60[15.2] SKIN
RED	35.0/37.0 [889/940]	.60[15.2] SKIN
COLOR	LENGTH	TERMINAL OR STRIP LENGTH

NOTE: 615059-001 RESILENT MOUNTING KIT TO BE PACKED WITH MOTOR.

MAIN FRAME - OLE	ENCLOSED
END FRAME - OLE	ENCLOSED
MAIN FRAME - LE	ENCLOSED
END FRAME - LE	OPEN

CUSTOMER	DISTRIBUTION SERVICE
----------	----------------------

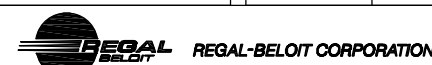
PERFORMANCE CURVE NO.	TORQUE @ 1075 RPM (25°C)	APPROVED SAMPLE	UL COMPONENT		CSA	
C23306	18.2 OZ. FT.	EX11391	FILE #	CCN #	FILE #	CLASS #
			E46412	PRGY2	LR43341	4211-01

GEOMETRIC CHARACTERISTICS & SYMBOLS
 □ FLATNESS
 — STRAIGHTNESS
 ∠ ANGULARITY
 ⊥ PERPENDICULARITY (SQUARENESS)
 ∥ PARALLELISM
 ○ ROUNDNESS (CIRCULARITY)
 ⌀ CYLINDRICITY
 △ PROFILE OF ANY SURFACE
 ∩ PROFILE OF ANY LINE
 ↗ RUNOUT
 ⊕ TRUE POSITION
 ⊙ CONCENTRICITY
 = SYMMETRY
 ASME Y14.5M 1994

REGAL-BELOIT CORPORATION (RBC) PROVIDES TECHNICAL ASSISTANCE TO OUR CUSTOMERS IN SEVERAL AREAS. SINCE RBC DOES NOT RECEIVE ALL DATA CONCERNING THE USE AND APPLICATION OF THE MOTOR, THE SUITABILITY OF THE MOTOR FOR THE APPLICATION MUST BE DETERMINED BY THE CUSTOMER.

DIMENSIONS WITHOUT TOLERANCES ARE FOR REFERENCE ONLY.

DR BY: C.ZHANG 02-16-2012
 APPD: B.C.SHEN 02-16-2012
 THIRD ANGLE PROJECTION
 EDS DATE 11-11-2011
 FORMAT REV G
 CONFIDENTIAL: THIS DRAWING AND ITS INFORMATION ARE THE EXCLUSIVE AND CONFIDENTIAL PROPERTY OF REGAL-BELOIT CORPORATION AND ARE NOT TO BE DISCLOSED, DUPLICATED, DISTRIBUTED OR OTHERWISE USED WITHOUT THE WRITTEN CONSENT OF REGAL-BELOIT CORPORATION. -ALL RIGHTS RESERVED.



DESCRIPTION	
MODEL-RFHP-48FR OUTLINE	
SIZE C	DWG NO 7RA1026
SCALE NONE	SHEET 1

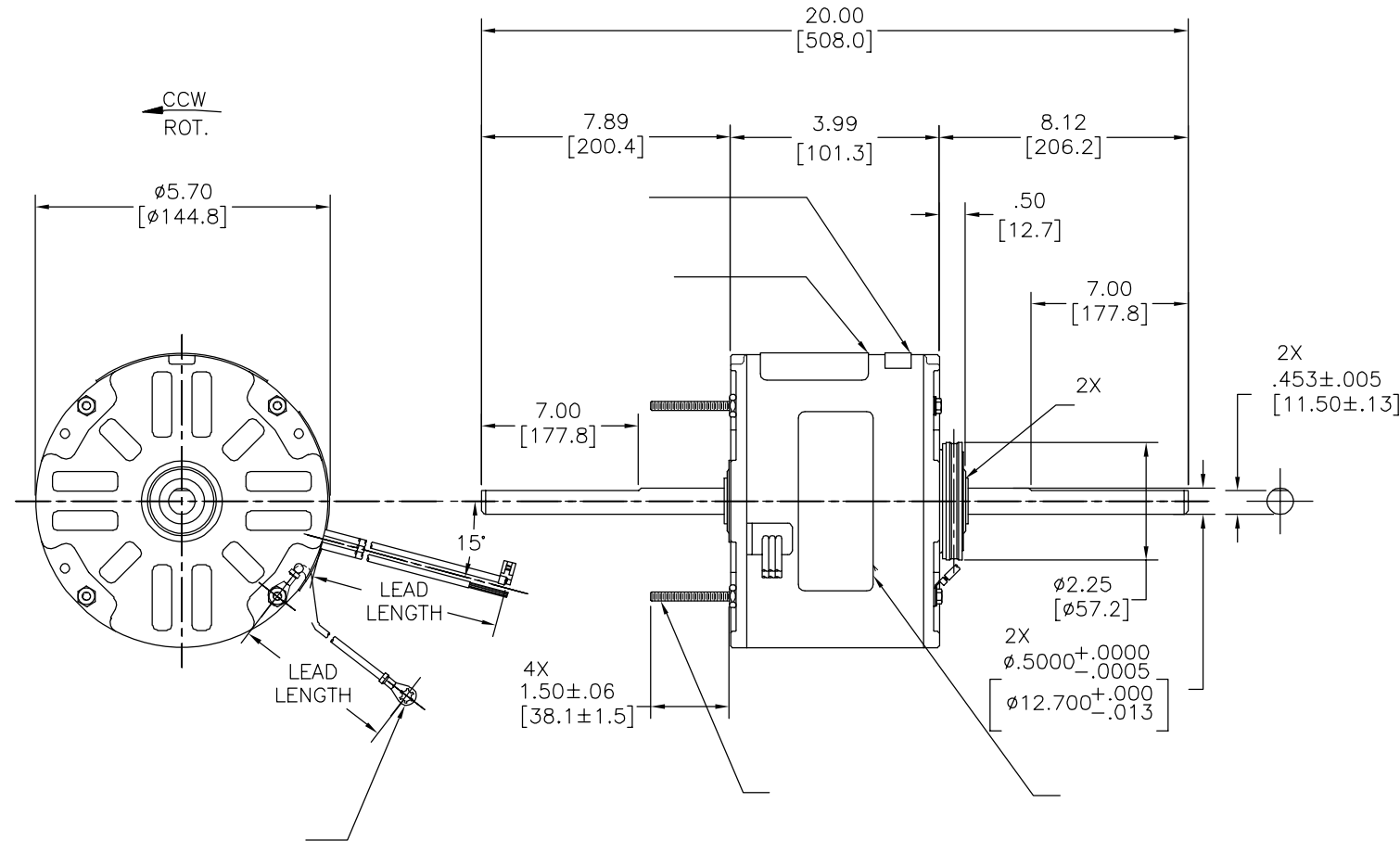
4

3

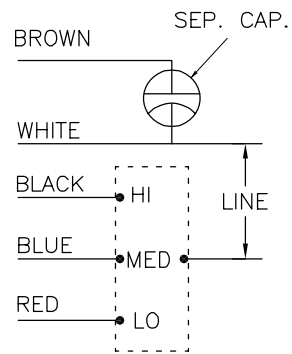
2

1

REVISION:	ECO	REVISADO POR:	FECHA:	APROBADO POR:	FECHA:
C	ECO-0024313	C.ZHANG	02-16-2012	B.C.SHEN	02-16-2011



MODEL NO.: F48SF6L8
 CUST. P/N: 7RA1026
 HP: 1/4
 ROT.: CCWLE
 RPM: 1075/3 SPD.
 TYPE: UF
 FRAME: 48Y
 VOLTS: 277
 PH: 1
 AMPS: 1.3(1.6 MAX.)
 HZ: 60
 INS.: A
 AMB.: 40° C
 DUTY: AIR OVER
 CAP.: 5 MFD/370V
 ENCL: SEMI-ENCL.
 CSA LOGO
 UL LOGO
 THERMALLY PROTECTED



614131-015

	29.0/31.0	
	[737/787]	
	35.0/37.0	
	[889/940]	
	35.0/37.0	
	[889/940]	
	35.0/37.0	
	[889/940]	
	35.0/37.0	
	[889/940]	

C23306 18.2 OZ. FT. EX11391 E46412 PRGY2 LR43341 4211-01

DISTRIBUTION SERVICE

CARACTERISTICAS DE GEOMETRIA Y SIMBOLOS
 ▮ PLANICIDAD
 — RECTITUD
 < ANGULARIDAD
 ⊥ PERPENDICULARIDAD (A ESCUADRA)
 // PARALELISMO
 ○ REDONDEZ (CIRCULARIDAD)
 ∅ CILINDRICIDAD
 △ PERFIL DE CUALQUIER SUPERFICIE
 ▲ PERFIL DE CUALQUIER LINEA
 ↗ VARIACION
 ⊕ POSICION REAL
 ⊙ CONCENTRICIDAD
 = SIMETRIA
 ASME Y14.5M 1994

REGAL-BELOIT CORPORATION (RBC) PROVEE ASISTENCIA TECNICA A NUESTROS CLIENTES EN VARIAS AREAS. DESDE QUE RBC NO RECIBE TODOS LOS DATOS EN RELACION AL USO Y A LA APLICACION DEL MOTOR, LA APLICACION ADECUADA DEL MOTOR DEBE SER DETERMINADA POR EL CLIENTE.

DIMENSIONES SIN TOLERANCIA SON DE REFERENCIA SOLAMENTE

DIBUJADO POR: C.ZHANG 02-16-2012

APROBADO POR: B.C.SHEN 02-16-2012

TERCER ANGULO DE PROYECCION

CONFIDENCIAL: ESTE DIBUJO Y SU INFORMACION SON PROPIEDAD DE USO EXCLUSIVO Y CONFIDENCIAL DE REGAL-BELOIT CORPORATION. Y NO DEBERAN SER REVELADOS, DUPLICADOS, DISTRIBUIDOS O USARSE DE OTRA MANERA SIN EL CONSENTIMIENTO ESCRITO DE REGAL-BELOIT CORPORATION. -TODOS LOS DERECHOS RESERVADOS.

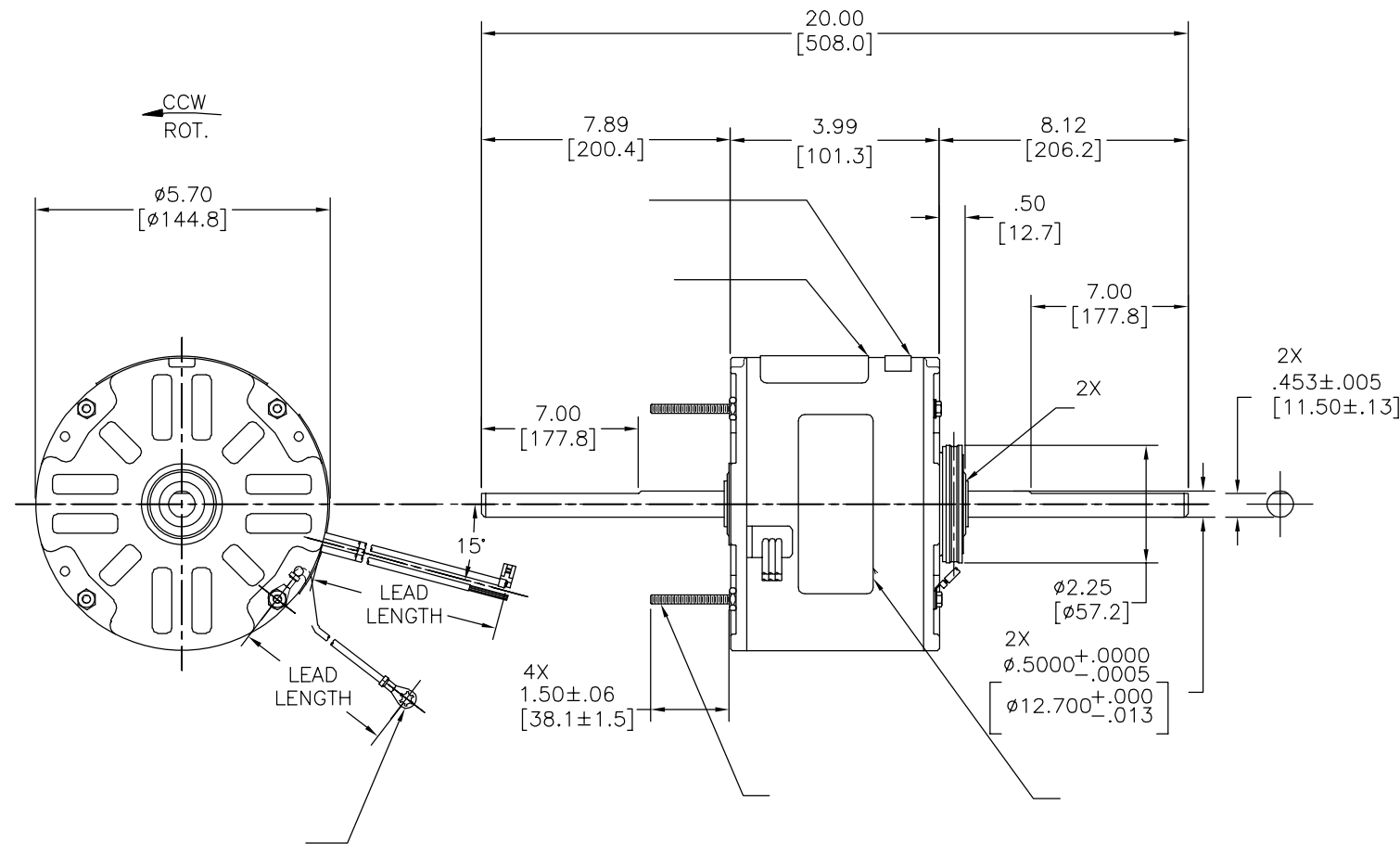


DESCRIPCION: MODEL-RFHP-48FR OUTLINE

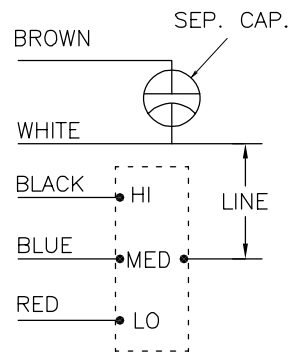
TAMAÑO: C NUMERO DE DIBUJO: 7RA1026

ESCALA: NONE HOJA: 1

版本	ECO	编制	日期	批准	日期
C	ECO-0024313	C.ZHANG	02-16-2012	B.C.SHEN	02-16-2011



MODEL NO.: F48SF6L8
 CUST. P/N: 7RA1026
 HP: 1/4
 ROT.: CCWLE
 RPM: 1075/3 SPD.
 TYPE: UF
 FRAME: 48Y
 VOLTS: 277
 PH: 1
 AMPS: 1.3(1.6 MAX.)
 HZ: 60
 INS.: A
 AMB.: 40° C
 DUTY: AIR OVER
 CAP.: 5 MFD/370V
 ENCL: SEMI-ENCL.
 CSA LOGO
 UL LOGO
 THERMALLY PROTECTED



614131-015

	29.0/31.0	
	[737/787]	
	35.0/37.0	
	[889/940]	
	35.0/37.0	
	[889/940]	
	35.0/37.0	
	[889/940]	
	35.0/37.0	
	[889/940]	

DISTRIBUTION SERVICE

- 形位公差
- 平面度
- 直线度
- ∠ 倾斜度
- ⊥ 垂直度
- // 平行度
- 圆度
- ⊘ 圆柱度
- △ 面轮廓度
- ∩ 线轮廓度
- ↗ 圆跳动
- ⊕ 位置度
- ⊙ 同轴度
- ≡ 对称度

ASME Y14.5M 1994

REGAL-BELOIT CORPORATION (RBC) 在个别领域为客户提供技术支持。鉴于RBC未收到任何涉及电机使用和应用环境的数据，电机的适用性由客户自己决定。

未注公差尺寸仅供参考。

绘图: C.ZHANG 02-16-2012

批准: B.C.SHEN 02-16-2012

第三角投影 图纸格式发布日期 11-11-2011
 图纸格式版本 G

机密: 本图纸及相关信息所有权归REGAL-BELOIT CORPORATION。未经REGAL-BELOIT CORPORATION书面授权, 不得泄露、复制或传播或作其他用途。—版权所有



名称
 MODEL-RFHP-48FR
 OUTLINE

图幅 C 图号 7RA1026

比例 NONE 页号 1