

GENERAL INFORMATION:

SHAFT RUNOUT: .001[.03] T.I.R. PER INCH LENGTH OF EXTENSION

END PLAY: .010[.25] TO .063[1.60]

BEARINGS: SLEEVE

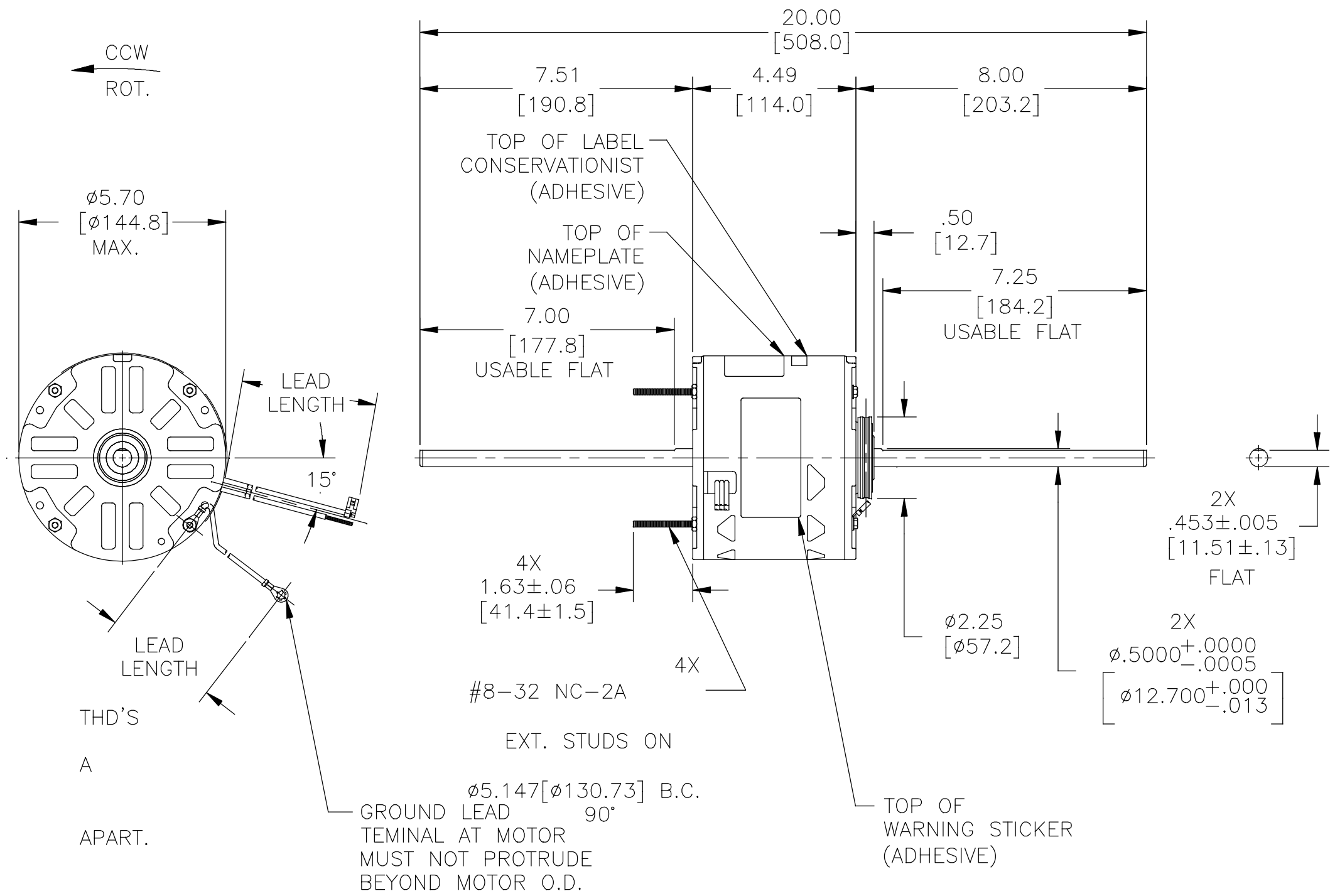
MOUNTING POSITION: HORIZONTAL

ELECTRICAL DATA:

OVERLOAD PROTECTOR: AUTOMATIC RESET (SENSATA 7AM 036)

LEADS: NO. 18 GA., .06[1.5] THK. 105°C PVC INSUL.

GROUND LEAD: NO. 18 GA., .03[.8] THK. (GREEN/YEL) INSUL.

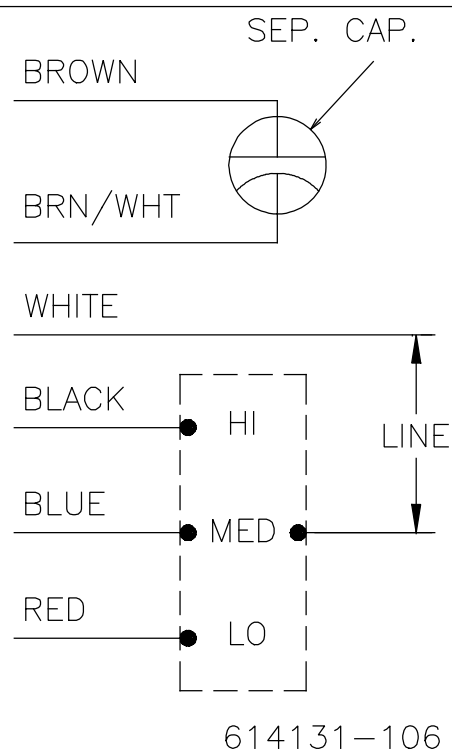


SEE NOTE 2

NAMEPLATE DATA:

MODEL: F48V24A01
 CUST. P/N: []
 HP: 1/4
 ROT: CCWLE
 RPM: 1550/3 SPD.
 TYPE: UF
 FRAME: 48Y
 VOLTS: 208-230
 PH: 1
 AMPS: 2.2
 HZ: 50/60
 INS: B
 AMB: 40 °C
 DUTY: AIR OVER
 CAP.: 4 MFD/370V
 ENCL: SEMI-ENCL.
 CSA LOGO
 UL LOGO
 THERMALLY PROTECTED

EXTERNAL CONNECTION DIAGRAM



GRN/YEL(GRD)	11/13[279/330]	#10 EYELET
BROWN/WHITE	11/13[279/330]	.25[6.4] FLAG
BROWN	11/13[279/330]	.25[6.4] FLAG
WHITE	13/15[330/381]	.50[12.7] SKIN
BLACK	13/15[330/381]	.50[12.7] SKIN
BLUE	13/15[330/381]	.50[12.7] SKIN
RED	13/15[330/381]	.50[12.7] SKIN

COLOR	LENGTH	TERMINAL OR STRIP LENGTH
-------	--------	--------------------------

LEAD DATA

DRAWING REVISION B	REVISION BY HANNA.ZOU	DATE 12-19-2018
ECO	APPROVED BY DEXIAN.LI	DATE 12-19-2018
ECO DESCRIPTION SEE ECO		

COPYRIGHT REGAL BELOIT AMERICA, INC. ALL RIGHTS RESERVED. PROPRIETARY AND CONFIDENTIAL INFORMATION - THIS DOCUMENT IS THE PROPERTY OF REGAL BELOIT AMERICA, INC. (OWNER) AND CONTAINS OWNER'S PROPRIETARY INFORMATION. ANY PERSON, CORPORATION OR OTHER FIRM RECEIVING IT IS DEEMED, BY RECEIVING IT, TO AGREE THAT IT, AND/OR ANY PART OF IT, SHALL NOT BE DISCLOSED TO ANY PERSON, CORPORATION OR OTHER ENTITY, DUPLICATED, AND/OR USED, EXCEPT AS EXPRESSLY APPROVED IN WRITING IN ADVANCE BY OWNER. THIS DOCUMENT SHALL BE RETURNED TO OWNER UPON REQUEST. IT MAY BE SUBJECT TO CERTAIN RESTRICTIONS UNDER APPLICABLE EXPORT CONTROL LAWS AND REGULATIONS.

NOTES:

- 615059-001 RESILIENT MOUNTING KIT TO BE PACKED WITH MOTOR
- DISTRIBUTION PART NUMBER: 9688

MAIN FRAME - OLE	SEMI-ENCLOSED
END FRAME - OLE	OPEN
MAIN FRAME - LE	SEMI-ENCLOSED
END FRAME - LE	OPEN

ENCLOSURE

CUST.	DISTRIBUTION SERVICES
-------	-----------------------

PERFORMANCE CURVE NO.	TORQUE @1550 RPM (25°C)	APPROVED SAMPLE	UL COMPONENT FILE	CSA GUIDE
C32332	21.8 OZ. FT.	0442798B	E46412	PRGY2 LR43341 260-φ-0

DRAWN BY: A.RODRIGUEZ	DATE: 07-08-2013
APPROVED BY:	DATE:
PROCESS/FINISH:	MATERIAL:
THIRD ANGLE PROJECTION	SIZE DWG NO C F48V24A01

REGAL ™ Regal Beloit America, Inc.	
DESCRIPTION MODEL-RFHP-48FR OUTLINE	
SIZE DWG NO C F48V24A01	SHEET 1