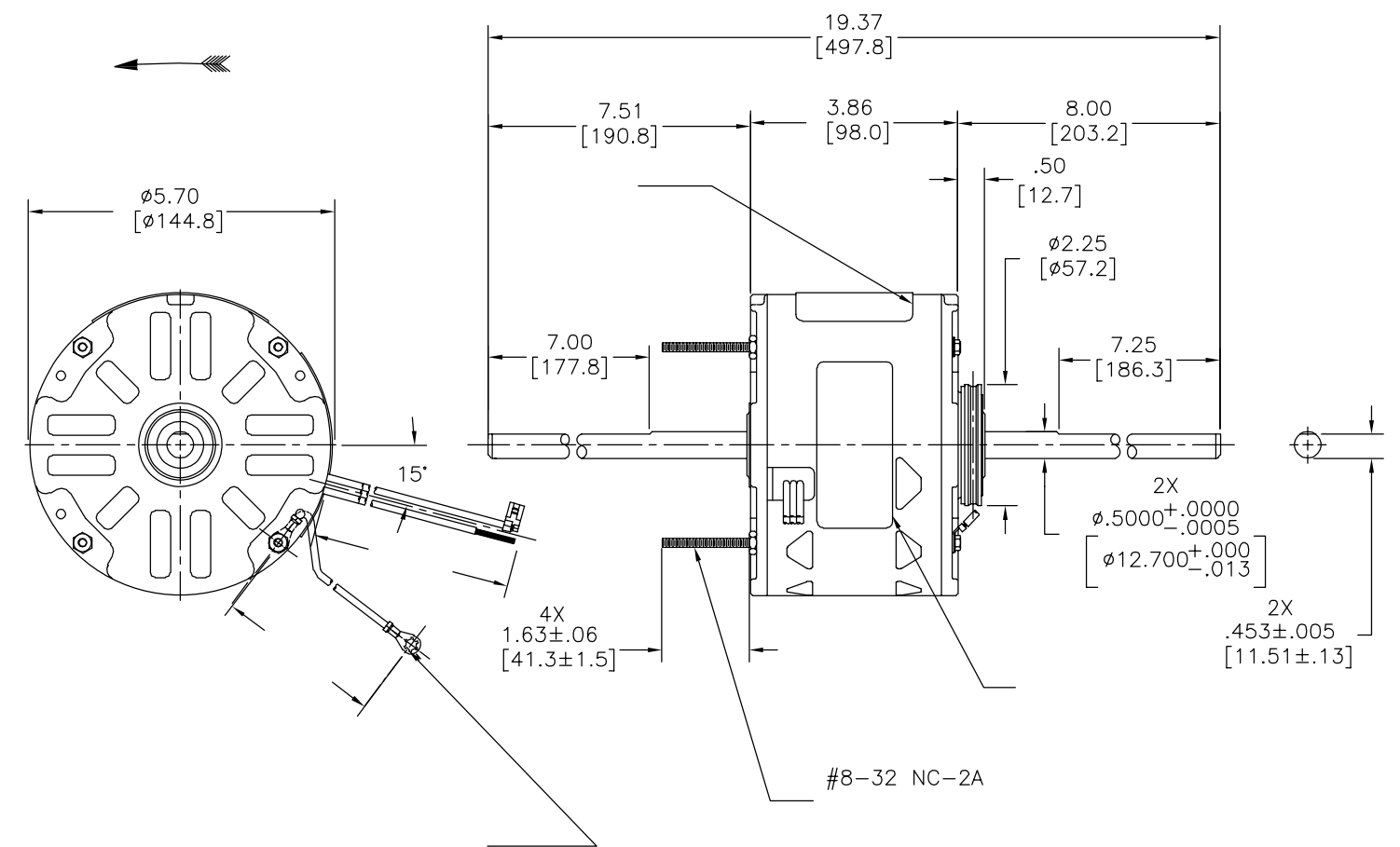


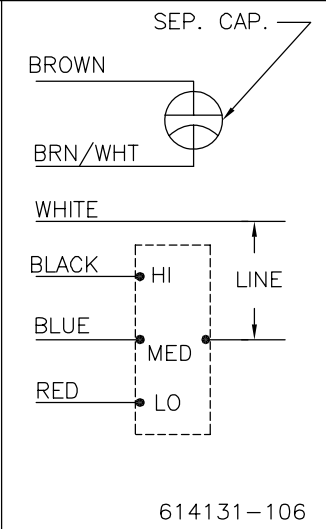
4 3 2 1

版本	ECO	编制	日期	批准	日期
C	ECO-0034278	A.RODRIGUEZ	07-08-2013	D.MUÑOZ	07-08-2013

.001[.03] T.I.R. PER INCH
LENGTH OF EXTENSION



MODEL NO.: F48V28A01
CUST. P/N:
HP: 1/8
ROT.: CCWLE
RPM: 1550/3 SPD
TYPE: UF
FRAME: 48Y
VOLTS: 115
PH: 1
AMPS: 2.3
HZ: 50/60
INS.: B
AMB.: 40°C
DUTY: AIR OVER
CAP: 7.5 MFD/370V
ENCL: SEMI-ENCL
CSA&UL LOGO
THERMALLY PROTECTED



614131-106

	11.0/13.0	
	[279/330]	
	11.0/13.0	.25[6.35]
	[279/330]	
	11.0/13.0	.25[6.35]
	[279/330]	
	13.0/15.0	.50[12.7]
	[330/381]	
	13.0/15.0	.50[12.7]
	[330/381]	
	13.0/15.0	.50[12.7]
	[330/381]	
	13.0/15.0	.50[12.7]
	[330./381]	

					CCN #	CSA
C32342	10.1 OZ. FT.	04426878	E46412	PRGY2	LR43341	4211-01

形位公差	ASME Y14.5M 1994
□ 平面度	
— 直线度	
∠ 倾斜度	
⊥ 垂直度	
// 平行度	
○ 圆度	
⊘ 圆柱度	
⊙ 面轮廓度	
△ 线轮廓度	
⌒ 圆跳动	
⊕ 位置度	
⊙ 同轴度	
≡ 对称度	

REGAL-BELOIT CORPORATION (RBC) 在个别领域为客户提供技术支持。鉴于RBC未收到任何涉及电机使用和应用环境的数据，电机的适用性由客户自己决定。

未注公差尺寸仅供参考。

绘图:	DZ	02-16-2011
批准:	DZ	02-16-2011
第三角投影		图纸格式发布日期 11-11-2011 图纸格式版本 H
机密: 本图纸及相关信息所有权归REGAL-BELOIT CORPORATION。未经REGAL-BELOIT CORPORATION书面授权, 不得泄露、复制或传播作其他用途。—版权所有		

		REGAL-BELOIT CORPORATION
名称		
MODEL-RFHP-48FR OUTLINE		
图幅	C	图号
		F48V28A01
比例	NONE	页号
		1

4 3 2 1

4

3

2

1

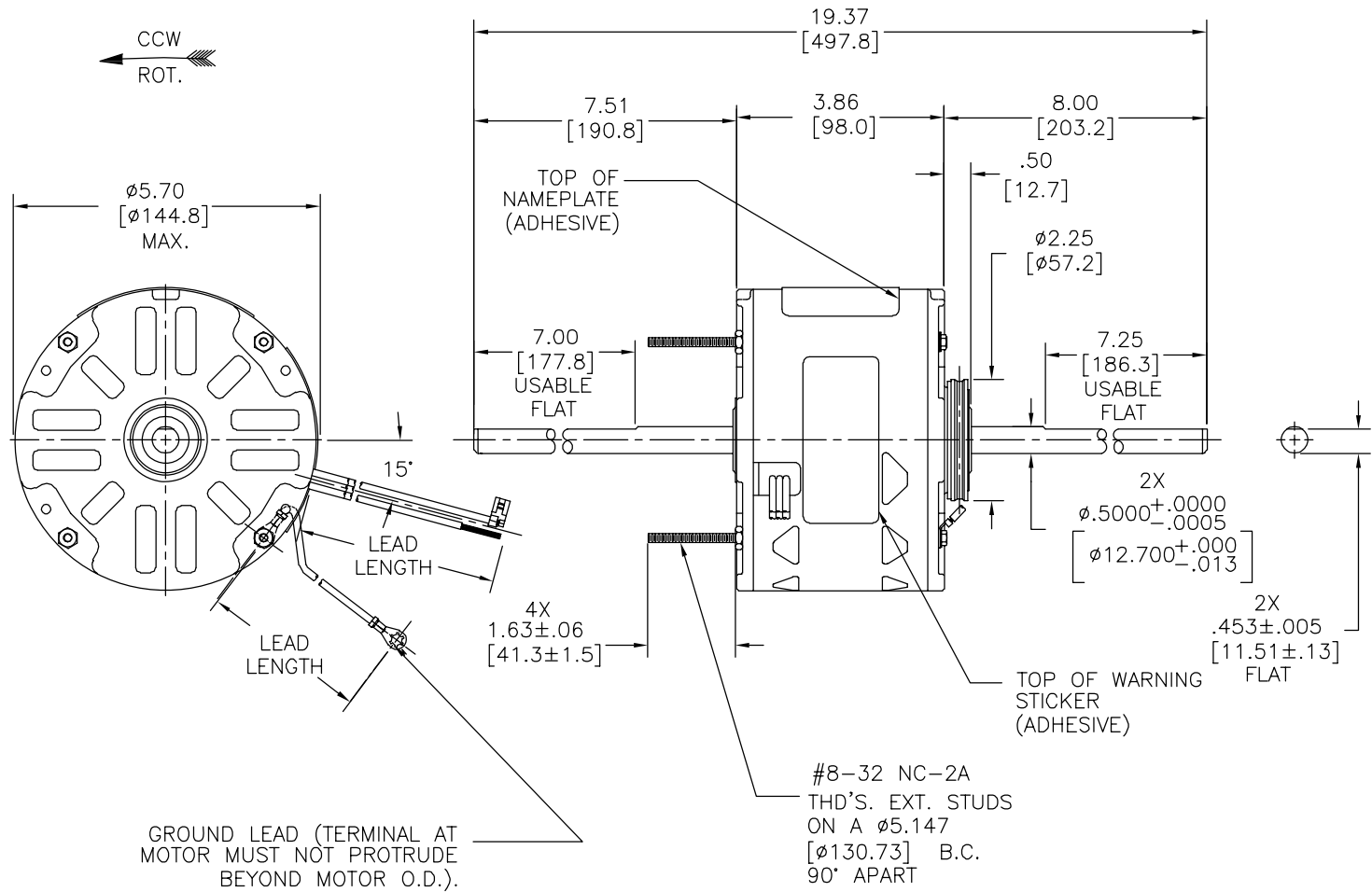
REV	ECO	REV BY	DATE	APPD	DATE
C	ECO-0034278	A.RODRIGUEZ	07-08-2013	D.MUÑOZ	07-08-2013

GENERAL INFORMATION:

SHAFT RUNOUT: .001[.03] T.I.R. PER INCH LENGTH OF EXTENSION
 END PLAY: .010[.25] TO .063[1.60]
 BEARINGS: SLEEVE
 MOUNTING POSITION: HORIZONTAL

ELECTRICAL DATA:

OVERLOAD PROTECTOR: AUTOMATIC RESET (SENSATA 7AM 036)
 LEADS: NO. 18 GA., .06[1.5] THK., 105°C PVC INSUL.
 GROUND LEAD: NO. 18 GA., .03[.8] THK. (GRN/YEL) INSUL.



NAMEPLATE DATA:	EXTERNAL CONNECTION DIAGRAM
MODEL NO.: F48V28A01 CUST. P/N: HP: 1/8 ROT.: CCWLE RPM: 1550/3 SPD TYPE: UF FRAME: 48Y VOLTS: 115 PH: 1 AMPS: 2.3 HZ: 50/60 INS.: B AMB.: 40°C DUTY: AIR OVER CAP: 7.5 MFD/370V ENCL: SEMI-ENCL CSA&UL LOGO THERMALLY PROTECTED	SEP. CAP. BROWN BRN/WHT WHITE BLACK HI LINE BLUE MED RED LO 614131-106

COLOR	LENGTH	TERMINAL OR STRIP LENGTH
GRN/YEL (GND)	11.0/13.0 [279/330]	#10 EYELET
BROWN/WHITE	11.0/13.0 [279/330]	.25[6.35] FLAG
BROWN	11.0/13.0 [279/330]	.25[6.35] FLAG
WHITE	13.0/15.0 [330/381]	.50[12.7] SKIN
BLACK	13.0/15.0 [330/381]	.50[12.7] SKIN
BLUE	13.0/15.0 [330/381]	.50[12.7] SKIN
RED	13.0/15.0 [330/381]	.50[12.7] SKIN

NOTE:
 1. 615059-001 RESILENT MOUNTING KIT TO BE PACKED WITH MOTOR.

PERFORMANCE CURVE NO.	TORQUE @ 1550 RPM (25°C)	APPROVED SAMPLE	UL COMPONENT FILE #	CCN #	CSA FILE #	CLASS #
C32342	10.1 OZ. FT.	04426878	E46412	PRGY2	LR43341	4211-01

MAIN FRAME - OLE	SEMI-ENCL
END FRAME - OLE	OPEN
MAIN FRAME - LE	SEMI-ENCL
END FRAME - LE	OPEN

CUSTOMER	DISTRIBUTION SERVICE

GEOMETRIC CHARACTERISTICS & SYMBOLS
 □ FLATNESS
 - STRAIGHTNESS
 < ANGLARITY
 ⊥ PERPENDICULARITY (SQUARENESS)
 // PARALLELISM
 ○ ROUNDNESS (CIRCULARITY)
 ∅ CYLINDRICITY
 △ PROFILE OF ANY SURFACE
 ∇ PROFILE OF ANY LINE
 ↗ RUNOUT
 ⊕ TRUE POSITION
 ⊙ CONCENTRICITY
 = SYMMETRY
 ASME Y14.5M 1994

REGAL-BELOIT CORPORATION (RBC) PROVIDES TECHNICAL ASSISTANCE TO OUR CUSTOMERS IN SEVERAL AREAS. SINCE RBC DOES NOT RECEIVE ALL DATA CONCERNING THE USE AND APPLICATION OF THE MOTOR, THE SUITABILITY OF THE MOTOR FOR THE APPLICATION MUST BE DETERMINED BY THE CUSTOMER.
 DIMENSIONS WITHOUT TOLERANCES ARE FOR REFERENCE ONLY.

DR BY: DZ 02-16-2011
 APPD: DZ 02-16-2011
 THIRD ANGLE PROJECTION
 EDS DATE 11-11-2011
 FORMAT REV H
 CONFIDENTIAL: THIS DRAWING AND ITS INFORMATION ARE THE EXCLUSIVE AND CONFIDENTIAL PROPERTY OF REGAL-BELOIT CORPORATION AND ARE NOT TO BE DISCLOSED, DUPLICATED, DISTRIBUTED OR OTHERWISE USED WITHOUT THE WRITTEN CONSENT OF REGAL-BELOIT CORPORATION. -ALL RIGHTS RESERVED.

REGAL REGAL-BELOIT CORPORATION

DESCRIPTION: MODEL-RFHP-48FR OUTLINE

SIZE: C DWG NO: F48V28A01

SCALE: NONE SHEET: 1

4

3

2

1

4

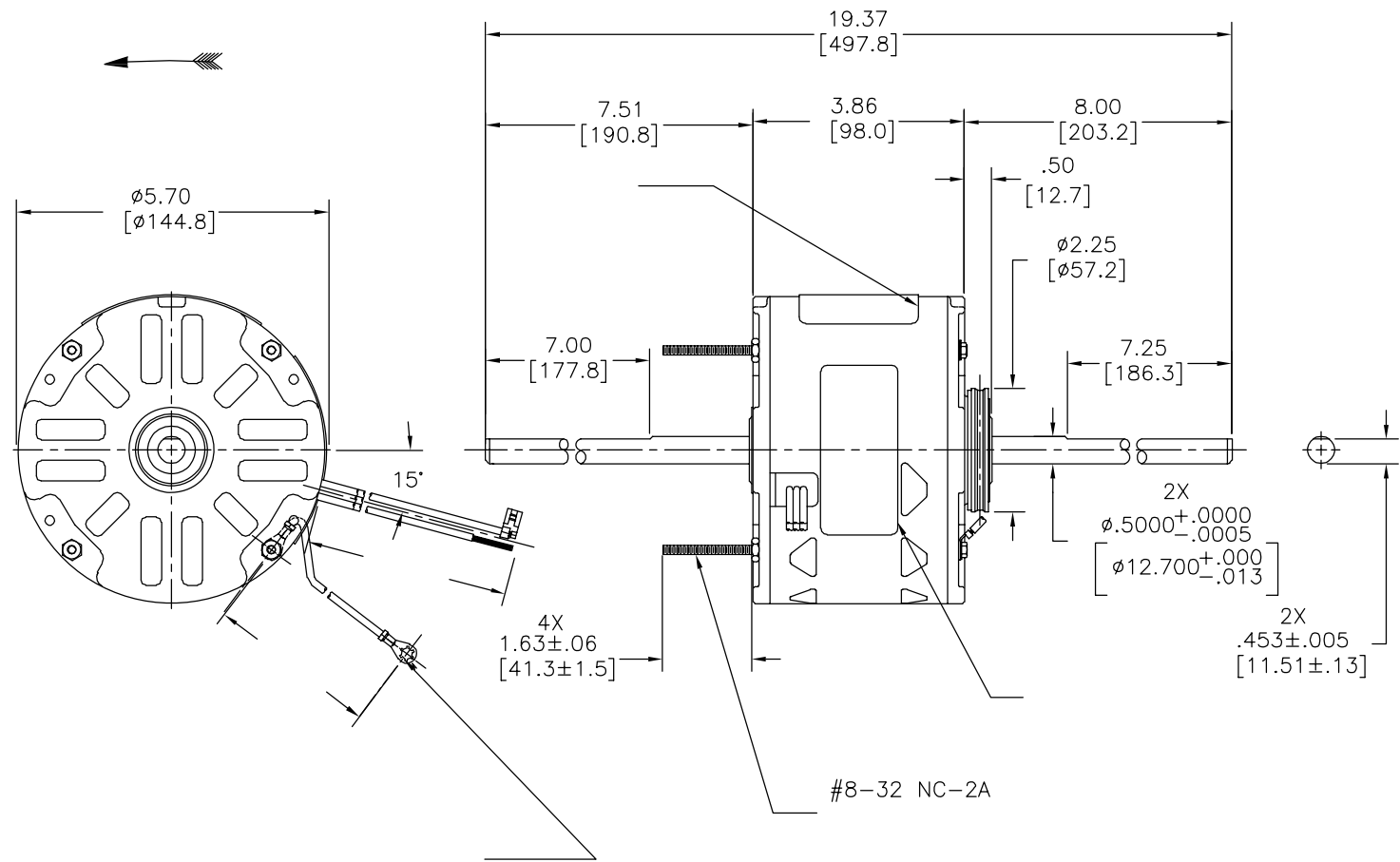
3

2

1

REVISION:	ECO	REVISADO POR:	FECHA:	APROBADO POR:	FECHA:
C	ECO-0034278	A.RODRIGUEZ	07-08-2013	D.MUÑOZ	07-08-2013

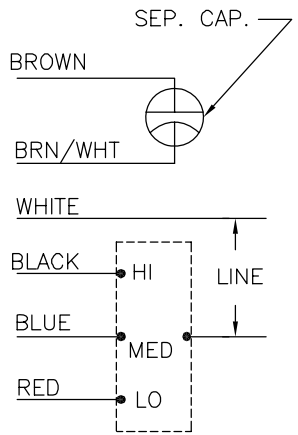
.001[.03] T.I.R. PER INCH
LENGTH OF EXTENSION



DATOS DE PLACA DE DATOS:

MODEL NO.: F48V28A01
CUST. P/N:
HP: 1/8
ROT.: CCWLE
RPM: 1550/3 SPD
TYPE: UF
FRAME: 48Y
VOLTS: 115
PH: 1
AMPS: 2.3
HZ: 50/60
INS.: B
AMB.: 40°C
DUTY: AIR OVER
CAP: 7.5 MFD/370V
ENCL: SEMI-ENCL
CSA&UL LOGO
THERMALLY PROTECTED

DIAGRAMA DE CONEXION EXTERNA



614131-106

CURVAS DE FUNCIONAMIENTO	TORSION @1550 RPM (25°C)	MUESTRA APROVADA	COMPONENTE UL		CSA	
			#ARCHIVO	CCN #	#ARCHIVO	#CLASE
C32342	30.4 OZ. FTES	04426878	E46412	PRGY2	LR43341	4211-01

VERDE (TIERRA)	11.0/13.0 [279/330]	OJAL #10
NEGRO/BLANCO	11.0/13.0 [279/330]	TAPON [6.35] INVERSION
CAFE	11.0/13.0 [279/330]	.25[6.35] BANDERA
CAFE/BLANCO	13.0/15.0 [330/381]	.50[12.7] FORRO
ROJO	13.0/15.0 [330/381]	.50[12.7] FORRO
NEGRO	13.0/15.0 [330/381]	.50[12.7] FORRO
AMARILLO	13.0/15.0 [330/381]	.50[12.7] FORRO
COLOR	LONGITUD	TERMINAL O LONGITUD DE DESFORRE

CUERPO PPAL.-OLE	CERRADO
TAPA FINAL - OLE	CERRADO CON ORIFICIO DE DRENADO
CUERPO PPAL.-OLE	CERRADO
TAPA FINAL - OLE	CERRADO CON ORIFICIO DE DRENADO

CLIENTE	DISTRIBUTION SERVICE
---------	----------------------

CARACTERISTICAS DE GEOMETRIA Y SIMBOLOS
 □ PLANICIDAD
 — RECTITUD
 < ANGULARIDAD
 ⊥ PERPENDICULARIDAD (A ESCUADRA)
 // PARALELISMO
 ○ REDONDEZ (CIRCULARIDAD)
 ∅ CILINDRICIDAD
 △ PERFIL DE CUALQUIER SUPERFICIE
 ∩ PERFIL DE CUALQUIER LINEA
 ∠ VARIACION
 ⊕ POSICION REAL
 ⊙ CONCENTRICIDAD
 = SIMETRIA
 ASME Y14.5M 1994

REGAL-BELOIT CORPORATION (RBC) PROVEE ASISTENCIA TECNICA A NUESTROS CLIENTES EN VARIAS AREAS. DESDE QUE RBC NO RECIBE TODOS LOS DATOS EN RELACION AL USO Y A LA APLICACION DEL MOTOR, LA APLICACION ADECUADA DEL MOTOR DEBE SER DETERMINADA POR EL CLIENTE.
 DIMENSIONES SIN TOLERANCIA SON DE REFERENCIA SOLAMENTE

DIBUJADO POR: DZ 02-16-2011
 APROBADO POR: DZ 02-16-2011
 TERCER ANGULO DE PROYECCION
 FECHA EDS: 11-11-2011
 REV. FORMATO: H
 CONFIDENCIAL: ESTE DIBUJO Y SU INFORMACION SON PROPIEDAD DE USO EXCLUSIVO Y CONFIDENCIAL DE REGAL-BELOIT CORPORATION. Y NO DEBERAN SER REVELADOS, DUPLICADOS, DISTRIBUIDOS O USARSE DE OTRA MANERA SIN EL CONSENTIMIENTO ESCRITO DE REGAL-BELOIT CORPORATION. -TODOS LOS DERECHOS RESERVADOS.

REGAL REGAL-BELOIT CORPORATION
 DESCRIPCION: MODEL-RFHP-48FR OUTLINE
 TAMAÑO: C NUMERO DE DIBUJO: F48V28A01
 ESCALA: NONE HOJA: 1

4

3

2

1