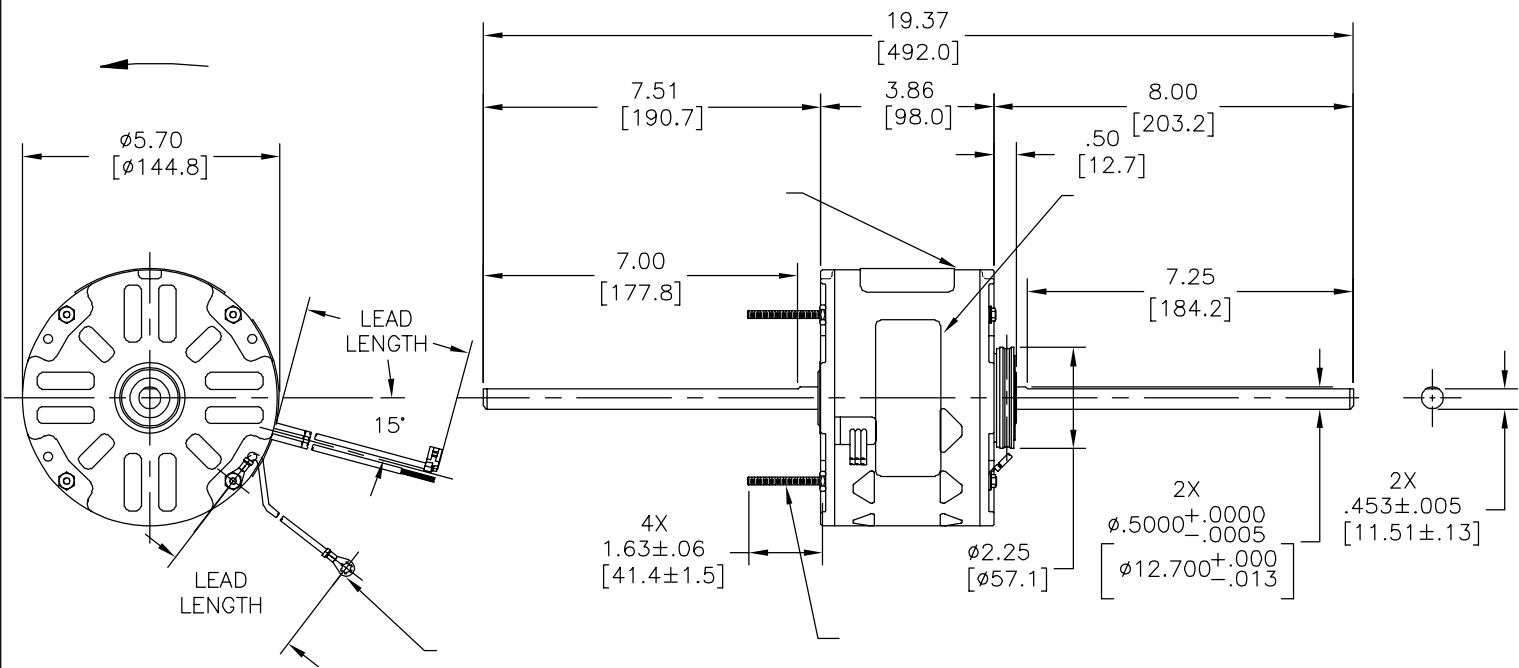
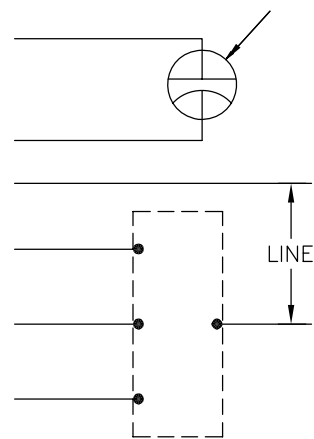


版本	ECO	编制	日期	批准	日期
A	ECO-0034278	A.RODRIGUEZ	07-08-2013	D.MUÑOZ	07-08-2013



MODEL NO.: F48V26A01  
 CUST. P/N:    
 HP: 1/8  
 ROT.: CCWLE  
 RPM: 1550/3 SPD  
 TYPE: UF  
 FRAME: 48Y  
 VOLTS: 208-230  
 PH: 1  
 AMPS: 1.1  
 HZ: 50/60  
 INS.: B  
 AMB.: 40°C  
 DUTY: AIR OVER  
 CAP.: 7.5 MFD/370V  
 ENCL: SEMI-ENCL  
 CSA LOGO  
 UL LOGO  
 THERMALLY PROTECTED



	11.0/13.0	
	[279/330]	
	11.0/13.0	
	[279/330]	
	11.0/13.0	
	[279/330]	
	13.0/15.0	
	[330/381]	
	13.0/15.0	
	[330/381]	
	13.0/15.0	
	[330/381]	
	13.0/15.0	
	[330/381]	

		CSA	
FILE #	CCN #	FILE #	CLASS #
C32336	10.1 OZ. FT.	0442622B	E46412 PRGY2 LR43341 4211-01

REGAL-BELOIT CORPORATION (RBC) 在个别领域为客户提供技术支持。鉴于RBC未收到任何涉及电机使用和应用环境的数据，电机的适用性由客户自己决定。

未注公差尺寸仅供参考。

绘图: A.RODRIGUEZ 07-08-2013  
 批准:  
 第三角投影  
 图密: 本图纸及相关信息所有权归REGAL-BELOIT CORPORATION。未经REGAL-BELOIT CORPORATION书面授权, 不得泄露、复制、传播或作其他用途。—版权所有



名称: MODEL-RFHP-48FR OUTLINE  
 图号: F48V26A01  
 比例: NONE  
 页号: 1

- 形位公差
- 平面度
- 直线度
- ∠ 倾斜度
- ⊥ 垂直度
- // 平行度
- 圆度
- ⊘ 圆柱度
- ⊙ 圆跳动
- △ 面轮廓度
- ∩ 线轮廓度
- ↗ 圆跳动
- ⊕ 位置度
- ⊙ 同轴度
- ≡ 对称度

ASME Y14.5M 1994

4

3

2

1

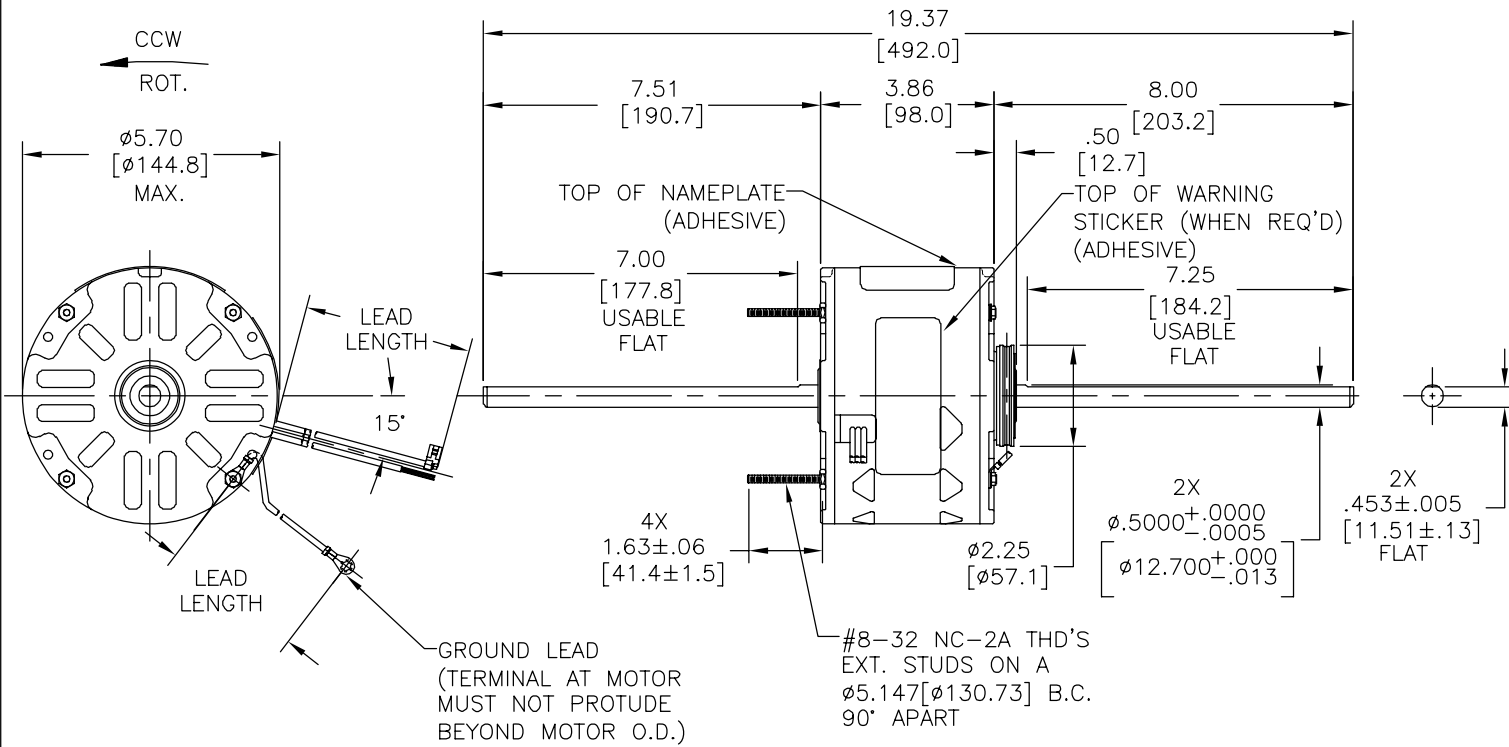
REV	ECO	REV BY	DATE	APPD	DATE
A	ECO-0034278	A.RODRIGUEZ	07-08-2013	D.MUÑOZ	07-08-2013

GENERAL INFORMATION:

SHAFT RUNOUT: .001[.03] T.I.R. PER INCH LENGTH OF EXTENSION  
 END PLAY: .010 TO .063 [.25 TO 1.60]  
 BEARINGS: SLEEVE  
 MOUNTING POSITION: HORIZONTAL

ELECTRICAL DATA:

OVERLOAD PROTECTOR: AUTOMATIC RESET (SENSATA 7AM 036)  
 LEADS: NO. 18 GA., .06[1.5] THK. 105' PVC INSUL.  
 GROUND LEAD: NO. 18 GA., .03[.8] THK. (GRN/YEL) INSUL.

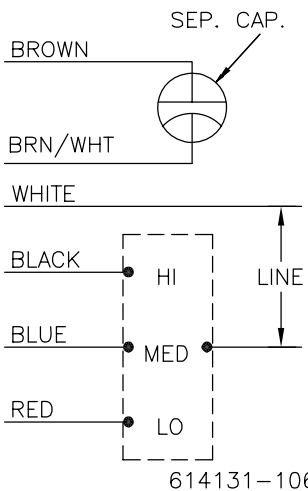


SEE NOTE 2

NAMEPLATE DATA:

MODEL NO.: F48V26A01  
 CUST. P/N: [ ]  
 HP: 1/8  
 ROT.: CCWLE  
 RPM: 1550/3 SPD  
 TYPE: UF  
 FRAME: 48Y  
 VOLTS: 208-230  
 PH: 1  
 AMPS: 1.1  
 HZ: 50/60  
 INS.: B  
 AMB.: 40°C  
 DUTY: AIR OVER  
 CAP.: 7.5 MFD/370V  
 ENCL: SEMI-ENCL  
 CSA LOGO  
 UL LOGO  
 THERMALLY PROTECTED

EXTERNAL CONNECTION DIAGRAM



614131-106

GREEN(GRD)	11.0/13.0 [279/330]	#10 EYELET
BROWN/WHITE	11.0/13.0 [279/330]	.25[6.3] FLAG
BROWN	11.0/13.0 [279/330]	.25[6.3] FLAG
WHITE	13.0/15.0 [330/381]	.50[12.7] SKIN
BLACK	13.0/15.0 [330/381]	.50[12.7] SKIN
BLUE	13.0/15.0 [330/381]	.50[12.7] SKIN
RED	13.0/15.0 [330/381]	.50[12.7] SKIN
COLOR	LENGTH	TERMINAL OR STRIP LENGTH

NOTES:

- 615059 RESILIENT MOUNTING KIT TO BE PACKED WITH MOTOR.
- DISTRIBUTION PART NUMBER: 9682

PERFORMANCE CURVE NO.	TORQUE @ 1550 RPM (25°C)	APPROVED SAMPLE	UL COMPONENT FILE #	CCN #	CSA FILE #	CLASS #
C32336	10.1 OZ. FT.	0442622B	E46412	PRGY2	LR43341	4211-01

GEOMETRIC CHARACTERISTICS & SYMBOLS

- FLATNESS
  - STRAIGHTNESS
  - ∠ ANGULARITY
  - ⊥ PERPENDICULARITY (SQUARENESS)
  - // PARALLELISM
  - ROUNDNESS (CIRCULARITY)
  - ∅ CYLINDRICITY
  - △ PROFILE OF ANY SURFACE
  - ∩ PROFILE OF ANY LINE
  - ↗ RUNOUT
  - ⊕ TRUE POSITION
  - ◎ CONCENTRICITY
  - ≡ SYMMETRY
- ASME Y14.5M 1994

REGAL-BELOIT CORPORATION (RBC) PROVIDES TECHNICAL ASSISTANCE TO OUR CUSTOMERS IN SEVERAL AREAS. SINCE RBC DOES NOT RECEIVE ALL DATA CONCERNING THE USE AND APPLICATION OF THE MOTOR, THE SUITABILITY OF THE MOTOR FOR THE APPLICATION MUST BE DETERMINED BY THE CUSTOMER.

DIMENSIONS WITHOUT TOLERANCES ARE FOR REFERENCE ONLY.

DR BY: A.RODRIGUEZ 07-08-2013

APPD:

THIRD ANGLE PROJECTION

CONFIDENTIAL: THIS DRAWING AND ITS INFORMATION ARE THE EXCLUSIVE AND CONFIDENTIAL PROPERTY OF REGAL-BELOIT CORPORATION AND ARE NOT TO BE DISCLOSED, DUPLICATED, DISTRIBUTED OR OTHERWISE USED WITHOUT THE WRITTEN CONSENT OF REGAL-BELOIT CORPORATION. -ALL RIGHTS RESERVED.

MAIN FRAME - OLE	SEMI-ENCLOSED
END FRAME - OLE	OPEN
MAIN FRAME - LE	SEMI-ENCLOSED
END FRAME - LE	OPEN

CUSTOMER	DISTRIBUTION SERVICE
----------	----------------------

**REGAL** REGAL-BELOIT CORPORATION

DESCRIPTION  
 MODEL-RFHP-48FR  
 OUTLINE

SIZE C DWG NO F48V26A01

SCALE NONE SHEET 1

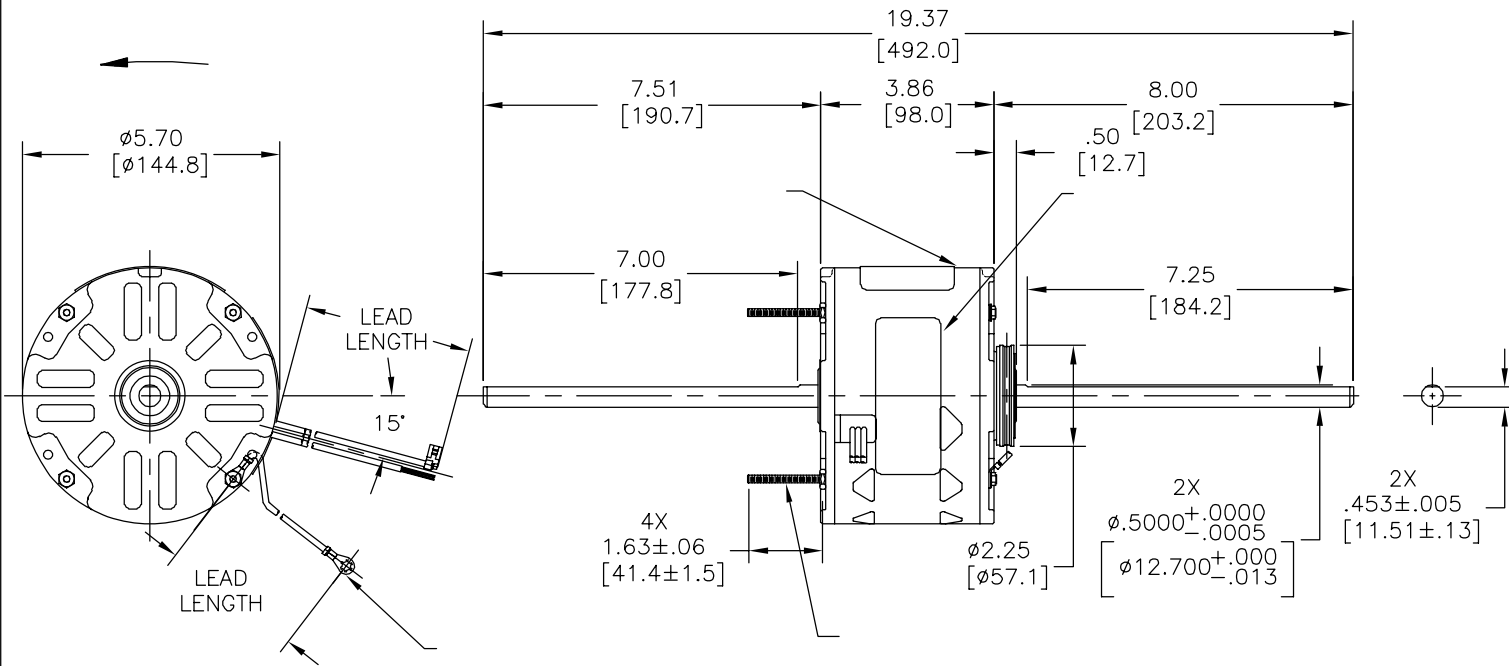
4

3

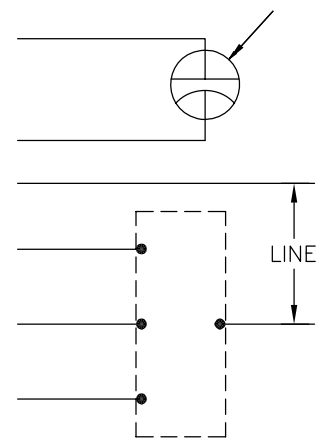
2

1

REVISION:	ECO	REVISADO POR:	FECHA:	APROBADO POR:	FECHA:
A	ECO-0034278	A.RODRIGUEZ	07-08-2013	D.MUÑOZ	07-08-2013



MODEL NO.: F48V26A01  
 CUST. P/N:    
 HP: 1/8  
 ROT.: CCWLE  
 RPM: 1550/3 SPD  
 TYPE: UF  
 FRAME: 48Y  
 VOLTS: 208-230  
 PH: 1  
 AMPS: 1.1  
 HZ: 50/60  
 INS.: B  
 AMB.: 40°C  
 DUTY: AIR OVER  
 CAP.: 7.5 MFD/370V  
 ENCL: SEMI-ENCL  
 CSA LOGO  
 UL LOGO  
 THERMALLY PROTECTED



	11.0/13.0	
	[279/330]	
	11.0/13.0	
	[279/330]	
	11.0/13.0	
	[279/330]	
	13.0/15.0	
	[330/381]	
	13.0/15.0	
	[330/381]	
	13.0/15.0	
	[330/381]	
	13.0/15.0	
	[330/381]	

		CSA	
FILE #	CCN #	FILE #	CLASS #
C32336	10.1 OZ. FT.	0442622B	E46412 PRGY2 LR43341 4211-01

COLOR	
-------	--


DISTRIBUTION SERVICE

CARACTERISTICAS DE GEOMETRIA Y SIMBOLOS  
 □ PLANICIDAD  
 — RECTITUD  
 < ANGULARIDAD  
 ⊥ PERPENDICULARIDAD (A ESCUADRA)  
 // PARALELISMO  
 ○ REDONDEZ (CIRCULARIDAD)  
 ∅ CILINDRICIDAD  
 △ PERFIL DE CUALQUIER SUPERFICIE  
 ∩ PERFIL DE CUALQUIER LINEA  
 ↗ VARIACION  
 ⊕ POSICION REAL  
 ⊙ CONCENTRICIDAD  
 = SIMETRIA  
 ASME Y14.5M 1994

REGAL-BELOIT CORPORATION (RBC) PROVEE ASISTENCIA TECNICA A NUESTROS CLIENTES EN VARIAS AREAS. DESDE QUE RBC NO RECIBE TODOS LOS DATOS EN RELACION AL USO Y A LA APLICACION DEL MOTOR, LA APLICACION ADECUADA DEL MOTOR DEBE SER DETERMINADA POR EL CLIENTE.  
 DIMENSIONES SIN TOLERANCIA SON DE REFERENCIA SOLAMENTE

DIBUJADO POR: A.RODRIGUEZ  
 07-08-2013  
 APROBADO POR:  
 TERCER ANGULO DE PROYECCION  
 CONFIDENCIAL: ESTE DIBUJO Y SU INFORMACION SON PROPIEDAD DE USO EXCLUSIVO Y CONFIDENCIAL DE REGAL-BELOIT CORPORATION. Y NO DEBERAN SER REVELADOS, DUPLICADOS, DISTRIBUIDOS O USARSE DE OTRA MANERA SIN EL CONSENTIMIENTO ESCRITO DE REGAL-BELOIT CORPORATION. -TODOS LOS DERECHOS RESERVADOS.

**REGAL REGAL-BELOIT CORPORATION**

DESCRIPCION: MODEL-RFHP-48FR OUTLINE

TAMAÑO: C NUMERO DE DIBUJO: F48V26A01

ESCALA: NONE HOJA: 1