

GENERAL INFORMATION:

SHAFT RUNOUT: .001[.03] T.I.R. PER INCH LENGTH OF EXTENSION

END PLAY: .010[.25] TO .063[1.60]

BEARINGS: SLEEVE

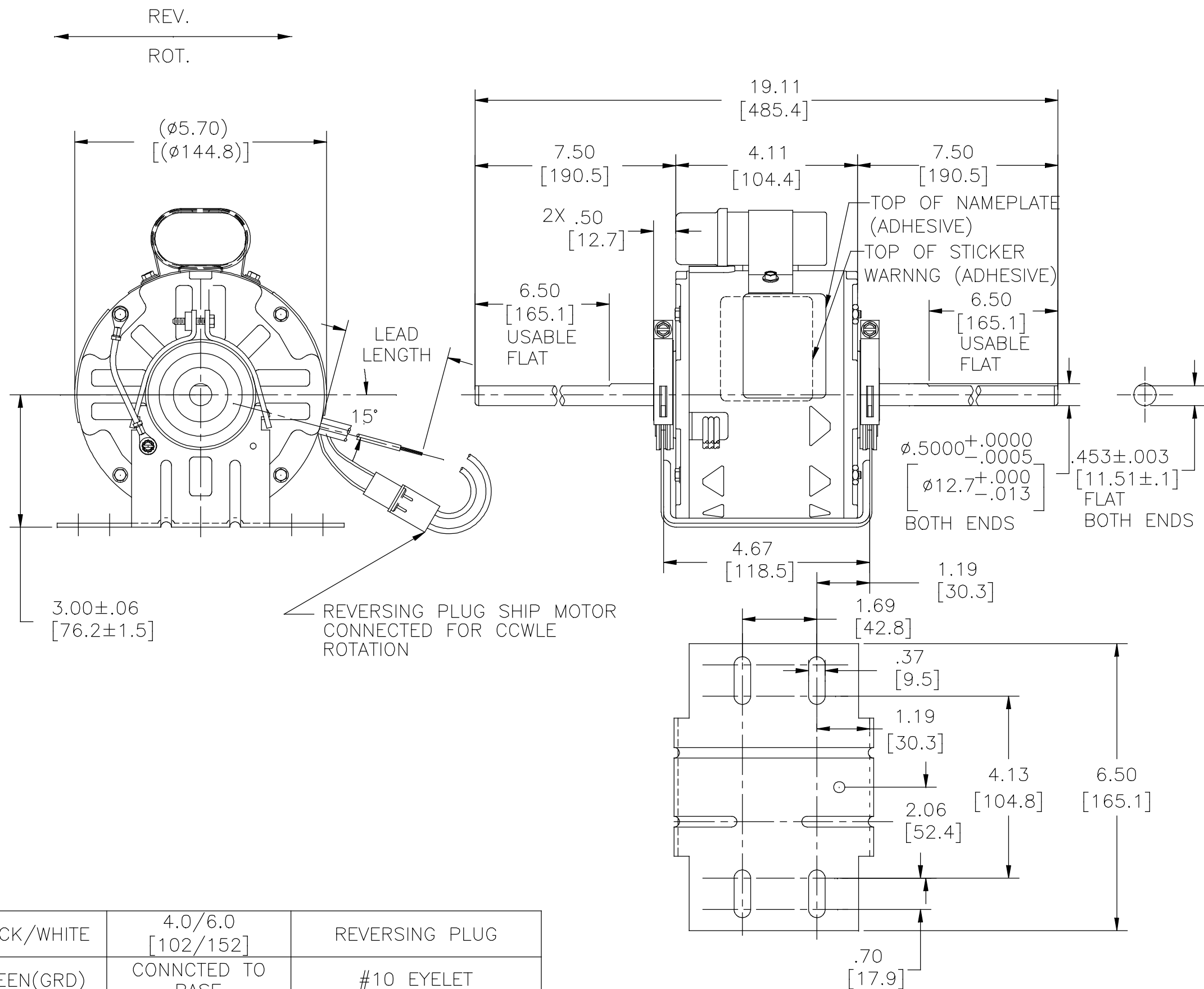
MOUNTING POSITION: HORIZONTAL

ELECTRICAL DATA:

OVERLOAD PROTECTOR: AUTOMATIC RESET (T.I. 7AM 036)

LEADS: NO. 18 GA., .03[.8] THK., 125°C INSUL

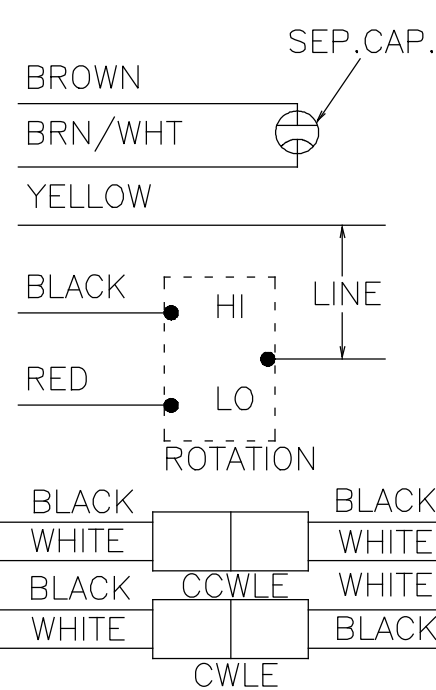
GROUND LEAD: NO. 18 GA., .03[.8] THK., GREEN INSUL



NAMEPLATE DATA:

MODEL NO.: F48V79A01
 CUST. P/N: DSB1016HR
 HP: 1/6
 ROT.: REV
 RPM: 1625/2 SPD
 TYPE: UF
 FRAME: 48Y
 VOLTS: 230
 PH: 1
 AMPS: 1.3
 HZ: 60
 INS.: B
 AMB.: 40° C
 DUTY: CONT A0
 CAP.: 5MFD/370V
 ENCL: SEMI-ENCL
 UL LOGO
 CSA LOGO
 THERMALLY PROTECTED

EXTERNAL CONNECTION DIAGRAM



BLACK/WHITE	4.0/6.0 [102/152]	REVERSING PLUG
GREEN(GRD)	CONNECTED TO BASE	#10 EYELET
BROWN	CONNECTED TO BASE	.25[6.4] FLAG
BROWN/WHITE	CONNECTED TO BASE	.25[6.4] FLAG
YELLOW	24.0/26.0 [610/660]	.50[12.7] SKIN
BLACK	24.0/26.0 [610/660]	.50[12.7] SKIN
RED	24.0/26.0 [610/660]	.50[12.7] SKIN
COLOR	LENGTH	TERMINAL OR STRIP LENGTH

MAIN FRAME - OLE	SEMI-ENCLOSED
END FRAME - OLE	OPEN
MAIN FRAME - LE	SEMI-ENCLOSED
END FRAME - LE	OPEN

CUSTOMER	DISTRIBUTION SERVICES
----------	-----------------------

PERFORMANCE CURVE NO.	TORQUE @ 1625 RPM (25°C)	APPROVED SAMPLE	UL COMPONENT FILE #	CCN #	CSA FILE #	CLASS #
C32406	11.1 OZ. FT.	0442681C	E46412	PRGY2	LR43341	4211-01

DRAWING REVISION D	REVISION BY HANNA.ZOU	DATE 12-26-2018
ECO-0159049	APPROVED BY Tricia Niederholtmeyer	DATE 12-26-2018
ECO DESCRIPTION SEE ECO		

COPYRIGHT REGAL BELOIT AMERICA, INC. ALL RIGHTS RESERVED. PROPRIETARY AND CONFIDENTIAL INFORMATION - THIS DOCUMENT IS THE PROPERTY OF REGAL BELOIT AMERICA, INC. (OWNER) AND CONTAINS OWNER'S PROPRIETARY INFORMATION. ANY PERSON, CORPORATION OR OTHER FIRM RECEIVING IT IS DEEMED, BY RECEIVING IT, TO AGREE THAT IT, AND/OR ANY PART OF IT, SHALL NOT BE DISCLOSED TO ANY PERSON, CORPORATION OR OTHER ENTITY, DUPLICATED, AND/OR USED, EXCEPT AS EXPRESSLY APPROVED IN WRITING IN ADVANCE BY OWNER. THIS DOCUMENT SHALL BE RETURNED TO OWNER UPON REQUEST. IT MAY BE SUBJECT TO CERTAIN RESTRICTIONS UNDER APPLICABLE EXPORT CONTROL LAWS AND REGULATIONS.

DRAWN BY: DZ	DATE: 02-21-2011
APPROVED BY: DZ	DATE: 02-21-2011
PROCESS/FINISH	
THIRD ANGLE PROJECTION	

REGAL™ Regal Beloit America, Inc.

DESCRIPTION: MODEL-RFHP-48FR OUTLINE

MATERIAL: -

SIZE DWG NO: C F48V79A01

SHEET 1