

4

3

2

1

REV	ECO	REV BY	DATE	APPD	DATE
D	0025575	A. ARREOLA	05-01-2012	D. BALDERRAMA	05-01-2012

GENERAL INFORMATION:

SHAFT RUNOUT: .001 [.03] T.I.R. PER INCH LENGTH OF EXTENSION

END PLAY: .010 TO .063 [.25 TO 1.60]

BEARINGS: SLEEVE

MOUNTING POSITION: HORIZONTAL

ELECTRICAL DATA:

OVERLOAD PROTECTOR: AUTOMATIC RESET (T.I. 7AM 032)

LEADS: NO. 18 GA., .06 [1.5] THK. PVC 105°C INSUL.

GROUND LEAD: NO. 18 GA., .03 [.8] THK. (GREEN) INSUL.

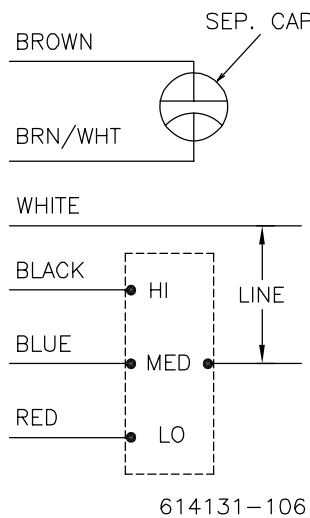
NOTE:
 1.DISTRIBUTION:CUST.P/N:RA1006
 GRAINGER:CUST.P/N:4MA93
 2.615059-001 PESILENT MOUNTING KIT
 TO BE PACKED WITH MOTOR

SEE NOTE 1

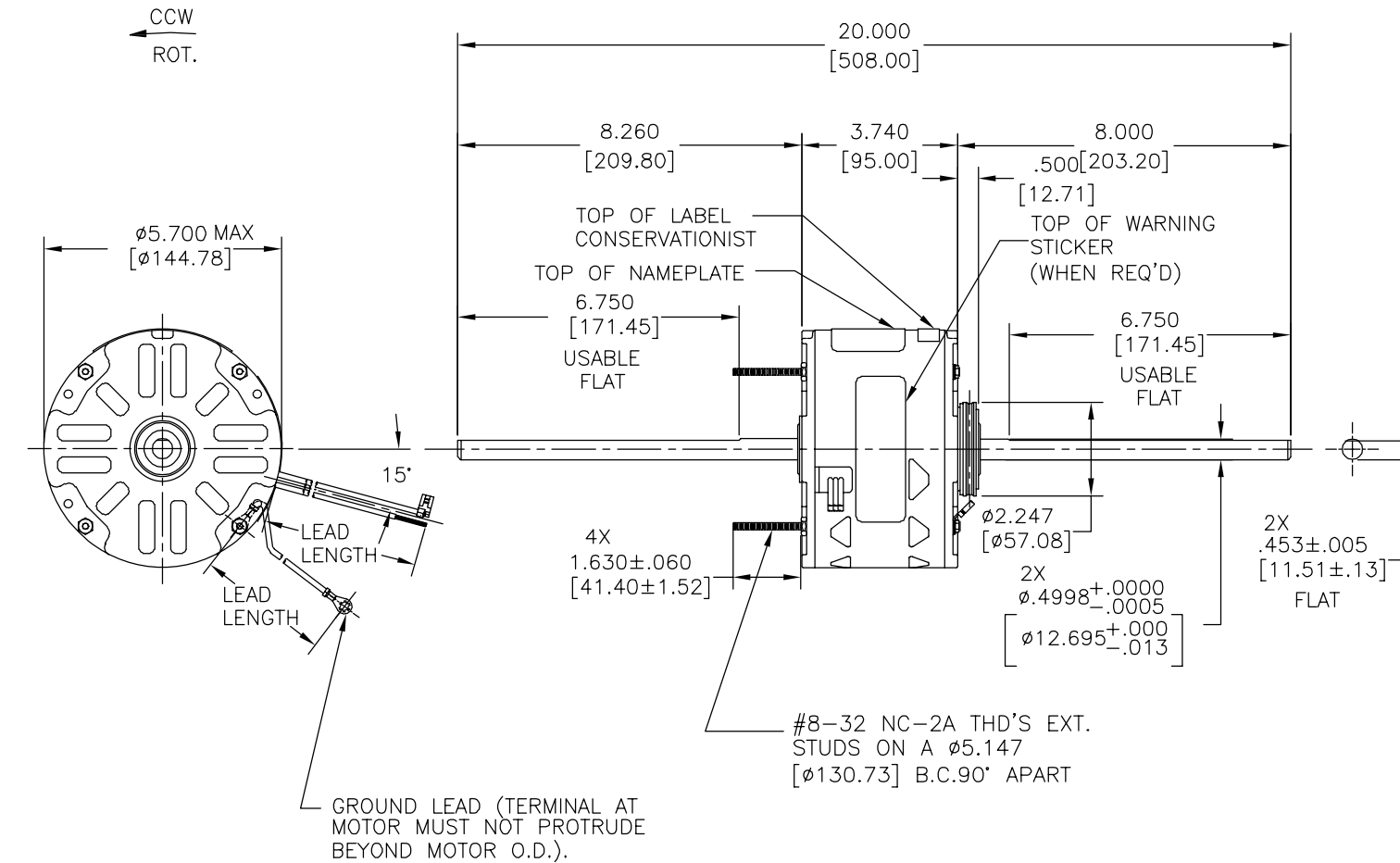
NAMEPLATE DATA:

MODEL NO.: F48SD6L6
 CUST. P/N: []
 HP: 1/8
 ROT.: CCWLE
 RPM: 1075/3 SPD
 TYPE: UF
 FRAME: 48Y
 VOLTS: 208-230
 PH: 1
 AMPS: 0.75 (0.9 MAX)
 HZ: 60/50
 INS.: A
 AMB.: 40°C
 DUTY: AIR OVER
 CAP.: 5 MFD/370 V
 ENCL: SEMI-ENCL.
 UL LOGO
 CSA LOGO
 THERMALLY PROTECTED

EXTERNAL CONNECTION DIAGRAM



614131-106



GROUND LEAD (TERMINAL AT MOTOR MUST NOT PROTRUDE BEYOND MOTOR O.D.).

#8-32 NC-2A THD'S EXT. STUDS ON A ϕ 5.147 [130.73] B.C.90° APART

GREEN (GRD)	29.0/31.0 [737/787]	#10 EYELET
BROWN/WHITE	35.0/37.0 [889/940]	.25 [6.4] FLAG
BROWN	35.0/37.0 [889/940]	.25 [6.4] FLAG
WHITE	35.0/37.0 [889/940]	.60 [15.2] SKIN
BLACK	35.0/37.0 [889/940]	.60 [15.2] SKIN
BLUE	35.0/37.0 [889/940]	.60 [15.2] SKIN
RED	35.0/37.0 [889/940]	.60 [15.2] SKIN
COLOR	LENGTH	TERMINAL OR STRIP LENGTH

LEAD DATA

MAIN FRAME - OLE	SEMI-ENCLOSED
END FRAME - OLE	OPEN
MAIN FRAME - LE	SEMI-ENCLOSED
END FRAME - LE	OPEN

CUSTOMER	DISTRIBUTION SERVICE
----------	----------------------

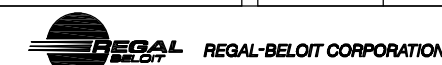
PERFORMANCE CURVE NO.	TORQUE @ 1625 RPM (25°C)	APPROVED SAMPLE	UL COMPONENT		CSA	
C23103	12.6 OZ. FT.	EX11262	FILE #	GUIDE#	FILE #	GUIDE#
			E46412	PRGY2	LR43341	260- ϕ -0

GEOMETRIC CHARACTERISTICS & SYMBOLS
 ▽ FLATNESS
 — STRAIGHTNESS
 < ANGLARITY
 ⊥ PERPENDICULARITY (SQUARENESS)
 // PARALLELISM
 ○ ROUNDNESS (CIRCULARITY)
 ∅ CYLINDRICITY
 △ PROFILE OF ANY SURFACE
 ∩ PROFILE OF ANY LINE
 ↗ RUNOUT
 ⊕ TRUE POSITION
 ⊙ CONCENTRICITY
 = SYMMETRY

REGAL-BELOIT CORPORATION (RBC) PROVIDES TECHNICAL ASSISTANCE TO OUR CUSTOMERS IN SEVERAL AREAS. SINCE RBC DOES NOT RECEIVE ALL DATA CONCERNING THE USE AND APPLICATION OF THE MOTOR, THE SUITABILITY OF THE MOTOR FOR THE APPLICATION MUST BE DETERMINED BY THE CUSTOMER.

DIMENSIONS WITHOUT TOLERANCES ARE FOR REFERENCE ONLY.

DR BY: ANDERSON 05-12-1995
 APPD: D. CORB 12-21-1995
 THIRD ANGLE PROJECTION
 EDS DATE 11-11-2011
 FORMAT REV G
 CONFIDENTIAL: THIS DRAWING AND ITS INFORMATION ARE THE EXCLUSIVE AND CONFIDENTIAL PROPERTY OF REGAL-BELOIT CORPORATION AND ARE NOT TO BE DISCLOSED, DUPLICATED, DISTRIBUTED OR OTHERWISE USED WITHOUT THE WRITTEN CONSENT OF REGAL-BELOIT CORPORATION. -ALL RIGHTS RESERVED.



DESCRIPTION: MODEL-RFHP-48FR OUTLINE
 SIZE: C DWG NO: 11773-044
 SCALE: NONE SHEET: 1

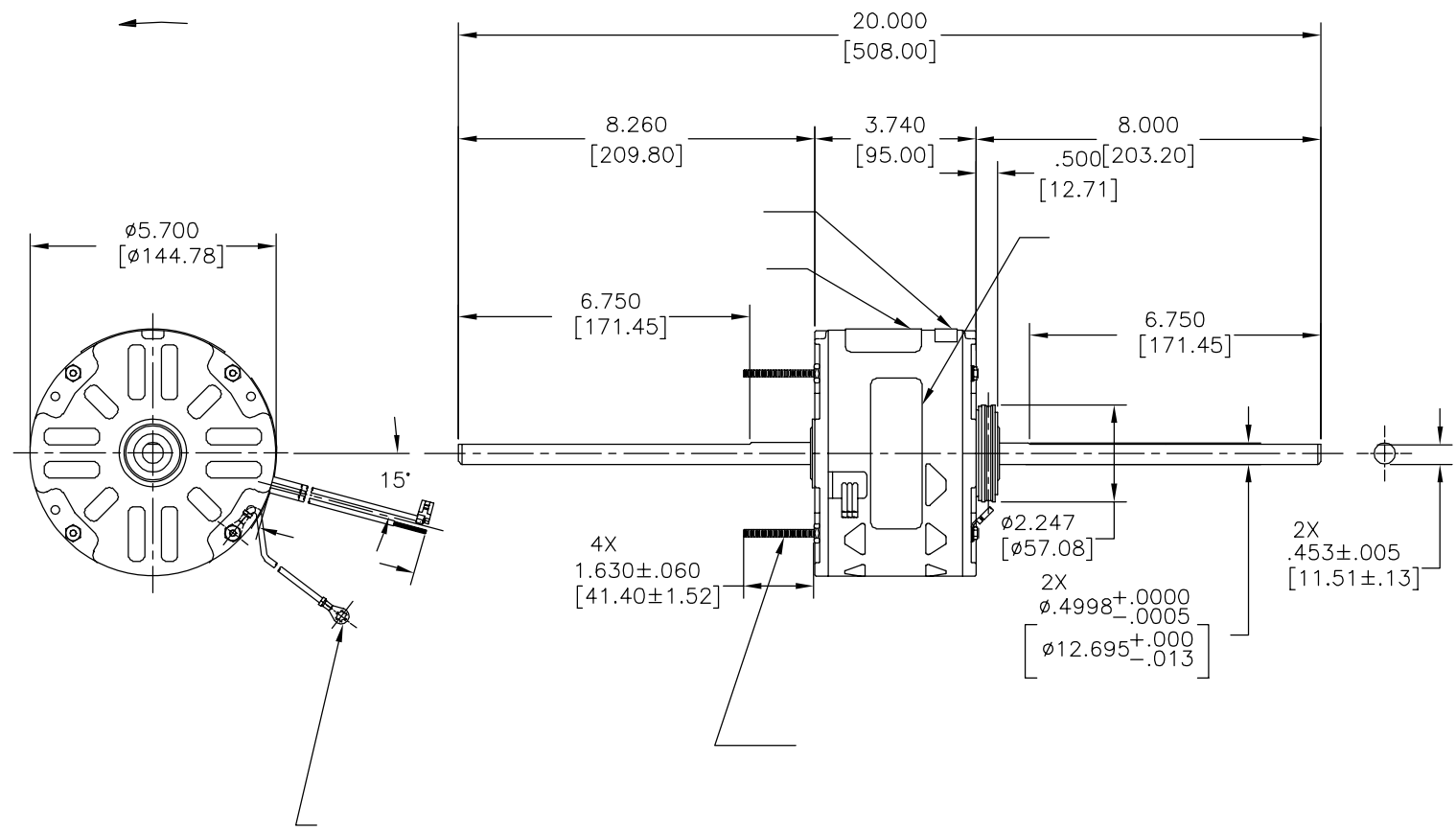
4

3

2

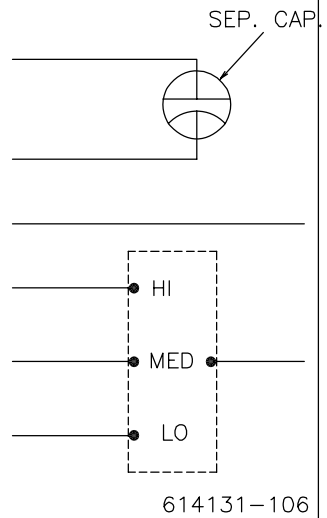
1

REVISION:	ECO	REVISADO POR:	FECHA:	APROBADO POR:	FECHA:
D	0025575	A. ARREOLA	05-01-2012	D. BALDERRAMA	05-01-2012



	29.0/31.0	
	[737/787]	
	35.0/37.0	
	[889/940]	
	35.0/37.0	
	[889/940]	
	35.0/37.0	
	[889/940]	
	35.0/37.0	
	[889/940]	
	35.0/37.0	
	[889/940]	
	35.0/37.0	
	[889/940]	

MODEL NO.: F48SD6L6
 CUST. P/N: []
 HP: 1/8
 ROT.: CCWLE
 RPM: 1075/3 SPD
 TYPE: UF
 FRAME: 48Y
 VOLTS: 208-230
 PH: 1
 AMPS: 0.75 (0.9 MAX)
 HZ: 60/50
 INS.: A
 AMB.: 40°C
 DUTY: AIR OVER
 CAP.: 5 MFD/370 V
 ENCL: SEMI-ENCL.
 UL LOGO
 CSA LOGO
 THERMALLY PROTECTED



SEE NOTE 1

C23103	12.6 OZ. FT.	EX11262	E46412	PRGY2	LR43341	260-Ø-0
--------	--------------	---------	--------	-------	---------	---------

CARACTERISTICAS DE GEOMETRIA Y SIMBOLOS
 ▽ PLANICIDAD
 — RECTITUD
 ∠ ANGULARIDAD
 ⊥ PERPENDICULARIDAD (A ESCUADRA)
 // PARALELISMO
 ○ REDONDEZ (CIRCULARIDAD)
 ∅ CILINDRICIDAD
 △ PERFIL DE CUALQUIER SUPERFICIE
 ∩ PERFIL DE CUALQUIER LINEA
 ↑ VARIACION
 ⊕ POSICION REAL
 ⊙ CONCENTRICIDAD
 = SIMETRIA
 ASME Y14.5M 1994

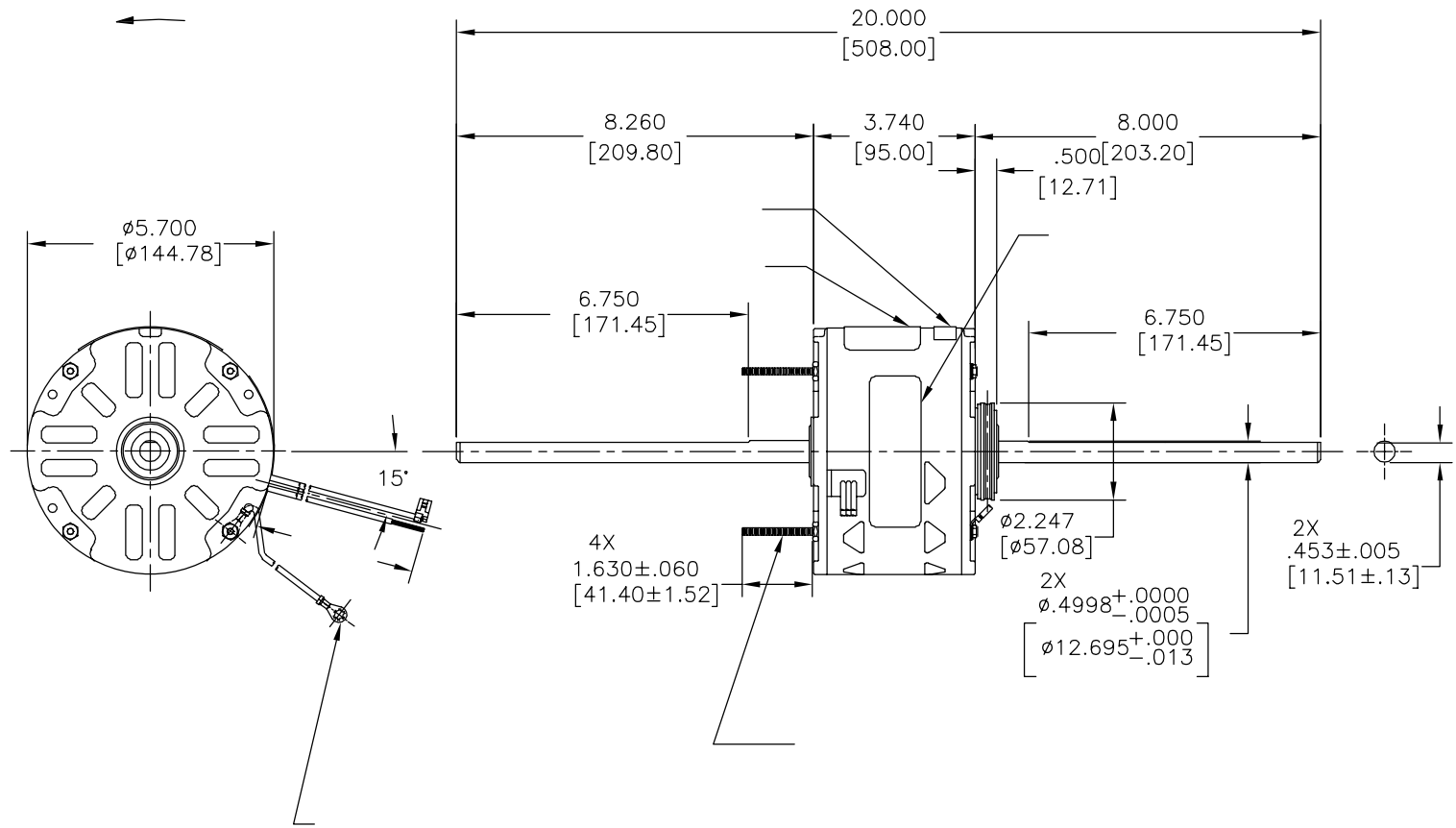
REGAL-BELOIT CORPORATION (RBC)
 PROVEE ASISTENCIA TECNICA A
 NUESTROS CLIENTES EN VARIAS AREAS.
 DESDE QUE RBC NO RECIBE TODOS
 LOS DATOS EN RELACION AL USO Y A
 LA APLICACION DEL MOTOR, LA
 APLICACION ADECUADA DEL MOTOR
 DEBE SER DETERMINADA POR EL
 CLIENTE.

DIMENSIONES SIN TOLERANCIA SON
 DE REFERENCIA SOLAMENTE

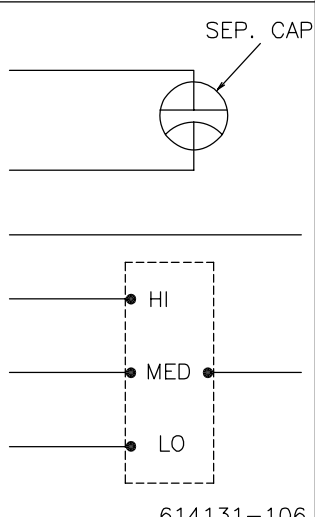
DIBUJADO POR:
 ANDERSON
 05-12-1995
 APROBADO POR:
 D. CORB
 12-21-1995
 TERCER ANGULO
 DE PROYECCION
 CONFIDENCIAL: ESTE DIBUJO Y SU INFORMACION
 SON PROPIEDAD DE USO EXCLUSIVO Y CONFIDENCIAL DE
 REGAL-BELOIT CORPORATION. Y NO DEBERAN SER REVELADOS,
 DUPLICADOS, DISTRIBUIDOS O USARSE DE OTRA MANERA
 SIN EL CONSENTIMIENTO ESCRITO DE REGAL-BELOIT
 CORPORATION. -TODOS LOS DERECHOS RESERVADOS.

REGAL-BELOIT CORPORATION
 DESCRIPCION:
 MODEL-RFHP-48FR
 OUTLINE
 TAMAÑO: C
 NUMERO DE DIBUJO:
 11773-044
 ESCALA: NONE
 HOJA: 1

版本	ECO	编制	日期	批准	日期
D	0025575	A. ARREOLA	05-01-2012	D. BALDERRAMA	05-01-2012



MODEL NO.: F48SD6L6
 CUST. P/N: []
 HP: 1/8
 ROT.: CCWLE
 RPM: 1075/3 SPD
 TYPE: UF
 FRAME: 48Y
 VOLTS: 208-230
 PH: 1
 AMPS: 0.75 (0.9 MAX)
 HZ: 60/50
 INS.: A
 AMB.: 40°C
 DUTY: AIR OVER
 CAP.: 5 MFD/370 V
 ENCL: SEMI-ENCL.
 UL LOGO
 CSA LOGO
 THERMALLY PROTECTED



	29.0/31.0	
	[737/787]	
	35.0/37.0	
	[889/940]	
	35.0/37.0	
	[889/940]	
	35.0/37.0	
	[889/940]	
	35.0/37.0	
	[889/940]	
	35.0/37.0	
	[889/940]	
	35.0/37.0	
	[889/940]	

C23103	12.6 OZ. FT.	EX11262	E46412	PRGY2	LR43341	260-Ø-0
--------	--------------	---------	--------	-------	---------	---------

- 形位公差
- 平面度
- 直线度
- ∠ 倾斜度
- ⊥ 垂直度
- ∥ 平行度
- 圆度
- ⊘ 圆柱度
- △ 面轮廓度
- ∇ 线轮廓度
- ↗ 圆跳动
- ⊕ 位置度
- ◎ 同轴度
- ≡ 对称度

ASME Y14.5M 1994

REGAL-BELOIT CORPORATION (RBC) 在个别领域为客户提供技术支持。鉴于RBC未收到任何涉及电机使用和应用环境的数据，电机的适用性由客户自己决定。

未注公差尺寸仅供参考。

绘图: ANDERSON 05-12-1995
 批准: D. CORB 12-21-1995
 第三角投影
 机密: 本图纸及相关信息所有权归REGAL-BELOIT CORPORATION。未经REGAL-BELOIT CORPORATION书面授权，不得泄露、复制、传播或作其他用途。—版权所有



名称: MODEL-RFHP-48FR OUTLINE
 图幅: C 图号: 11773-044
 比例: NONE 页号: 1