

4

3

2

1

GENERAL INFORMATION:

SHAFT RUNOUT: .001 [.03] T.I.R. PER INCH LENGTH OF EXTENSION

BEARINGS: BALL

MOUNTING POSITION: ALL ANGLE

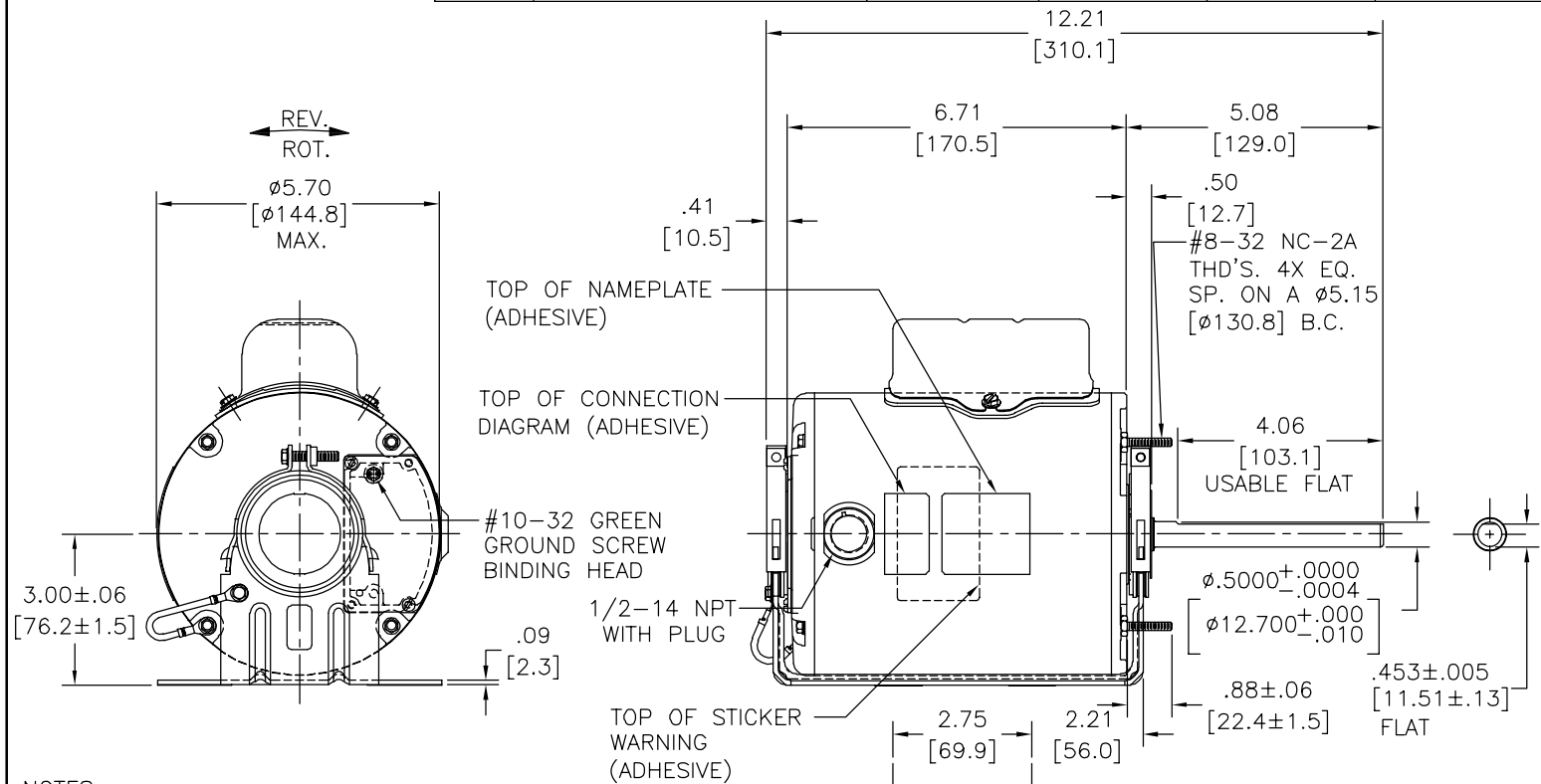
ELECTRICAL DATA:

OVERLOAD PROTECTOR: AUTOMATIC RESET (T.I. 7AM 036)

LEADS: NO. 18 GA., .03 [.8] THK. XLP 125°C INSUL.

GROUND LEAD: NO. 18 GA., .03 [.8] THK., GREEN/YELLOW INSUL.

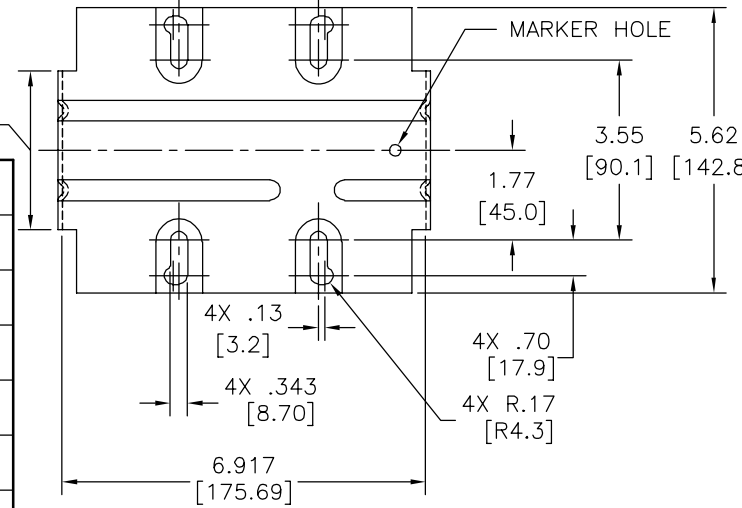
REV	ECO	REV BY	DATE	APPD	DATE
H	0025527	J.AGUILERA	04-24-2012	R.RASCON	04-24-2012



NOTES:

- SHIP SEPARATE 2010094-001 BAG ASSEMBLY.
- MOTOR TO BE SHIPPED CONNECTED FOR CCWLE ROTATION AND 115 VOLTS.

GREEN/YELLOW (GROUND)	CONNECTED TO BASE	#10 EYELET
RED	CONNECTED TO CAPACITOR	.25 [6.4] FLAG
RED	CONNECTED TO CAPACITOR	.25 [6.4] FLAG
YELLOW	5.0/7.0 [127/178]	.25 [6.4] FLAG
BLACK	5.0/7.0 [127/178]	.25 [6.4] FLAG
ORANGE	5.0/7.0 [127/178]	.25 [6.4] FLAG
WHITE	5.0/7.0 [127/178]	.25 [6.4] FLAG
RED	5.0/7.0 [127/178]	.25 [6.4] FLAG
BROWN	5.0/7.0 [127/178]	.25 [6.4] FLAG
YELLOW/BLACK	5.0/7.0 [127/178]	.25 [6.4] FLAG
COLOR	LENGTH	TERMINAL OR STRIP LENGTH



MAIN FRAME - OLE	ENCLOSED
END FRAME - OLE	ENCLOSED
MAIN FRAME - LE	ENCLOSED
END FRAME - LE	ENCLOSED

CUSTOMER	DISTRIBUTION SERVICE
----------	----------------------

NAMEPLATE DATA:	EXTERNAL CONNECTION DIAGRAM
MODEL NO.: F48Y58A01 CUST. P/N: 732A HP: 1/3 ROT.: REVERSIBLE RPM: 1140 TYPE: UF FRAME: 48Y VOLTS: 115/208-230 PH: 1 AMPS: 3.3/1.7 HZ: 60 INS.: B AMB.: 60° C DUTY: AIR OVER CAP.: 5 MFD/370 V ENCL: ENCLOSED UL LOGO CSA LOGO THERMALLY PROTECTED	

PERFORMANCE CURVE NO.	TORQUE @ 1140 RPM (25°C)	APPROVED SAMPLE	UL COMPONENT FILE #	CCN #	CSA FILE #	CLASS #
C32631	18.8 OZ. FT.	0601683A	E46412	PRGY2	LR43341	4211-01

GEOMETRIC CHARACTERISTICS & SYMBOLS
 □ FLATNESS
 — STRAIGHTNESS
 < ANGLARITY
 ⊥ PERPENDICULARITY (SQUARENESS)
 // PARALLELISM
 ○ ROUNDNESS (CIRCULARITY)
 ∅ CYLINDRICITY
 △ PROFILE OF ANY SURFACE
 ∩ PROFILE OF ANY LINE
 ↑ RUNOUT
 ⊕ TRUE POSITION
 ⊙ CONCENTRICITY
 = SYMMETRY
 ASME Y14.5M 1994

REGAL-BELOIT CORPORATION (RBC) PROVIDES TECHNICAL ASSISTANCE TO OUR CUSTOMERS IN SEVERAL AREAS. SINCE RBC DOES NOT RECEIVE ALL DATA CONCERNING THE USE AND APPLICATION OF THE MOTOR, THE SUITABILITY OF THE MOTOR FOR THE APPLICATION MUST BE DETERMINED BY THE CUSTOMER.
 DIMENSIONS WITHOUT TOLERANCES ARE FOR REFERENCE ONLY.

DR BY: kberry 02-25-2008
 APPD: TR 02-25-2008
 EDS DATE 11-11-2011
 FORMAT REV G
 THIRD ANGLE PROJECTION
 CONFIDENTIAL: THIS DRAWING AND ITS INFORMATION ARE THE EXCLUSIVE AND CONFIDENTIAL PROPERTY OF REGAL-BELOIT CORPORATION AND ARE NOT TO BE DISCLOSED, DUPLICATED, DISTRIBUTED OR OTHERWISE USED WITHOUT THE WRITTEN CONSENT OF REGAL-BELOIT CORPORATION. -ALL RIGHTS RESERVED.

REGAL-BELOIT CORPORATION
 DESCRIPTION: MODEL-RFHP-48FR OUTLINE
 SIZE: C DWG NO: 732A
 SCALE: NONE SHEET: 1

4

3

2

1

4

3

2

1

REVISION:	ECO	REVISADO POR:	FECHA:	APROBADO POR:	FECHA:
H	0025527	J.AGUILERA	04-24-2012	R.RASCON	04-24-2012

INFORMACION GENERAL:

OSCILACION DE FLECHA: .001 [.03] T.I.R. PER INCH LENGTH OF EXTENSION

BALEROS: BALERO

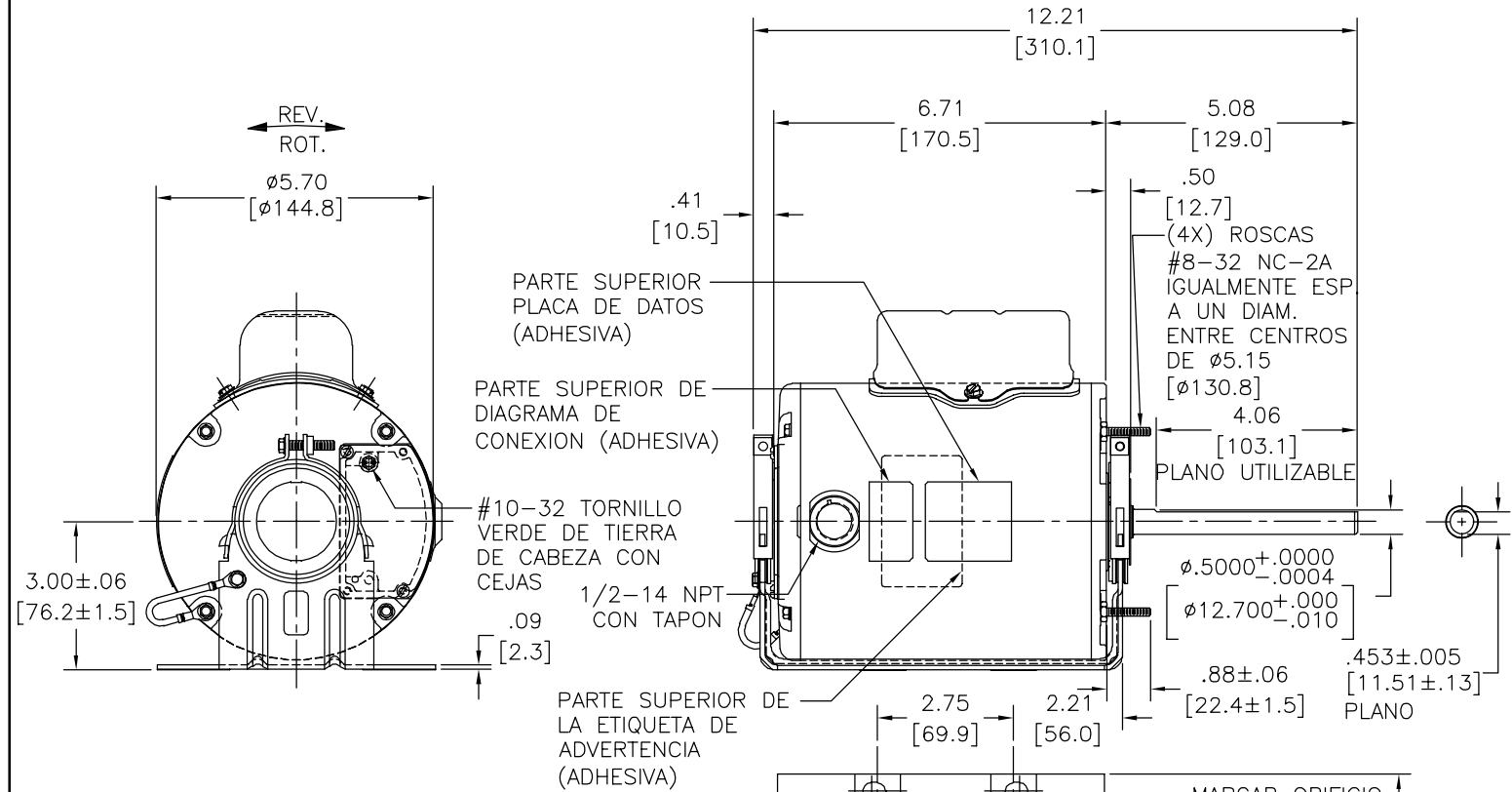
POSICION DEL MONTAJE: TODOS LOS ANGULOS

INFORMACION ELECTRICA:

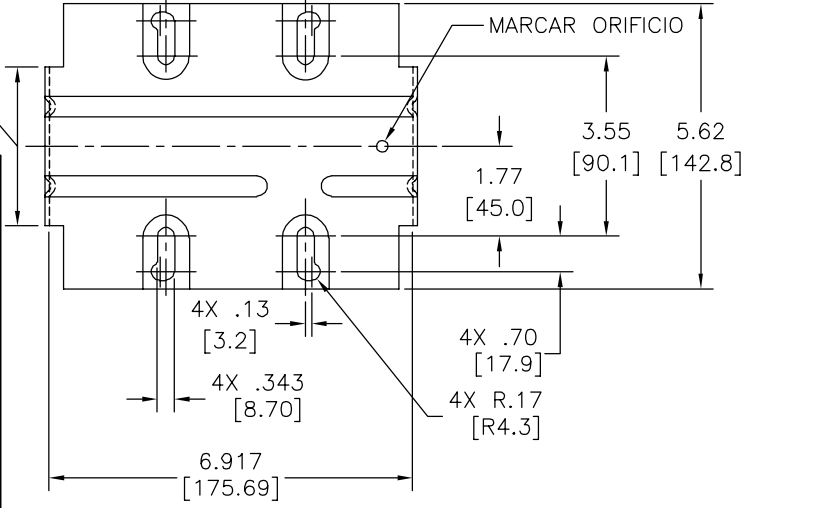
PROTECTOR DE SOBRECARGA: REINICIO AUTOMATIC (T.I. 7AM 036)

CABLES: NO. 18 GA., .03 [.8] THK. XLP 125°C AISLAM.

CABLE DE TIERRA: NO. 18 GA., .03 [.8] THK. (VERDE/AMARILLO) AISLAM.

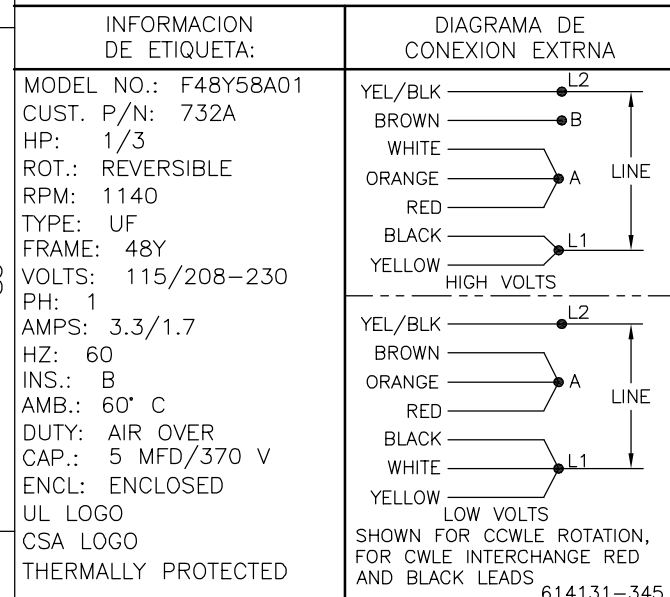


VERDE/AMARILLO (TIERRA)	CONECTADO A LA BASE	OJAL #10
ROJO	CONECTADO AL CAPACITOR	.25 [6.4] BANDERA
ROJO	CONECTADO AL CAPACITOR	.25 [6.4] BANDERA
AMARILLO	5.0/7.0 [127/178]	.25 [6.4] BANDERA
NEGRO	5.0/7.0 [127/178]	.25 [6.4] BANDERA
NARANJA	5.0/7.0 [127/178]	.25 [6.4] BANDERA
BLANCO	5.0/7.0 [127/178]	.25 [6.4] BANDERA
ROJO	5.0/7.0 [127/178]	.25 [6.4] BANDERA
CAFE	5.0/7.0 [127/178]	.25 [6.4] BANDERA
AMARILLO/NEGRO	5.0/7.0 [127/178]	.25 [6.4] BANDERA
COLOR	LONGITUD	TERMINAL O LONGITUD DE DESFORRE



CARCASA - LOC	ENCERRADO
TAPA - LOC	ENCERRADO
CARCASA - LC	ENCERRADO
TAPA - LC	ENCERRADO

CLIENTE	DISTRIBUTION SERVICE
---------	----------------------



CURVAS DE FUNCIONAMIENTO	TORSION @ 1140 RPM (25°C)	MUESTRA APROBADA	COMPONENTE UL	CSA
C32631	18.8 OZ. FT.	0601683A	#ARCHIVO PRGY2 LR43341	CCN # 4211-01

CARACTERISTICAS DE GEOMETRIA Y SIMBOLOS

- PLANICIDAD
- RECTITUD
- ∠ ANGULARIDAD
- ⊥ PERPENDICULARIDAD (A ESCUADRA)
- // PARALELISMO
- REDONDEZ (CIRCULARIDAD)
- ∅ CILINDRICIDAD
- △ PERFIL DE CUALQUIER SUPERFICIE
- ∩ PERFIL DE CUALQUIER LINEA
- ∧ VARIACION
- ⊕ POSICION REAL
- ◎ CONCENTRICIDAD
- = SIMETRIA

ASME Y14.5M 1994

REGAL-BELOIT CORPORATION (RBC) PROVEE ASISTENCIA TECNICA A NUESTROS CLIENTES EN VARIAS AREAS. DESDE QUE RBC NO RECIBE TODOS LOS DATOS EN RELACION AL USO Y A LA APLICACION DEL MOTOR, LA APLICACION ADECUADA DEL MOTOR DEBE SER DETERMINADA POR EL CLIENTE.

DIMENSIONES SIN TOLERANCIA SON DE REFERENCIA SOLAMENTE

DIBUJADO POR: kberry 02-25-2008

APROBADO POR: TR 02-25-2008

TERCER ANGULO DE PROYECCION

FECHA EDS: 11-11-2011

REV. FORMATO: G

CONFIDENCIAL: ESTE DIBUJO Y SU INFORMACION SON PROPIEDAD DE USO EXCLUSIVO Y CONFIDENCIAL DE REGAL-BELOIT CORPORATION. Y NO DEBERAN SER REVELADOS, DUPLICADOS, DISTRIBUIDOS O USARSE DE OTRA MANERA SIN EL CONSENTIMIENTO ESCRITO DE REGAL-BELOIT CORPORATION. -TODOS LOS DERECHOS RESERVADOS.

REGAL-BELOIT CORPORATION

DESCRIPCION: MODEL-RFHP-48FR OUTLINE

TAMAÑO: C NUMERO DE DIBUJO: 732A

ESCALA: NONE HOJA: 1

4

3

2

1

4

3

2

1

总技术要求:

轴跳动: .001[.03]/1[25.4]外伸轴

轴承: 球轴承

安装位置: 全方位

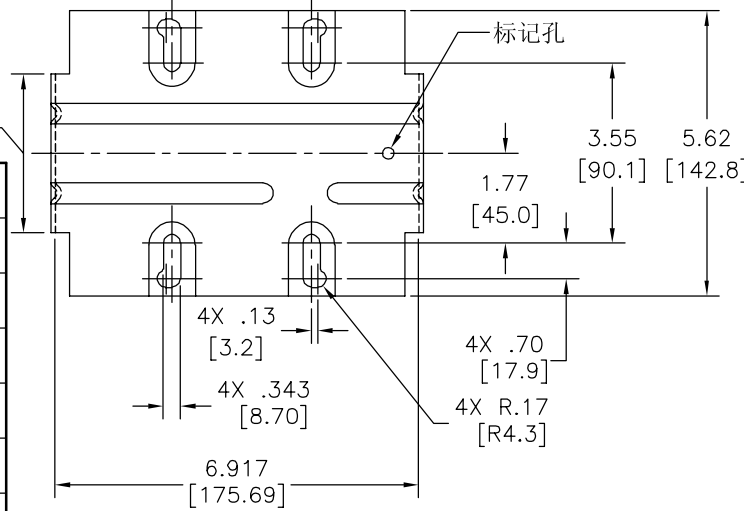
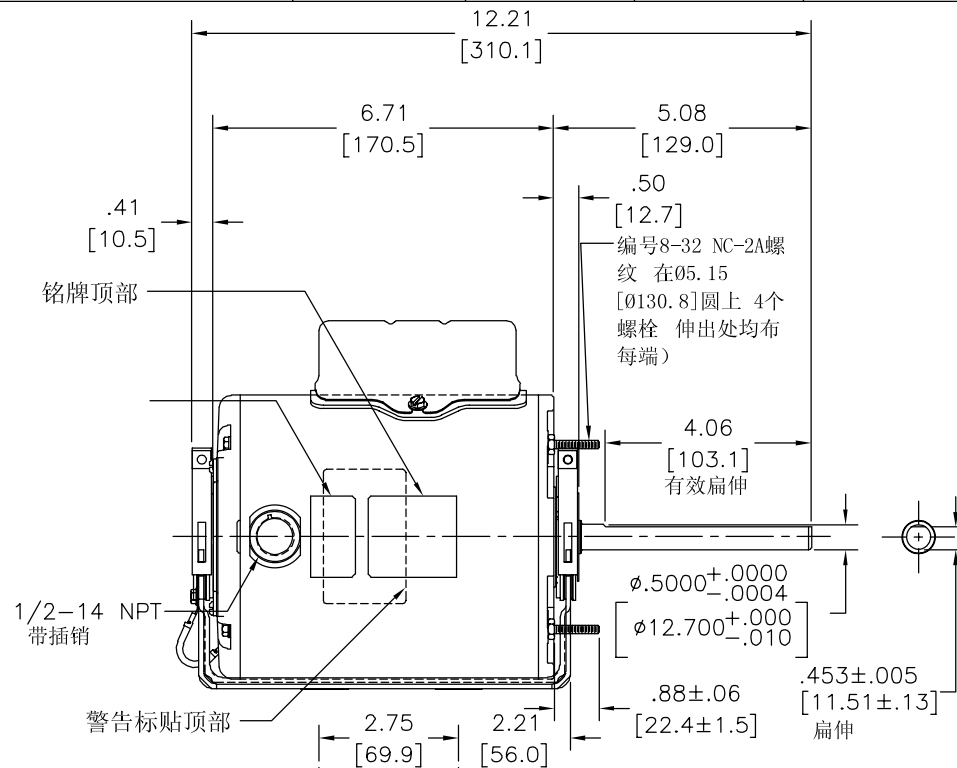
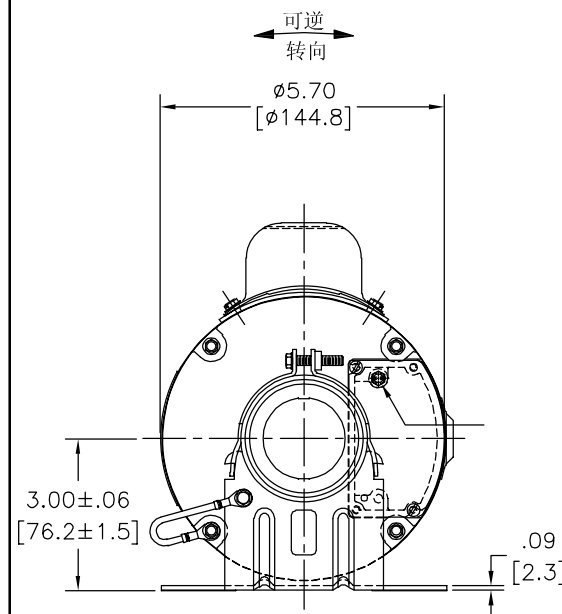
电气数据:

过载保护: 自动复位 (T.I. 7AM 036)

引线: 18# (美制标准), 厚.03[.8] XLP 125° C 绝缘

接地线: 18# (美制标准), 厚.03[0.8]绿色绝缘

版本	ECO	编制	日期	批准	日期
H	0025527	J.AGUILERA	04-24-2012	R.RASCON	04-24-2012



颜色	长度	端子或剥线长度
绿色 (接地线)		#10 带环线
红		.25 [6.4] 旗形插
红		.25 [6.4] 旗形插
蓝	5.0/7.0 [127/178]	.25 [6.4] 旗形插
黑	5.0/7.0 [127/178]	.25 [6.4] 旗形插
棕	5.0/7.0 [127/178]	.25 [6.4] 旗形插
白	5.0/7.0 [127/178]	.25 [6.4] 旗形插
红	5.0/7.0 [127/178]	.25 [6.4] 旗形插
棕	5.0/7.0 [127/178]	.25 [6.4] 旗形插
蓝/黑	5.0/7.0 [127/178]	.25 [6.4] 旗形插

无引线端机壳	密封
无引线端端盖	密封
有引线端机壳	密封
有引线端端盖	密封

用户	DISTRIBUTION SERVICE
----	----------------------

铭牌数据	外部数据线
MODEL NO.: F48Y58A01 CUST. P/N: 732A HP: 1/3 ROT.: REVERSIBLE RPM: 1140 TYPE: UF FRAME: 48Y VOLTS: 115/208-230 PH: 1 AMPS: 3.3/1.7 HZ: 60 INS.: B AMB.: 60° C DUTY: AIR OVER CAP.: 5 MFD/370 V ENCL: ENCLOSED UL LOGO CSA LOGO THERMALLY PROTECTED	<p>YEL/BLK L2 BROWN B WHITE ORANGE A RED BLACK L1 YELLOW HIGH VOLTS</p> <p>YEL/BLK L2 BROWN ORANGE A RED BLACK L1 WHITE YELLOW LOW VOLTS</p> <p>SHOWN FOR CCWLE ROTATION, FOR CWLE INTERCHANGE RED AND BLACK LEADS</p>

性能曲线编号	转矩在 @ 1140 RPM (25° C)	批准样品	UL部件		CSA	
C32631	18.8 OZ. FT.	0601683A	文件号	指南	文件号	指南
			E46412	PRGY2	LR43341	4211-01

- 形位公差
- 平面度
- 直线度
- ∠ 倾斜度
- ⊥ 垂直度
- // 平行度
- 圆度
- ⊘ 圆柱度
- ⊙ 面轮廓度
- △ 线轮廓度
- ∩ 圆跳动
- ⊕ 位置度
- ⊗ 同轴度
- ≡ 对称度

ASME Y14.5M 1994

REGAL-BELOIT CORPORATION (RBC) 在个别领域为客户提供技术支持。鉴于RBC未收到任何涉及电机使用和应用环境的数据, 电机的适用性由客户自己决定。

未注公差尺寸仅供参考。

绘图:	kberry	02-25-2008
批准:	TR	02-25-2008
第三角投影		图纸格式发布日期 11-11-2011 图纸格式版本 G
机密: 本图纸及相关信息所有权归REGAL-BELOIT CORPORATION。未经REGAL-BELOIT CORPORATION书面授权, 不得泄露、复制、传播或作其他用途。一版权所有		

名称		REGAL-BELOIT CORPORATION	
MODEL-RFHP-48FR		OUTLINE	
图幅	C	图号	732A
比例	NONE	页号	1

4

3

2

1