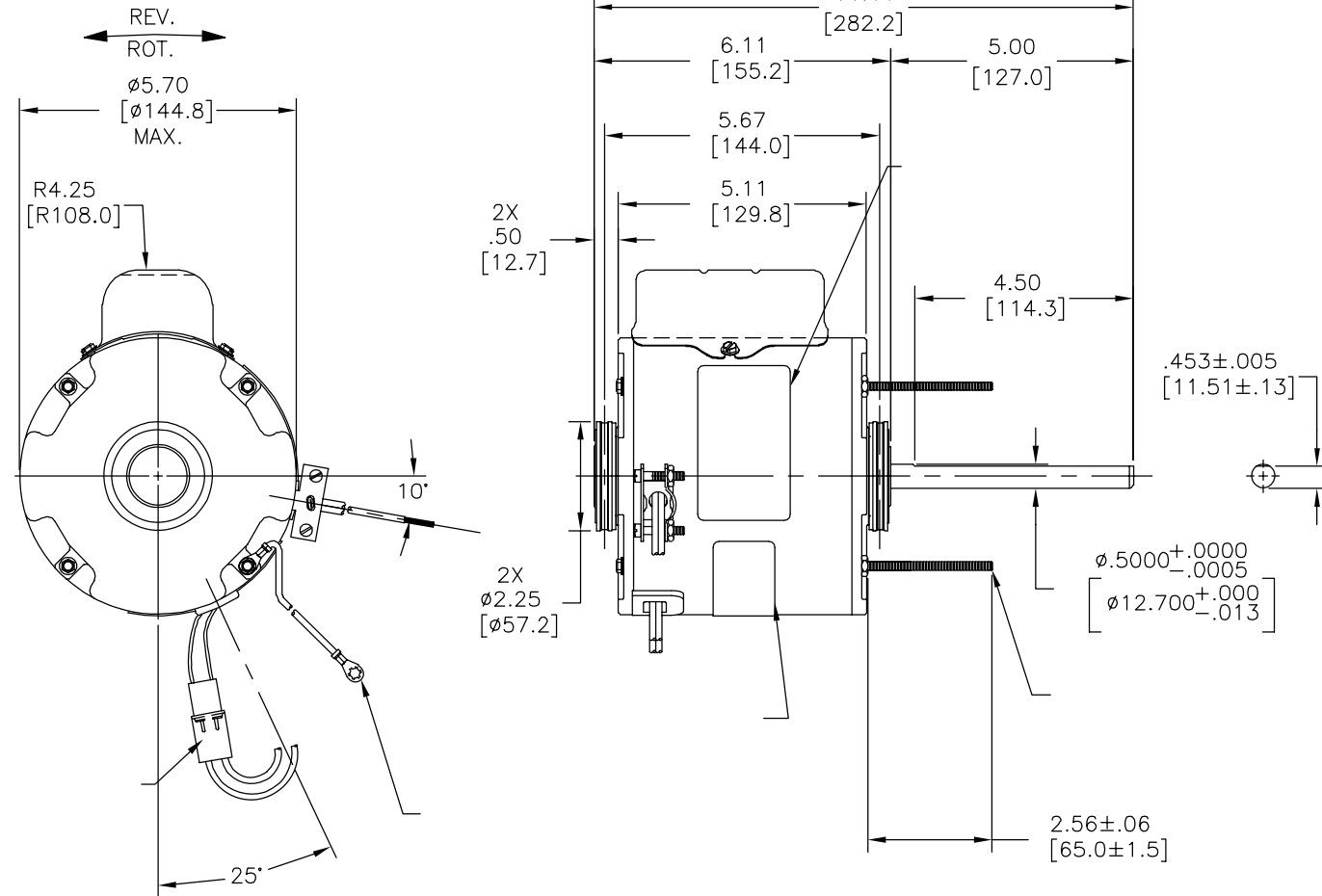
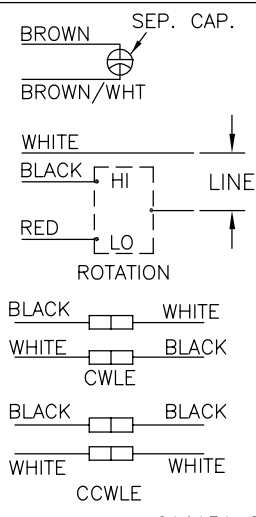


版本	ECO	编制	日期	批准	日期
C	ECO-0034278	A.RODRIGUEZ	07-03-2013	D.MUÑOZ	07-03-2013



MODEL NO.: F48U74A01
 CUST. P/N: []
 HP: 1/3
 ROT.: REVERSIBLE
 RPM: 1100 (2 SPD)
 TYPE: UF
 FRAME: 48Y
 VOLTS: 230
 PH: 1
 AMPS: 1.7 - 1.1
 HZ: 60
 INS.: B
 AMB.: 40°C
 DUTY: AIR OVER
 CAP.: 6 MFD/370V
 ENCL: ENCLOSED
 UL LOGO
 CSA LOGO
 THERMALLY PROTECTED



614131-308

	11.0/13.0 [279/330]	
	3.0/5.0 [76/127]	
	58.0/62.0 [1473/1575]	
	58.0/62.0 [1473/1575]	
	58.0/62.0 [1473/1575]	
COLOR		

DISTRIBUTION SERVICE

- 形位公差
- 平面度
- 直线度
- ∠ 倾斜度
- ⊥ 垂直度
- // 平行度
- 圆度
- ⊘ 圆柱度
- ⊙ 圆跳动
- △ 面轮廓度
- ∩ 线轮廓度
- ↗ 圆跳动
- ⊕ 位置度
- ⊙ 同轴度
- ≡ 对称度

ASME Y14.5M 1994

REGAL-BELOIT CORPORATION (RBC) 在个别领域为客户提供技术支持。鉴于RBC未收到任何涉及电机使用和应用环境的数据，电机的适用性由客户自己决定。

未注公差尺寸仅供参考。

绘图: TH 02-18-2011
 批准: BS 02-18-2011
 第三角投影
 图纸格式发布日期 11-11-2011
 图纸格式版本 H
 机密: 本图纸及相关信息所有权归REGAL-BELOIT CORPORATION。未经REGAL-BELOIT CORPORATION书面授权, 不得泄露、复制、传播或作其他用途。—版权所有

REGAL REGAL-BELOIT CORPORATION

名称
 MODEL-RFHP-48FR
 OUTLINE

图幅 C 图号 F48U74A01

比例 NONE 页号 1

4

3

2

1

REV	ECO	REV BY	DATE	APPD	DATE
C	ECO-0034278	A.RODRIGUEZ	07-03-2013	D.MUÑOZ	07-03-2013

GENERAL INFORMATION:

SHAFT RUNOUT: .001[.03] T.I.R. PER INCH LENGTH OF EXTENSION

BEARINGS: BALL

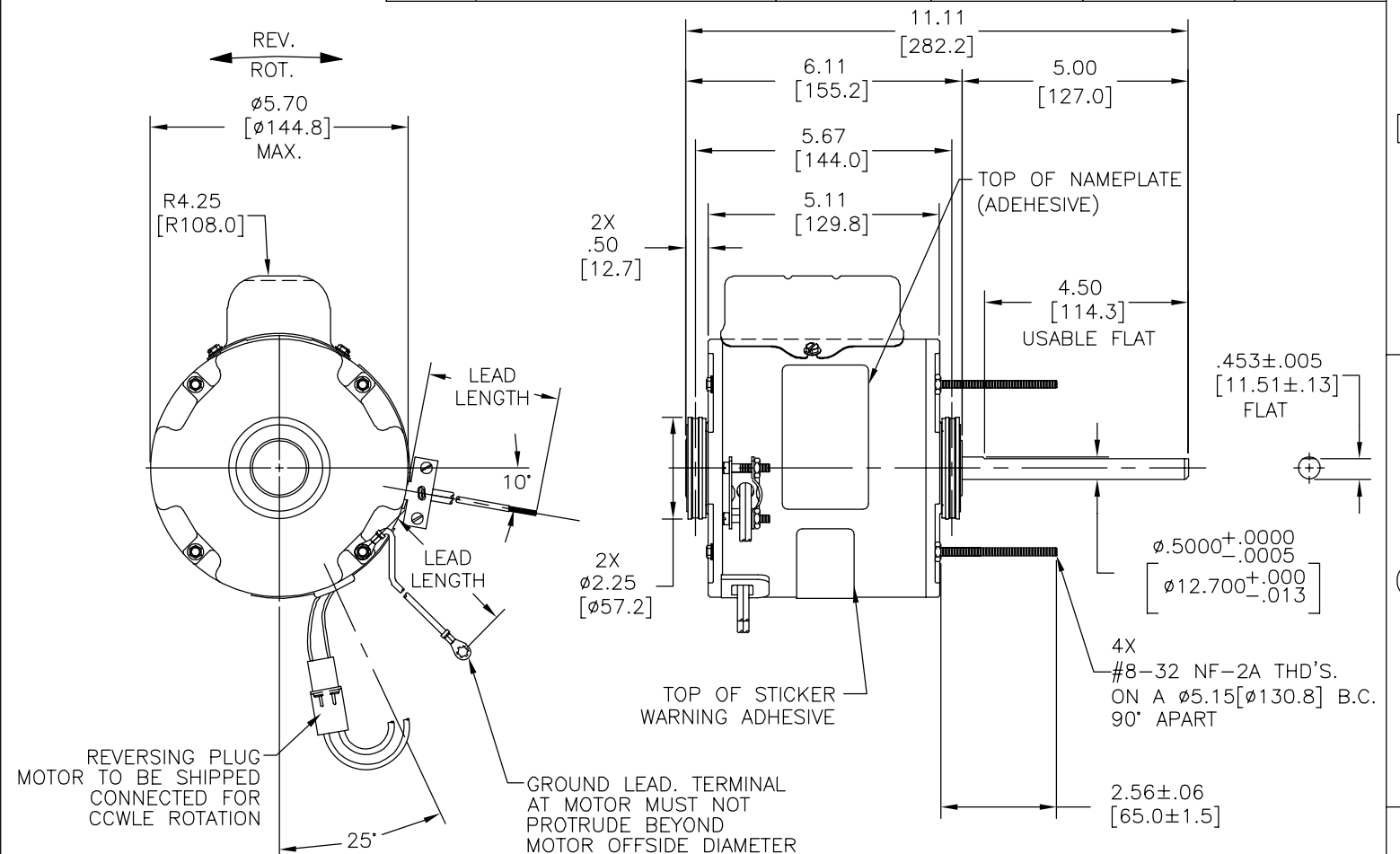
MOUNTING POSITION: ALL ANGLE

ELECTRICAL DATA:

OVERLOAD PROTECTOR: AUTOMATIC RESET (SENSATA 7AM 036)

LEADS: NO. 18 GA., .03[.8] THK. CROSS-LINKED POLYETHELENE 125°C INSUL.

GROUND LEAD: NO. 18 GA., .03[.8] THK. (GREEN) INSUL.

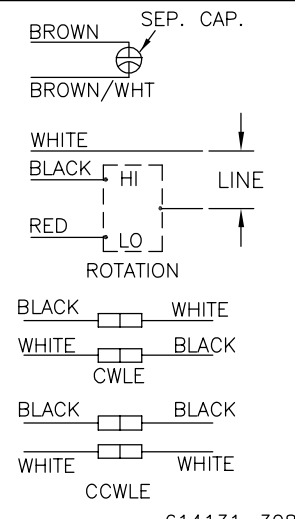


NAMEPLATE DATA:

MODEL NO.: F48U74A01
 CUST. P/N: []
 HP: 1/3
 ROT.: REVERSIBLE
 RPM: 1100 (2 SPD)
 TYPE: UF
 FRAME: 48Y
 VOLTS: 230
 PH: 1
 AMPS: 1.7 - 1.1
 HZ: 60
 INS.: B
 AMB.: 40°C
 DUTY: AIR OVER
 CAP.: 6 MFD/370V
 ENCL: ENCLOSED
 UL LOGO
 CSA LOGO
 THERMALLY PROTECTED

SEE NOTE 2

EXTERNAL CONNECTION DIAGRAM



GREEN(GRD)	11.0/13.0 [279/330]	#10 EYELET
BLACK/WHITE	3.0/5.0 [76/127]	REVERSING PLUG
WHITE	58.0/62.0 [1473/1575]	.60[15.2] SKIN
RED	58.0/62.0 [1473/1575]	.60[15.2] SKIN
BLACK	58.0/62.0 [1473/1575]	.60[15.2] SKIN
BROWN/WHITE	CONNECTED TO CAPACITOR	.25[6.4] FLAG
BROWN	CONNECTED TO CAPACITOR	.25[6.4] FLAG
COLOR	LENGTH	TERMINAL OR STRIP LENGTH

- NOTES:
- SPLIT RINGS 615035, 4 REQ'D, TO BE SHIPPED WITH EACH MOTOR
 - DISTRIBUTION PART NUMBER: UHH1036NB

MAIN FRAME - OLE	ENCLOSED
END FRAME - OLE	ENCLOSED
MAIN FRAME - LE	ENCLOSED
END FRAME - LE	ENCLOSED

CUSTOMER	DISTRIBUTION SERVICE
----------	----------------------

PERFORMANCE CURVE NO.	TORQUE @ 1100 RPM (25°C)	APPROVED SAMPLE	UL COMPONENT FILE #	CCN #	CSA FILE #	CLASS #
C32253	22.5 OZ. FT.	0442543A	E46412	PRGY2	LR43341	4211-01

GEOMETRIC CHARACTERISTICS & SYMBOLS

- FLATNESS
- STRAIGHTNESS
- ANGULARITY
- PERPENDICULARITY (SQUARENESS)
- PARALLELISM
- ROUNDNESS (CIRCULARITY)
- CYLINDRICITY
- PROFILE OF ANY SURFACE
- PROFILE OF ANY LINE
- RUNOUT
- TRUE POSITION
- CONCENTRICITY
- SYMMETRY

ASME Y14.5M 1994

REGAL-BELOIT CORPORATION (RBC) PROVIDES TECHNICAL ASSISTANCE TO OUR CUSTOMERS IN SEVERAL AREAS. SINCE RBC DOES NOT RECEIVE ALL DATA CONCERNING THE USE AND APPLICATION OF THE MOTOR, THE SUITABILITY OF THE MOTOR FOR THE APPLICATION MUST BE DETERMINED BY THE CUSTOMER.

DIMENSIONS WITHOUT TOLERANCES ARE FOR REFERENCE ONLY.

DR BY: TH 02-18-2011

APPD: BS 02-18-2011

THIRD ANGLE PROJECTION

EDS DATE 11-11-2011
 FORMAT REV H

CONFIDENTIAL: THIS DRAWING AND ITS INFORMATION ARE THE EXCLUSIVE AND CONFIDENTIAL PROPERTY OF REGAL-BELOIT CORPORATION AND ARE NOT TO BE DISCLOSED, DUPLICATED, DISTRIBUTED OR OTHERWISE USED WITHOUT THE WRITTEN CONSENT OF REGAL-BELOIT CORPORATION. -ALL RIGHTS RESERVED.

REGAL REGAL-BELOIT CORPORATION

DESCRIPTION: MODEL-RFHP-48FR OUTLINE

SIZE: C DWG NO: F48U74A01

SCALE: NONE SHEET: 1

4

3

2

1

4

3

2

1

REVISION:	ECO	REVISADO POR:	FECHA:	APROBADO POR:	FECHA:
C	ECO-0034278	A.RODRIGUEZ	07-03-2013	D.MUÑOZ	07-03-2013

INFORMACION GENERAL:

OSCILACION DE FLECHA: .001[.03] T.I.R. POR PULGADA LARGO DE LA EXTENSION

BALEROS: BALIN

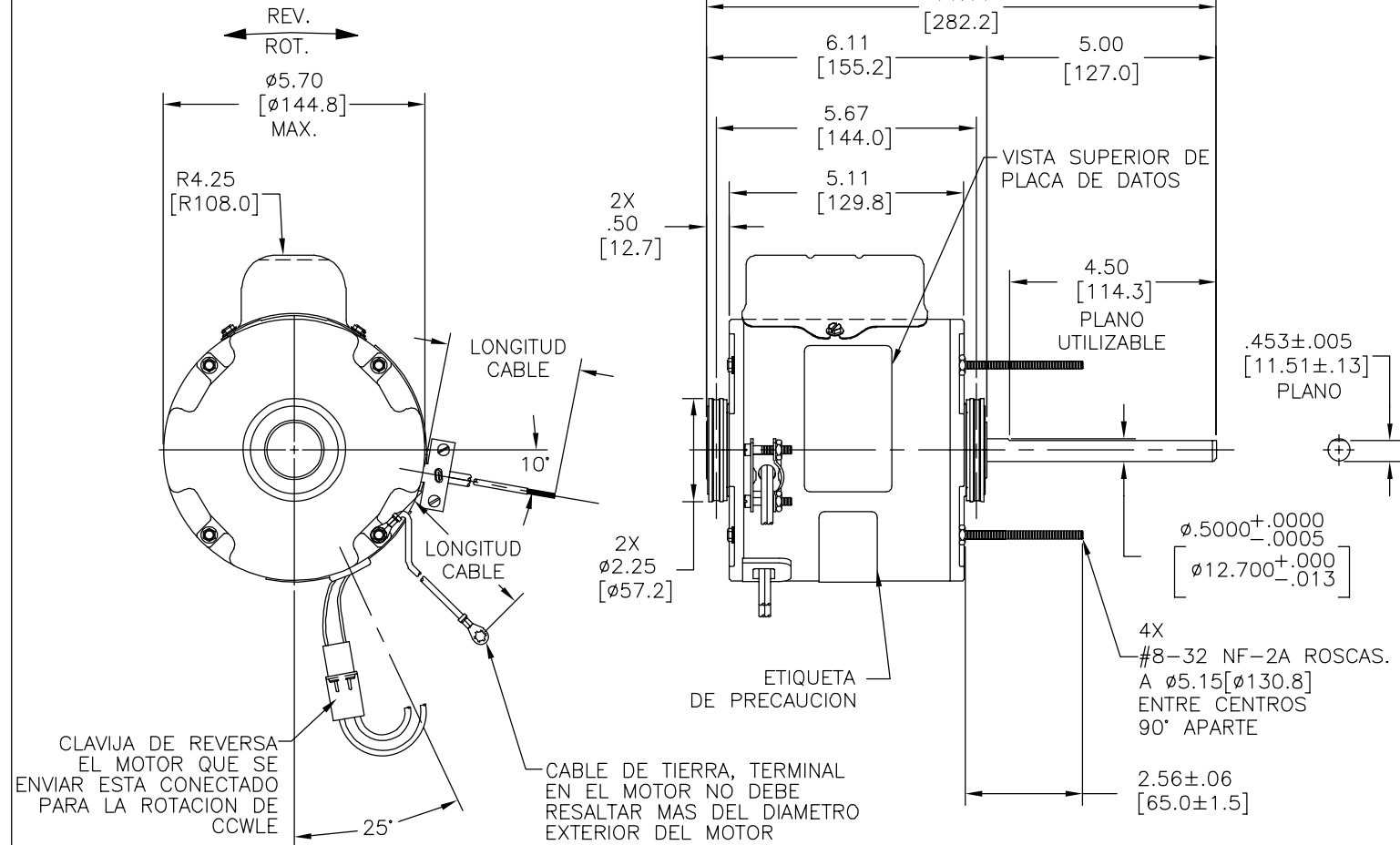
POSICION DE MONTAGE: TODOS LOS ANGULOS

INFORMACION ELECTRICA:

PROTECTOR DE SOBRECARGA: RE-INICIO AUTOMATICO (SENSATA 7AM 036)

CABLES: NO. 18 GA., .03 [.8] ESPESOR. POLIETILENO ENCADENADO 125°C AISLANTE.

CABLE P/TIERRA: NO. 18 GA., .03 [.8] ESPESOR. (VERDE) AISLANTE.

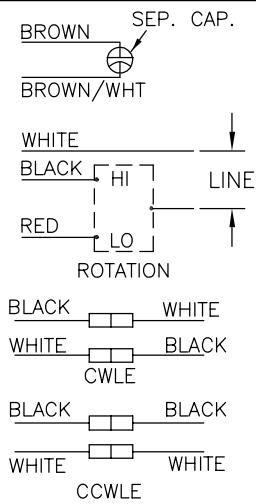


PLACA DE DATOS:

MODEL NO.: F48U74A01
 CUST. P/N: []
 HP: 1/3
 ROT.: REVERSIBLE
 RPM: 1100 (2 SPD)
 TYPE: UF
 FRAME: 48Y
 VOLTS: 230
 PH: 1
 AMPS: 1.7 - 1.1
 HZ: 60
 INS.: B
 AMB.: 40°C
 DUTY: AIR OVER
 CAP.: 6 MFD/370V
 ENCL: ENCLOSED
 UL LOGO
 CSA LOGO
 THERMALLY PROTECTED

VER NOTA 2

DIAGRAMA DE CONEXION EXTERNA



614131-308

VERDE(TIERRA)	11.0/13.0 [279/330]	#10 OJAL
NEGRO/BCO	3.0/5.0 [76/127]	CLAVIJA DE REVERSA
BLANCO	58.0/62.0 [1473/1575]	.60[15.2] DESFORRE
ROJO	58.0/62.0 [1473/1575]	.60[15.2] DESFORRE
NEGRO	58.0/62.0 [1473/1575]	.60[15.2] DESFORRE
CAFE/BCO	CONECTADO AL CAPACITOR	.25[6.4] BANDERA
CAFE	CONECTADO AL CAPACITOR	.25[6.4] BANDERA
COLOR	LONGITUD	TERMINAL LONGITUD DE DESFORRE

- NOTAS:
 1. ANILLO CON RANURA 615035, 4 REQUERIDOS, SE EMBARCAN CON CADA MOTOR
 2. NO. DE PARTE DE DISTRIBUCION: UHH1036NB

CARCAZA PPAL.- OLE	CERRADO
TAPA FINAL - OLE	CERRADO
CARCAZA PPAL.- LE	CERRADO
TAPA FINAL- LE	CERRADO

CLIENTE	DISTRIBUTION SERVICE
---------	----------------------

DESEMPEÑO CURVA No.	TORSION @ 1100 RPM (25°C)	MUESTRA APROBADA	UL COMPONENTE	CSA
C32253	22.5 OZ. FT.	0442543A	E46412 PRGY2	LR43341 4211-01

CARACTERISTICAS DE GEOMETRIA Y SIMBOLOS
 ✓ PLANICIDAD
 — RECTITUD
 < ANGULARIDAD
 ⊥ PERPENDICULARIDAD (A ESCUADRA)
 // PARALELISMO
 ○ REDONDEZ (CIRCULARIDAD)
 ∅ CILINDRICIDAD
 △ PERFIL DE CUALQUIER SUPERFICIE
 ∇ PERFIL DE CUALQUIER LINEA
 ∠ VARIACION
 ⊕ POSICION REAL
 ⊙ CONCENTRICIDAD
 = SIMETRIA
 ASME Y14.5M 1994

REGAL-BELOIT CORPORATION (RBC) PROVEE ASISTENCIA TECNICA A NUESTROS CLIENTES EN VARIAS AREAS. DESDE QUE RBC NO RECIBE TODOS LOS DATOS EN RELACION AL USO Y A LA APLICACION DEL MOTOR, LA APLICACION ADECUADA DEL MOTOR DEBE SER DETERMINADA POR EL CLIENTE.
 DIMENSIONES SIN TOLERANCIA SON DE REFERENCIA SOLAMENTE

DIBUJADO POR: TH 02-18-2011
 APROBADO POR: BS 02-18-2011
 TERCER ANGULO DE PROYECCION
 CONFIDENCIAL: ESTE DIBUJO Y SU INFORMACION SON PROPIEDAD DE USO EXCLUSIVO Y CONFIDENCIAL DE REGAL-BELOIT CORPORATION. Y NO DEBERAN SER REVELADOS, DUPLICADOS, DISTRIBUIDOS O USARSE DE OTRA MANERA SIN EL CONSENTIMIENTO ESCRITO DE REGAL-BELOIT CORPORATION. -TODOS LOS DERECHOS RESERVADOS.

REGAL REGAL-BELOIT CORPORATION
 DESCRIPCION: MODEL-RFHP-48FR OUTLINE
 TAMAÑO: C NUMERO DE DIBUJO: F48U74A01
 ESCALA: NONE HOJA: 1

4

3

2

1