

GENERAL INFORMATION:

SHAFT RUNOUT: .001[.025] T.I.R. PER INCH LENGTH OF EXTENSION

END PLAY: .010 TO .063 [.254 TO 1.600]

BEARINGS: SLEEVE

MOUNTING POSITION: HORIZONTAL

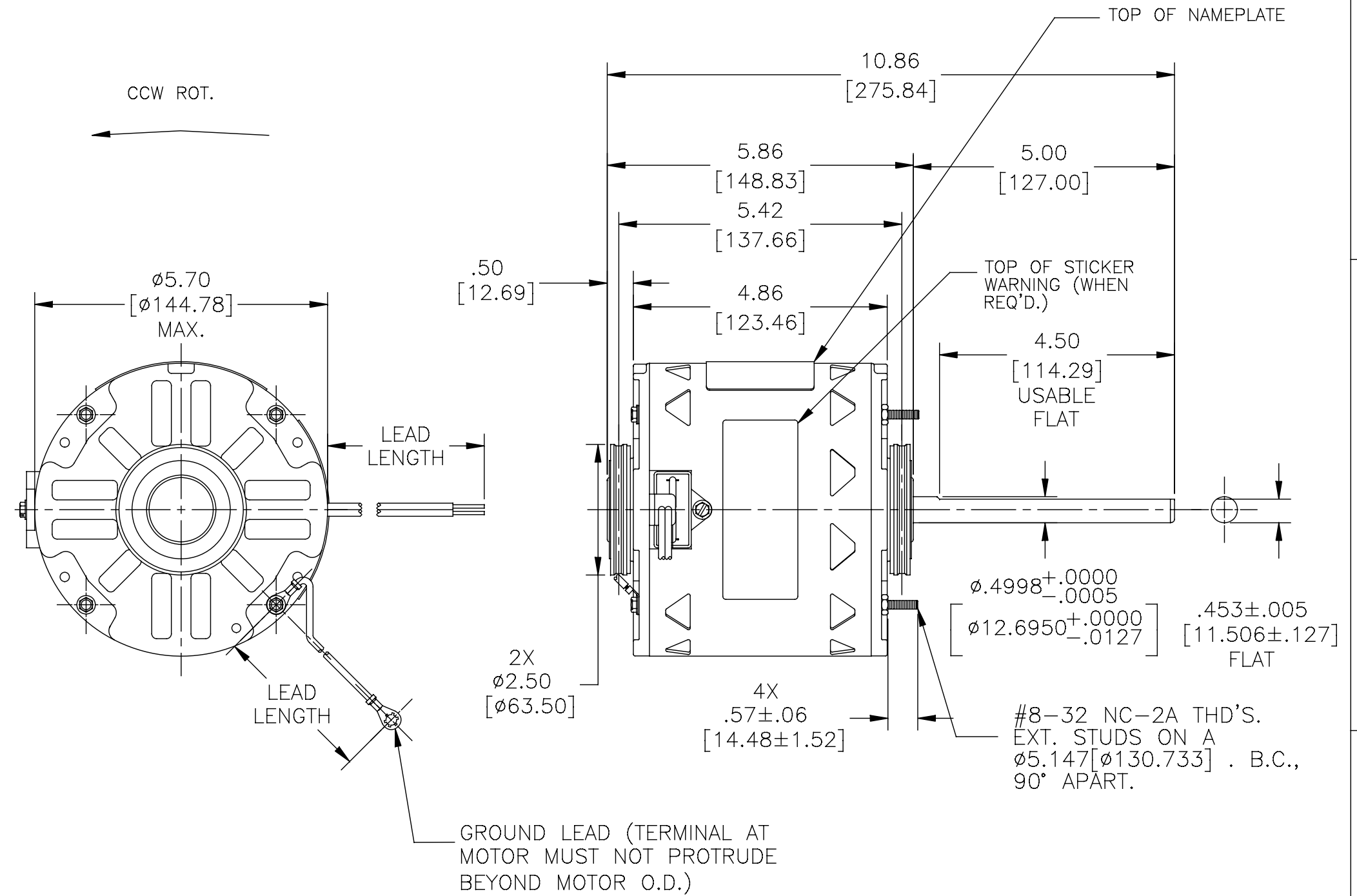
ELECTRICAL DATA:

OVERLOAD PROTECTOR: AUTOMATIC RESET (T.I. 7AM 032)

LEADS: NO. 18 GA., .06[1.52] THK. 125°C INSUL.

GROUND LEADS: NO. 18 GA., .03[.76] THK. (GREEN) INSUL.

NAMEPLATE DATA:		EXTERNAL CONNECTION DIAGRAM	
MODEL NO.: F48H21A01	CUST. P/N: FSP4026S	CONNECTION DIAGRAM	
HP: 1/4	ROT.: CCWLE		
RPM: 1050	TYPE: UF		
FRAME: 48Y	VOLTS: 115		
PH: 1	AMPS: 4.0(4.2 MAX.)		
HZ: 60	INS.: A		
AMB.: 40°C	DUTY: AIR OVER		
CAP.: 5 MFD/250 V	ENCL: OPEN		
UL LOGO	THERMALLY PROTECTED		
614131-231			



COLOR	LENGTH	TERMINAL OR STRIP LENGTH
GREEN (GRD)	9.0/11.0 [228.6/279.4]	#10 EYELET
BROWN	CONNECTED TO CAPACITOR	.19[4.83] FEMALE SPADE
BROWN	CONNECTED TO CAPACITOR	.19[4.83] FEMALE SPADE
2 COND RIP CORD	29.0/31.0 [736.6/787.4]	.60[15.24] SKIN

ENCLOSURE	
MAIN FRAME - OLE	OPEN
END FRAME - OLE	OPEN
MAIN FRAME - LE	OPEN
END FRAME - LE	OPEN

PERFORMANCE CURVE NO.	TORQUE @1050 RPM (25°C)	APPROVED SAMPLE	UL COMPONENT		CSA	
			FILE #	CCN #	FILE #	CLASS #
C31383	23.4 OZ. FT.	96AC219B	E46412	PRGY2		

LEAD DATA		
DRAWING REVISION	REVISION BY	DATE
A	J.CHAI	10-28-2015
ECO	APPROVED BY	DATE
ECO-0087717	-	10-28-2015
ECO DESCRIPTION SEE ECO		

DRAWN BY:	REGAL™ Regal Beloit America, Inc.	
DATE:	DESCRIPTION OUTLINE MOTOR	
APPROVED BY:	MATERIAL	
DATE:	SIZE DWG NO	
PROCESS/FINISH	FSP4026S	
THIRD ANGLE PROJECTION	SHEET 1	

COPYRIGHT REGAL BELOIT AMERICA, INC. ALL RIGHTS RESERVED. PROPRIETARY AND CONFIDENTIAL INFORMATION - THIS DOCUMENT IS THE PROPERTY OF REGAL BELOIT AMERICA, INC. ("OWNER") AND CONTAINS OWNER'S PROPRIETARY INFORMATION. ANY PERSON, CORPORATION OR OTHER FIRM RECEIVING IT IS DEEMED, BY RECEIVING IT, TO AGREE THAT IT, AND/OR ANY PART OF IT, SHALL NOT BE DISCLOSED TO ANY PERSON, CORPORATION OR OTHER ENTITY, DUPLICATED, AND/OR USED, EXCEPT AS EXPRESSLY APPROVED IN WRITING IN ADVANCE BY OWNER. THIS DOCUMENT SHALL BE RETURNED TO OWNER UPON REQUEST. IT MAY BE SUBJECT TO CERTAIN RESTRICTIONS UNDER APPLICABLE EXPORT CONTROL LAWS AND REGULATIONS.