

4

3

2

1

REV	ECO	REV BY	DATE	APPD	DATE
A	0024033	B.ZHAO	01-19-2012	B.SHEN	01-19-2012

GENERAL INFORMATION:

SHAFT RUNOUT: .001[.03] T.I.R. PER INCH LENGTH OF EXTENSION.

END PLAY: .010[.03] TO .063[1.60]

BEARINGS: SLEEVE

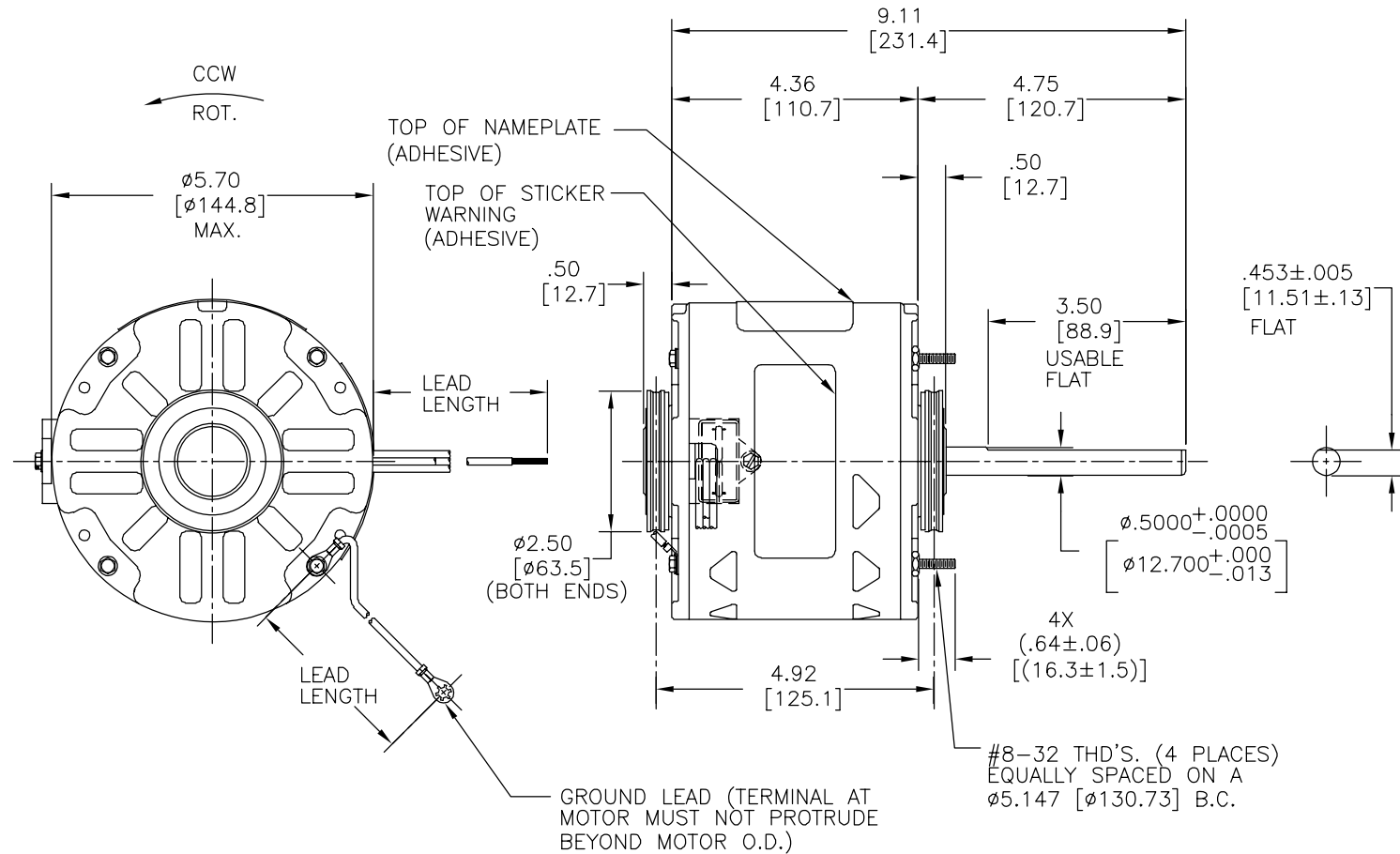
MOUNTING POSITION: HORIZONTAL

ELECTRICAL DATA:

OVERLOAD PROTECTOR: AUTOMATIC RESET (T.I. 7AM 032)

LEADS: NO. 18 GA., .03[.8] THK., 125°C INSUL.

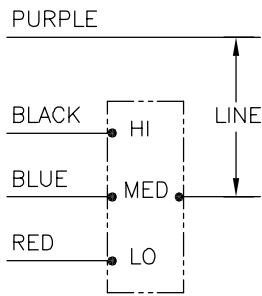
GROUND LEAD: NO. 18 GA., .03[.8] THK., (GREEN) INSUL.



NAMEPLATE DATA:

EXTERNAL CONNECTION DIAGRAM

MODEL NO.: F48H91A01
 CUST. P/N: FSP4016H
 HP: 1/5
 ROT.: CCWLE
 RPM: 1050/3 SPD.
 TYPE: UF
 FRAME: 48Y
 VOLTS: 208-230
 PH: 1
 AMPS: 1.5 (2.0 MAX)
 HZ: 60
 INS.: A
 AMB.: 40° C
 DUTY: AIR OVER
 CAP.: 5 MFD/250 V
 ENCL: SEMI-ENCL.
 UL LOGO
 THERMALLY PROTECTED



614131-251

GREEN(GRD)	9.0/11.0 [229/279]	#10 EYELET
BROWN	CONNECTED TO CAPACITOR	.19[4.8] FEMALE SPADE
BROWN	CONNECTED TO CAPACITOR	.19[4.8] FEMALE SPADE
PURPLE	29.0/32.0 [737/813]	.60[15.2] SKIN
BLACK	29.0/32.0 [737/813]	.60[15.2] SKIN
BLUE	29.0/32.0 [737/813]	.60[15.2] SKIN
RED	29.0/32.0 [737/813]	.60[15.2] SKIN
COLOR	LENGTH	TERMINAL OR STRIP LENGTH

MAIN FRAME - OLE	SEMI-ENCLOSED
END FRAME - OLE	OPEN
MAIN FRAME - LE	SEMI-ENCLOSED
END FRAME - LE	OPEN

CUSTOMER	DISTRIBUTION SERVICES
----------	-----------------------

PERFORMANCE CURVE NO.	TORQUE @ 1050 RPM (25°C)	APPROVED SAMPLE	UL COMPONENT FILE #	CCN #	CSA FILE #	CLASS #
C31445	17.9 OZ. FT.	97AC037A	E46412	PRGY2	----	----

GEOMETRIC CHARACTERISTICS & SYMBOLS

- ▮ FLATNESS
- STRAIGHTNESS
- ∠ ANGULARITY
- ⊥ PERPENDICULARITY (SQUARENESS)
- ∥ PARALLELISM
- ROUNDNESS (CIRCULARITY)
- ⊘ CYLINDRICITY
- △ PROFILE OF ANY SURFACE
- ∩ PROFILE OF ANY LINE
- ↗ RUNOUT
- ⊕ TRUE POSITION
- ◎ CONCENTRICITY
- ≡ SYMMETRY

ASME Y14.5M 1994

REGAL-BELOIT CORPORATION (RBC) PROVIDES TECHNICAL ASSISTANCE TO OUR CUSTOMERS IN SEVERAL AREAS. SINCE RBC DOES NOT RECEIVE ALL DATA CONCERNING THE USE AND APPLICATION OF THE MOTOR, THE SUITABILITY OF THE MOTOR FOR THE APPLICATION MUST BE DETERMINED BY THE CUSTOMER.

DIMENSIONS WITHOUT TOLERANCES ARE FOR REFERENCE ONLY.

DR BY: B.ZHAO 01-19-2012

APPD: B.SHEN 01-19-2012

THIRD ANGLE PROJECTION

EDS DATE 11-11-2011
 FORMAT REV G

CONFIDENTIAL: THIS DRAWING AND ITS INFORMATION ARE THE EXCLUSIVE AND CONFIDENTIAL PROPERTY OF REGAL-BELOIT CORPORATION AND ARE NOT TO BE DISCLOSED, DUPLICATED, DISTRIBUTED OR OTHERWISE USED WITHOUT THE WRITTEN CONSENT OF REGAL-BELOIT CORPORATION. -ALL RIGHTS RESERVED.



DESCRIPTION: MODEL-RFHP-48FR OUTLINE

SIZE: C DWG NO: FSP4016H

SCALE: NONE SHEET: 1

4

3

2

1

4

3

2

1

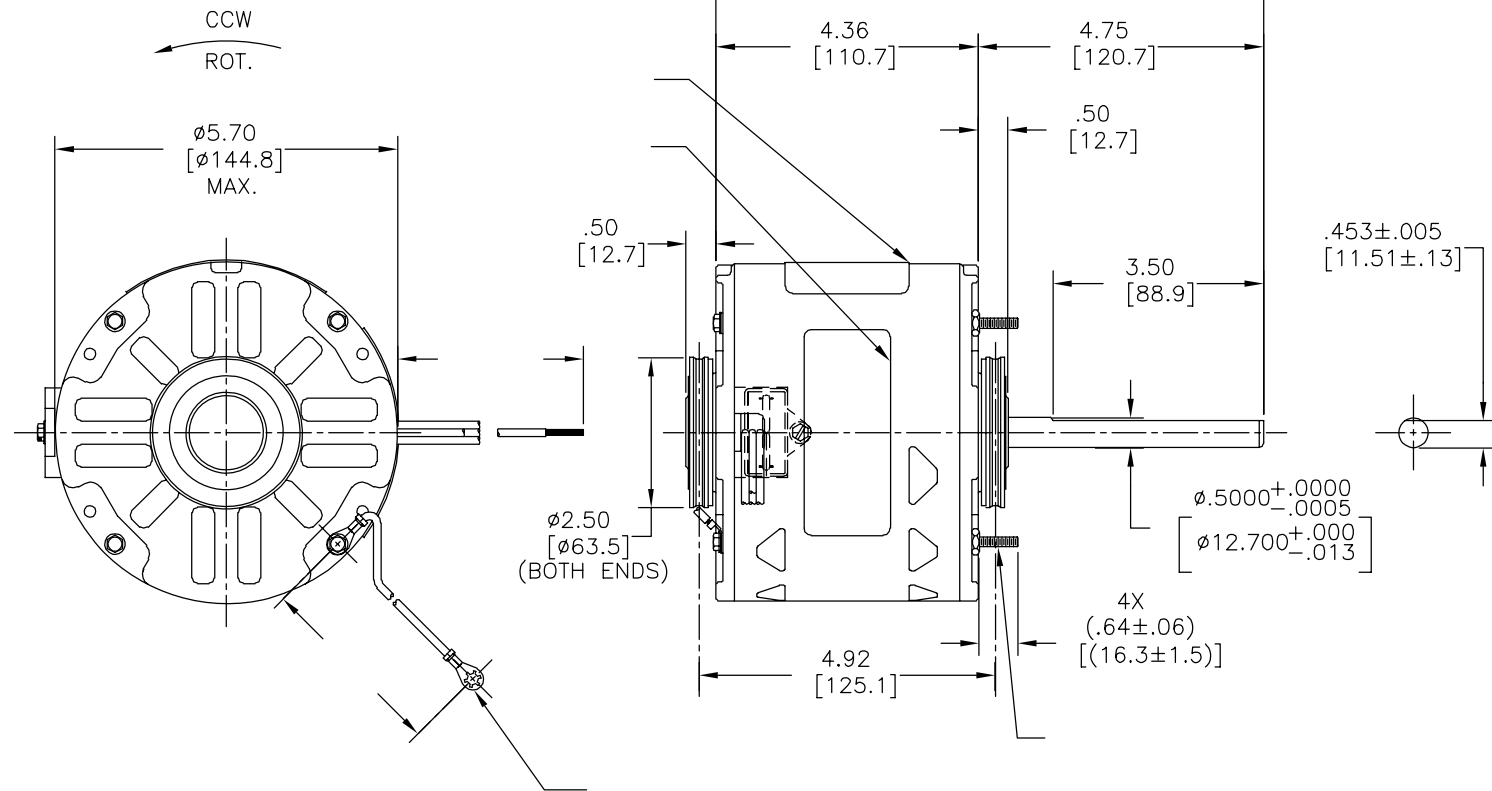
REVISION:	ECO	REVISADO POR:	FECHA:	APROBADO POR:	FECHA:
A	0024033	B.ZHAO	01-19-2012	B.SHEN	01-19-2012

INFORMACION GENERAL:

OSCILACION DE FLECHA: -
 JUEGO AXIAL: -
 BALEROS: -
 POSICION DEL MONTAJE: -

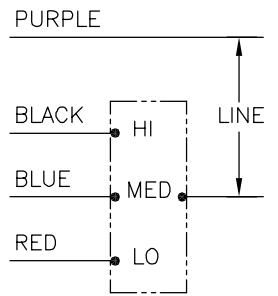
INFORMACION ELECTRICICA:

PROTECTOR DE SOBRECARGA: -
 CABLES: -
 CABLE DE TIERRA: -



INFORMACION DE ETIQUETA: DIAGRAMA DE CONEXION EXTRNA

MODEL NO.: F48H91A01
 CUST. P/N: FSP4016H
 HP: 1/5
 ROT.: CCWLE
 RPM: 1050/3 SPD.
 TYPE: UF
 FRAME: 48Y
 VOLTS: 208-230
 PH: 1
 AMPS: 1.5 (2.0 MAX)
 HZ: 60
 INS.: A
 AMB.: 40° C
 DUTY: AIR OVER
 CAP.: 5 MFD/250 V
 ENCL: SEMI-ENCL.
 UL LOGO
 THERMALLY PROTECTED



614131-251

	9.0/11.0	
	[229/279]	
	CONNECTED TO CAPACITOR	
	CONNECTED TO CAPACITOR	
-	29.0/32.0	-
	[737/813]	
-	29.0/32.0	-
	[737/813]	
-	29.0/32.0	-
	[737/813]	
-	29.0/32.0	-
	[737/813]	
COLOR	LONGITUD	TERMINAL O LONGITUD DE DESFORRE

CARCASA - LOC	-
TAPA - LOC	-
CARCASA - LC	-
TAPA - LC	-

CLIENTE

CURVAS DE FUNCIONAMIENTO	TORSION @ RPM (25°C)	MUESTRA APROBADA	COMPONENTE UL	CSA
C31445	17.9 OZ. FT.	97AC037A	#ARCHIVO CCN #	#ARCHIVO CLASE #
			E46412 PRGY2	-----

CARACTERISTICAS DE GEOMETRIA Y SIMBOLOS
 ▽ PLANICIDAD
 - RECTITUD
 < ANGULARIDAD
 ⊥ PERPENDICULARIDAD (A ESCUADRA)
 // PARALELISMO
 ○ REDONDEZ (CIRCULARIDAD)
 ∅ CILINDRICIDAD
 △ PERFIL DE CUALQUIER SUPERFICIE
 ∩ PERFIL DE CUALQUIER LINEA
 ↗ VARIACION
 ⊕ POSICION REAL
 ⊙ CONCENTRICIDAD
 = SIMETRIA
 ASME Y14.5M 1994

REGAL-BELOIT CORPORATION (RBC) PROVEE ASISTENCIA TECNICA A NUESTROS CLIENTES EN VARIAS AREAS. DESDE QUE RBC NO RECIBE TODOS LOS DATOS EN RELACION AL USO Y A LA APLICACION DEL MOTOR, LA APLICACION ADECUADA DEL MOTOR DEBE SER DETERMINADA POR EL CLIENTE.
 DIMENSIONES SIN TOLERANCIA SON DE REFERENCIA SOLAMENTE

DIBUJADO POR: B.ZHAO 01-19-2012
 APROBADO POR: B.SHEN 01-19-2012
 TERCER ANGULO DE PROYECCION
 CONFIDENCIAL: ESTE DIBUJO Y SU INFORMACION SON PROPIEDAD DE USO EXCLUSIVO Y CONFIDENCIAL DE REGAL-BELOIT CORPORATION. Y NO DEBERAN SER REVELADOS, DUPLICADOS, DISTRIBUIDOS O USARSE DE OTRA MANERA SIN EL CONSENTIMIENTO ESCRITO DE REGAL-BELOIT CORPORATION. -TODOS LOS DERECHOS RESERVADOS.



DESCRIPCION: MODEL-RFHP-48FR OUTLINE
 TAMAÑO: C NUMERO DE DIBUJO: FSP4016H
 ESCALA: NONE HOJA: 1

4

3

2

1

4

3

2

1

总技术要求:

轴跳动:

端部窜动量

轴承:

安装位置:

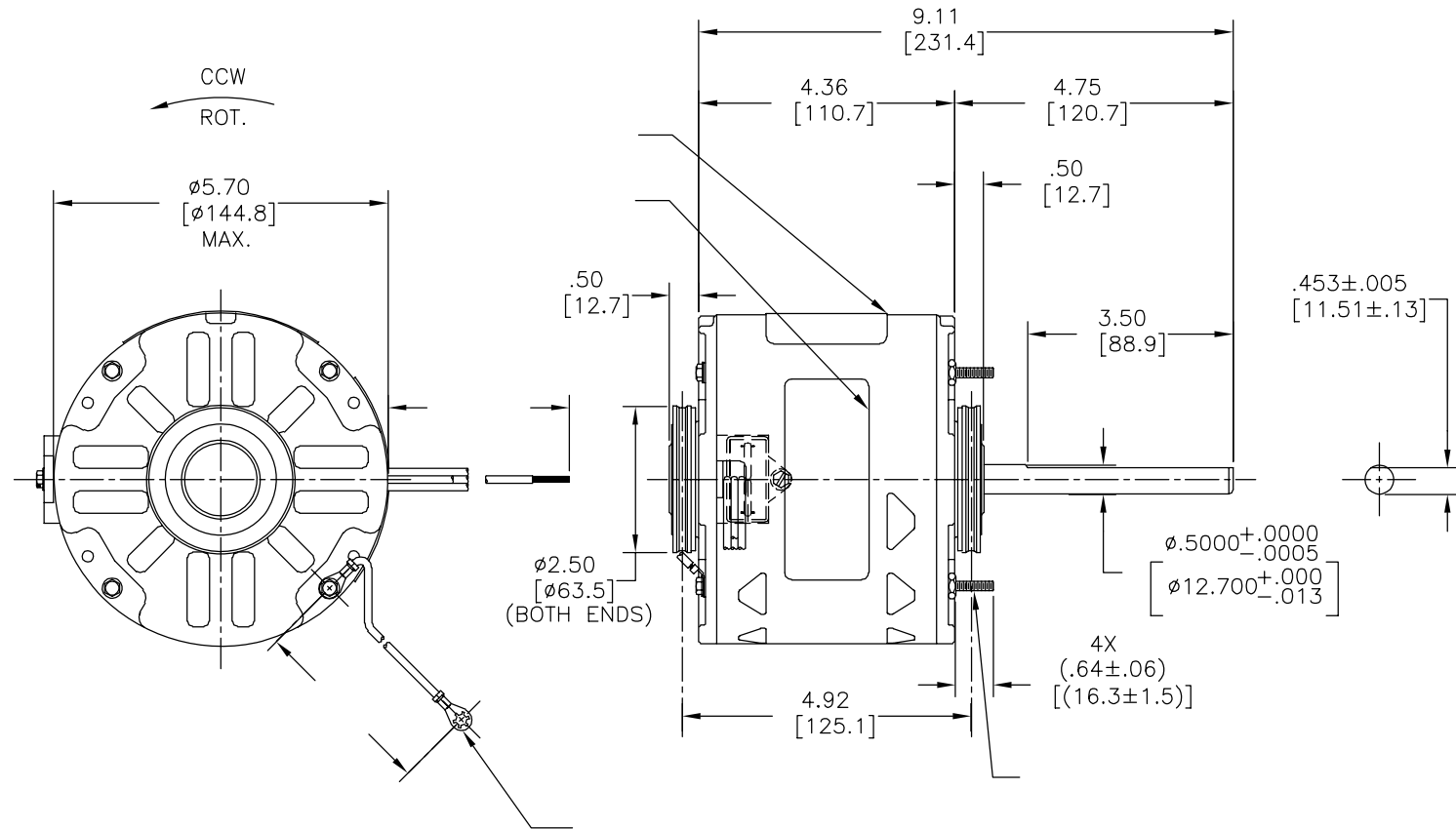
电气数据:

过载保护:

引线:

接地线:

版本	ECO	编制	日期	批准	日期
A	0024033	B.ZHAO	01-19-2012	B.SHEN	01-19-2012



铭牌数据	外部数据线
MODEL NO.: F48H91A01 CUST. P/N: FSP4016H HP: 1/5 ROT.: CCWLE RPM: 1050/3 SPD. TYPE: UF FRAME: 48Y VOLTS: 208-230 PH: 1 AMPS: 1.5 (2.0 MAX) HZ: 60 INS.: A AMB.: 40° C DUTY: AIR OVER CAP.: 5 MFD/250 V ENCL: SEMI-ENCL. UL LOGO THERMALLY PROTECTED	PURPLE

	9.0/11.0 [229/279]	
	CONNECTED TO CAPACITOR	
	CONNECTED TO CAPACITOR	
	29.0/32.0 [737/813]	
	29.0/32.0 [737/813]	
	29.0/32.0 [737/813]	
	29.0/32.0 [737/813]	
颜色	长度	端子或剥线长度

无引线端机壳	
无引线端端盖	
有引线端机壳	
有引线端端盖	

性能曲线编号	转矩在 @ RPM (25° C)	批准样品	UL部件		CSA	
			文件号	指南	文件号	指南
C31445	17.9 OZ. FT.	97AC037A	E46412	PRGY2	----	----

REGAL-BELOIT CORPORATION (RBC) 在个别领域为客户提供技术支持。鉴于RBC未收到任何涉及电机使用和应用环境的数据，电机的适用性由客户自己决定。

未注公差尺寸仅供参考。

绘图:	B.ZHAO	01-19-2012
批准:	B.SHEN	01-19-2012
第三角投影		图纸格式发布日期 11-11-2011 图纸格式版本 G
机密: 本图纸及相关信息所有权归REGAL-BELOIT CORPORATION。未经REGAL-BELOIT CORPORATION书面授权, 不得泄露、复制或传播或作其他用途。一版权所有		

名称	MODEL-RFHP-48FR OUTLINE
图幅	C
图号	FSP4016H
比例	NONE
页号	1

- 形位公差
- 平面度
- 直线度
- ∠ 倾斜度
- ⊥ 垂直度
- // 平行度
- 圆度
- ⊘ 圆柱度
- ⊙ 面轮廓度
- △ 线轮廓度
- ⌒ 圆跳动
- ⊕ 位置度
- ⊙ 同轴度
- ≡ 对称度

ASME Y14.5M 1994

4

3

2

1