

4

3

2

1

REV	REFERENCE ECN	REFERENCE PROJECT	REV BY	DATE	APPD	DATE
A	03383201	0702057	Jeff	08-02-2007	cbranh	08-02-2007

GENERAL INFORMATION:

SHAFT RUNOUT: .001 [.03] T.I.R. PER INCH LENGTH OF EXTENSION

END PLAY: .010 TO .063 [.25 TO 1.60]

BEARINGS: SLEEVE

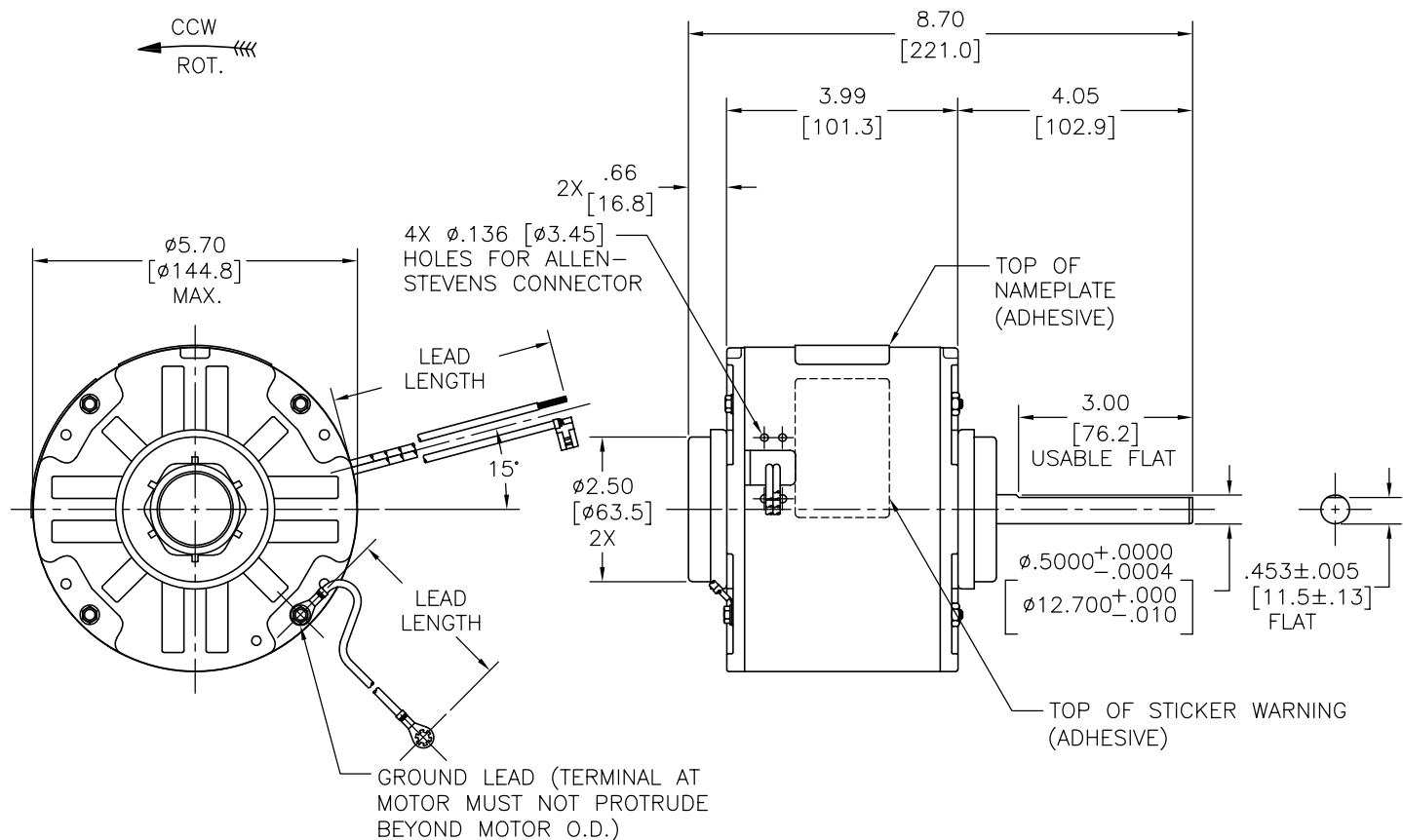
MOUNTING POSITION: HORIZONTAL

ELECTRICAL DATA:

OVERLOAD PROTECTOR: AUTOMATIC RESET (T.I. 7AM 036)

LEADS: NO. 18 GA., .03 [.8] THK. XLP 125°C INSUL.

GROUND LEAD: NO. 16 GA., .03 [.8] THK. (GREEN/YELLOW) INSUL.



NAMEPLATE DATA:	EXTERNAL CONNECTION DIAGRAM																												
MODEL NO.: F48Z79A01 CUST. P/N: 494B HP: 1/6 ROT.: CCWLE RPM: 1050 TYPE: UF FRAME: 48Y VOLTS: 115/208-230 PH: 1 AMPS: 3.3/1.5-1.7 HZ: 60 INS.: B AMB.: 40° C DUTY: AIR OVER CAP.: 5 MFD/370 V ENCL: SEMI-ENCL. UL LOGO CSA LOGO THERMALLY PROTECTED	<table border="0"> <tr> <td>BROWN</td> <td>SEP. CAP.</td> </tr> <tr> <td>BRN/WHT</td> <td>⊕</td> </tr> <tr> <td>BLACK</td> <td></td> </tr> <tr> <td>BLUE</td> <td></td> </tr> <tr> <td>RED</td> <td>115 V</td> </tr> <tr> <td>PURPLE</td> <td>LINE</td> </tr> <tr> <td>WHITE</td> <td></td> </tr> </table> <table border="0"> <tr> <td>BROWN</td> <td>SEP. CAP.</td> </tr> <tr> <td>BRN/WHT</td> <td>⊕</td> </tr> <tr> <td>BLACK</td> <td></td> </tr> <tr> <td>WHITE</td> <td></td> </tr> <tr> <td>BLUE</td> <td>230 V</td> </tr> <tr> <td>RED</td> <td>LINE</td> </tr> <tr> <td>PURPLE</td> <td></td> </tr> </table>	BROWN	SEP. CAP.	BRN/WHT	⊕	BLACK		BLUE		RED	115 V	PURPLE	LINE	WHITE		BROWN	SEP. CAP.	BRN/WHT	⊕	BLACK		WHITE		BLUE	230 V	RED	LINE	PURPLE	
BROWN	SEP. CAP.																												
BRN/WHT	⊕																												
BLACK																													
BLUE																													
RED	115 V																												
PURPLE	LINE																												
WHITE																													
BROWN	SEP. CAP.																												
BRN/WHT	⊕																												
BLACK																													
WHITE																													
BLUE	230 V																												
RED	LINE																												
PURPLE																													

GREEN/YELLOW (GROUND)	11.0/13.0 [279/330]	#10 EYELET
BROWN	29.0/31.0 [737/787]	.25 [6.4] FLAG
BROWN/WHITE	29.0/31.0 [737/787]	.25 [6.4] FLAG
BLACK	29.0/31.0 [737/787]	.50 [12.7] SKIN
WHITE	29.0/31.0 [737/787]	.50 [12.7] SKIN
BLUE	29.0/31.0 [737/787]	.50 [12.7] SKIN
RED	29.0/31.0 [737/787]	.50 [12.7] SKIN
PURPLE	29.0/31.0 [737/787]	.50 [12.7] SKIN
COLOR	LENGTH	TERMINAL OR STRIP LENGTH

MAIN FRAME - OLE	ENCLOSED
END FRAME - OLE	OPEN
MAIN FRAME - LE	ENCLOSED
END FRAME - LE	OPEN

CUSTOMER	DISTRIBUTION SERVICE
----------	----------------------

PERFORMANCE CURVE NO.	TORQUE @ 1050 RPM (25°C)	APPROVED SAMPLE	UL COMPONENT FILE #	CCN #	CSA FILE #	CLASS #
C32746	18.9 OZ. FT.	0701092A	E46412	PRGY2	LR43341	4211-01

GEOMETRIC CHARACTERISTICS & SYMBOLS

▮ FLATNESS

— STRAIGHTNESS

∠ ANGULARITY

⊥ PERPENDICULARITY (SQUARENESS)

∥ PARALLELISM

○ ROUNDNESS (CIRCULARITY)

⊘ CYLINDRICITY

△ PROFILE OF ANY SURFACE

▽ PROFILE OF ANY LINE

↗ RUNOUT

⊕ TRUE POSITION

◎ CONCENTRICITY

≡ SYMMETRY

A.O. SMITH PROVIDES TECHNICAL ASSISTANCE TO OUR CUSTOMERS IN SEVERAL AREAS. SINCE A.O. SMITH DOES NOT RECEIVE ALL DATA CONCERNING THE USE AND APPLICATION OF THE MOTOR, THE SUITABILITY OF THE MOTOR FOR THE APPLICATION MUST BE DETERMINED BY THE CUSTOMER.

DIMENSIONS WITHOUT TOLERANCES ARE FOR REFERENCE ONLY.

DR BY: jrupert 08-02-2007

APPD: cbranh 08-02-2007

THIRD ANGLE PROJECTION

EDS DATE 01-21-2007

FORMAT REV E

CONFIDENTIAL: THIS DRAWING AND ITS INFORMATION ARE THE EXCLUSIVE AND CONFIDENTIAL PROPERTY OF A.O. SMITH CORP. AND ARE NOT TO BE DISCLOSED, DUPLICATED, DISTRIBUTED OR OTHERWISE USED WITHOUT THE WRITTEN CONSENT OF A.O. SMITH CORP.

—ALL RIGHTS RESERVED. ASME Y14.5M 1994

A.O. SMITH A DIVISION OF A. O. SMITH CORPORATION

ELECTRICAL PRODUCTS COMPANY TIPP CITY, OHIO

DESCRIPTION: **OUTLINE**

SIZE: C DWG NO: F48Z79A01

SCALE: NONE SHEET: 1

4

3

2

1

4

3

2

1

REVISION:	ECN REFERENCIA:	PROYECTO REFERENCIA:	REVISADO POR:	FECHA:	APROBADO POR:	FECHA:
A	03383201	0702057	Jeff	08-02-2007	cbranh	08-02-2007

INFORMACION GENERAL:

OSCILACION DE FLECHA: .001 [.03] T.I.R. PER INCH LENGTH OF EXTENSION

JUEGO AXIAL: .010 A .063 [.25 A 1.60]

BALEROS: CHUMACERA RIGIDA

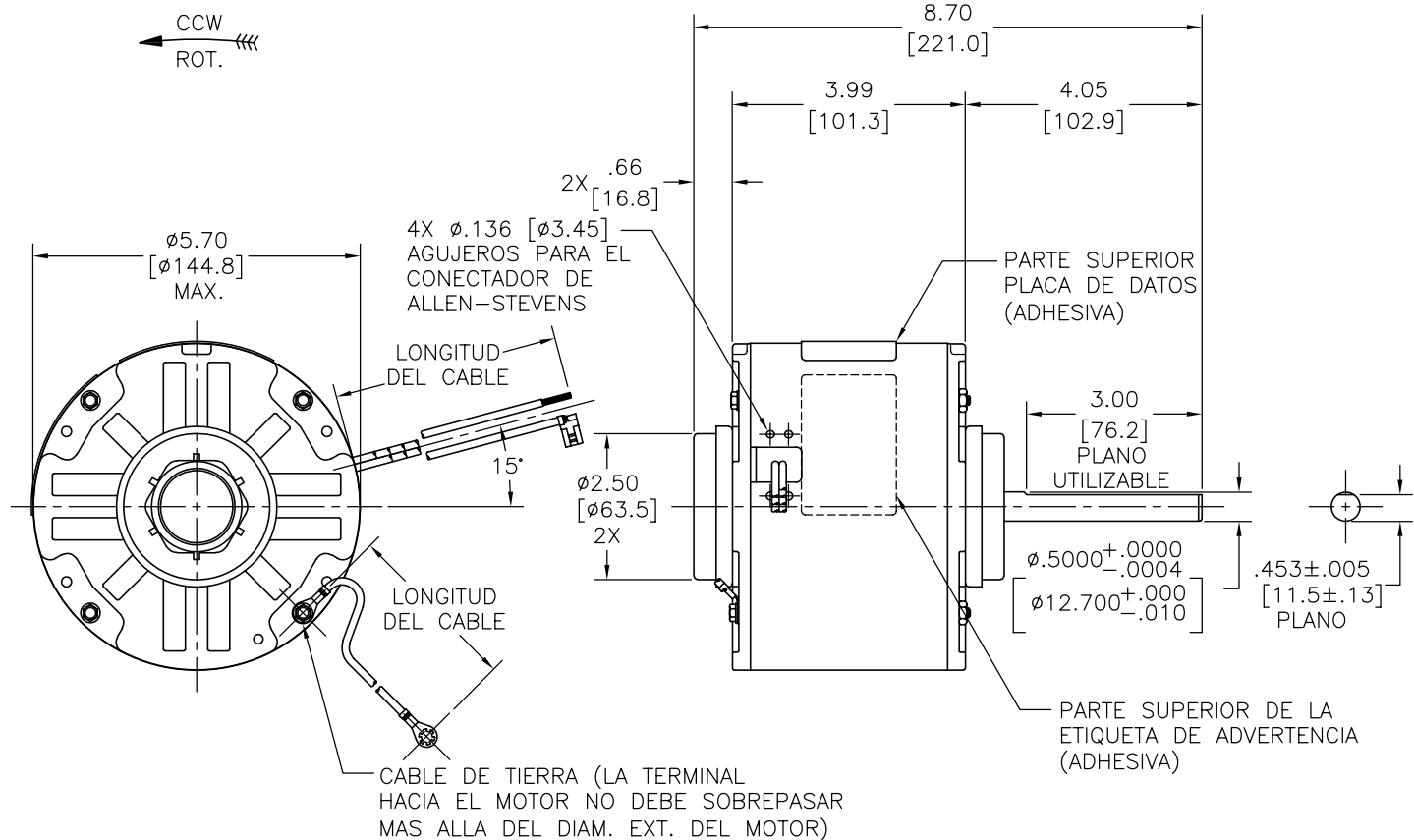
POSICION DEL MONTAJE: HORIZONTAL

INFORMACION ELECTRICA:

PROTECTOR DE SOBRECARGA: REINICIO AUTOMATIC (T.I. 7AM 036)

CABLES: NO. 18 GA., .03 [.8] THK. XLP 125°C AISLAM.

CABLE DE TIERRA: NO. 16 GA., .03 [.8] THK. (VERDE/AMARILLO) AISLAM.



INFORMACION DE ETIQUETA: DIAGRAMA DE CONEXION EXTRNA

MODEL NO.: F48Z79A01 CUST. P/N: 494B HP: 1/6 ROT.: CCWLE RPM: 1050 TYPE: UF FRAME: 48Y VOLTS: 115/208-230 PH: 1 AMPS: 3.3/1.5-1.7 HZ: 60 INS.: B AMB.: 40° C DUTY: AIR OVER CAP.: 5 MFD/370 V ENCL: SEMI-ENCL. UL LOGO CSA LOGO THERMALLY PROTECTED	BROWN — SEP. CAP. BRN/WHT BLACK BLUE — 115 V LINE RED PURPLE WHITE
BROWN — SEP. CAP. BRN/WHT BLACK WHITE — 230 V LINE BLUE RED PURPLE	614131-370

VERDE/AMARILLO (TIERRA)	11.0/13.0 [279/330]	OJAL #10
CAFE	29.0/31.0 [737/787]	.25 [6.4] BANDERA
CAFE/BLANCO	29.0/31.0 [737/787]	.25 [6.4] BANDERA
NEGRO	29.0/31.0 [737/787]	.50 [12.7] DEL PIEL
BLANCO	29.0/31.0 [737/787]	.50 [12.7] DEL PIEL
AZUL	29.0/31.0 [737/787]	.50 [12.7] DEL PIEL
ROJO	29.0/31.0 [737/787]	.50 [12.7] DEL PIEL
PURPURA	29.0/31.0 [737/787]	.50 [12.7] DEL PIEL
COLOR	LONGITUD	TERMINAL O LONGITUD DE DESFORRE

CARCASA - LOC	ENCERRADO
TAPA - LOC	ABIERTA
CARCASA - LC	ENCERRADO
TAPA - LC	ABIERTA

CLIENTE	DISTRIBUTION SERVICE
---------	----------------------

CURVAS DE FUNCIONAMIENTO	TORSION @ 1050 RPM (25°C)	MUESTRA APROBADA	COMPONENTE UL	CSA
C32746	18.9 OZ. FT.	0701092A	#ARCHIVO CCN # #ARCHIVO CLASE #	E46412 PRGY2 LR43341 4211-01

CARACTERISTICAS DE GEOMETRIA Y SIMBOLOS
 ▽ PLANICIDAD
 — RECTITUD
 ∠ ANGULARIDAD
 ⊥ PERPENDICULARIDAD (A ESCUADRA)
 // PARALELISMO
 ○ REDONDEZ (CIRCULARIDAD)
 ∅ CILINDRICIDAD
 △ PERFIL DE CUALQUIER SUPERFICIE
 ∩ PERFIL DE CUALQUIER LINEA
 ↗ VARIACION
 ⊕ POSICION REAL
 ⊙ CONCENTRICIDAD
 = SIMETRIA

A.O. SMITH PROVEE ASISTENCIA TECNICA A NUESTROS CLIENTES EN VARIAS AREAS. DESDE QUE A.O. SMITH NO RECIBE TODOS LOS DATOS EN RELACION AL USO Y A LA APLICACION DEL MOTOR, LA APLICACION ADECUADA DEL MOTOR DEBE SER DETERMINADA POR EL CLIENTE.
 DIMENSIONES SIN TOLERANCIA SON DE REFERENCIA SOLAMENTE

DIBUJADO POR:	08-02-2007
APROBADO POR:	08-02-2007
TERCER ANGULO DE PROYECCION	FECHA EDS: 01-21-2007 REV. FORMATO: E
CONFIDENCIAL: ESTE DIBUJO Y SU INFORMACION SON PROPIEDAD DE USO EXCLUSIVO Y CONFIDENCIAL DE A.O. SMITH CORP. Y NO DEBERAN SER REVELADOS, DUPLICADOS, DISTRIBUIDOS O USARSE DE OTRA MANERA SIN EL CONSENTIMIENTO ESCRITO DE A.O. SMITH CORP. -TODOS LOS DERECHOS RESERVADOS. ASME Y14.5M 1994	

A.O. SMITH A DIVISION OF A. O. SMITH CORPORATION
 ELECTRICAL PRODUCTS COMPANY TIPP CITY, OHIO COPYRIGHT 1995

DESCRIPCION: **OUTLINE**

TAMAÑO: C NUMERO DE DIBUJO: F48Z79A01

ESCALA: NONE HOJA: 1

4

3

2

1

4

3

2

1

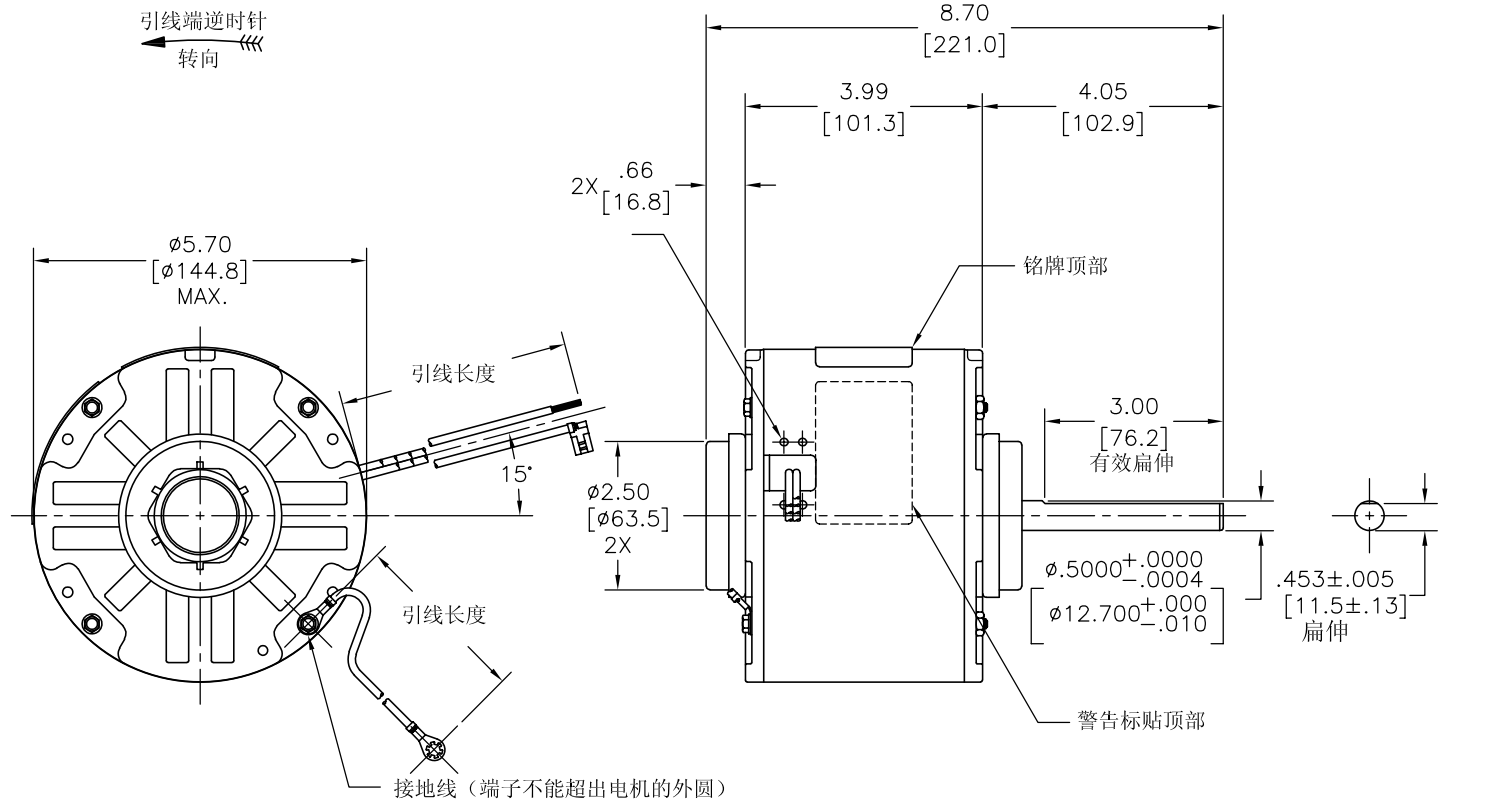
版本	更改通知号	项目号	编制	日期	批准	日期
A	03383201	0702057	Jeff	08-02-2007	cbranh	08-02-2007

总技术要求:

轴跳动: .001[.03]/1[25.4]外伸轴
 端部窜动量: .010 到 .063 [.25 到 1.60]
 轴承: 含油轴承
 安装位置: 水平

电气数据:

过载保护: 自动复位 (T. I. 7AM 036)
 引线: 18# (美制标准), 厚.03[.8] XLP 125° C 绝缘
 接地线: 16# (美制标准), 厚.03[0.8]绿色绝缘



铭牌数据	外部数据线
MODEL NO.: F48Z79A01 CUST. P/N: 494B HP: 1/6 ROT.: CCWLE RPM: 1050 TYPE: UF FRAME: 48Y VOLTS: 115/208-230 PH: 1 AMPS: 3.3/1.5-1.7 HZ: 60 INS.: B AMB.: 40° C DUTY: AIR OVER CAP.: 5 MFD/370 V ENCL: SEMI-ENCL. UL LOGO CSA LOGO THERMALLY PROTECTED	<p>BROWN SEP. CAP. BRN/WHT</p> <p>BLACK</p> <p>BLUE 115 V LINE</p> <p>RED</p> <p>PURPLE</p> <p>WHITE</p> <p>BROWN SEP. CAP. BRN/WHT</p> <p>BLACK</p> <p>WHITE 230 V LINE</p> <p>BLUE</p> <p>RED</p> <p>PURPLE</p>

颜色	长度	端子或剥线长度
绿色 (接地线)	11.0/13.0 [279/330]	#10金属圈
棕	29.0/31.0 [737/787]	.25 [6.4] 旗形插
棕/白	29.0/31.0 [737/787]	.25 [6.4] 旗形插
黑	29.0/31.0 [737/787]	.50 [12.7] 剥皮
白	29.0/31.0 [737/787]	.50 [12.7] 剥皮
蓝	29.0/31.0 [737/787]	.50 [12.7] 剥皮
红	29.0/31.0 [737/787]	.50 [12.7] 剥皮
紫	29.0/31.0 [737/787]	.50 [12.7] 剥皮

无引线端机壳	密封
无引线端端盖	开放
有引线端机壳	密封
有引线端端盖	开放

用户	DISTRIBUTION SERVICE
----	----------------------

性能曲线编号	转矩在 1050 RPM 25° C	批准样品	UL部件	CSA
C32746	18.9 OZ. FT.	0701092A	文件号 指南	文件号 指南
			E46412 PRGY2	LR43341 4211-01

形位公差 □ 平面度 — 直线度 ∠ 倾斜度 ⊥ 垂直度 ∥ 平行度 ○ 圆度 ⊘ 圆柱度 ⊖ 面轮廓度 ⊖ 线轮廓度 ↗ 圆跳动 ⊕ 位置度 ⊙ 同轴度 ≡ 对称度	A. O. SMITH在个别领域为客户提供技术支持。鉴于A. O. SMITH未收到任何涉及电机使用和应用环境的数据, 电机的适用性由客户自己决定。
--	--

未注公差尺寸仅供参考。

绘图: jrupert	08-02-2007
批准: cbranh	08-02-2007
第三角投影	图纸格式发布日期 01-21-2007 图纸格式版本 E
机密: 本图纸及相关信息所有权归A. O. SMITH公司所有。未经A. O. SMITH公司书面授权, 不得泄露、复制、传播或作其他用途。— 版权所有	
ASME Y14.5M 1994	

A. O. SMITH ELECTRICAL PRODUCTS COMPANY TIPP CITY, OHIO		A DIVISION OF A. O. SMITH CORPORATION COPYRIGHT 1995	
名称: OUTLINE			
图幅: C	图号: F48Z79A01		
比例: NONE	页号: 1		

4

3

2

1