

4

3

2

1

总技术要求:

轴跳动:

端部窜动量

轴承:

安装位置:

电气数据:

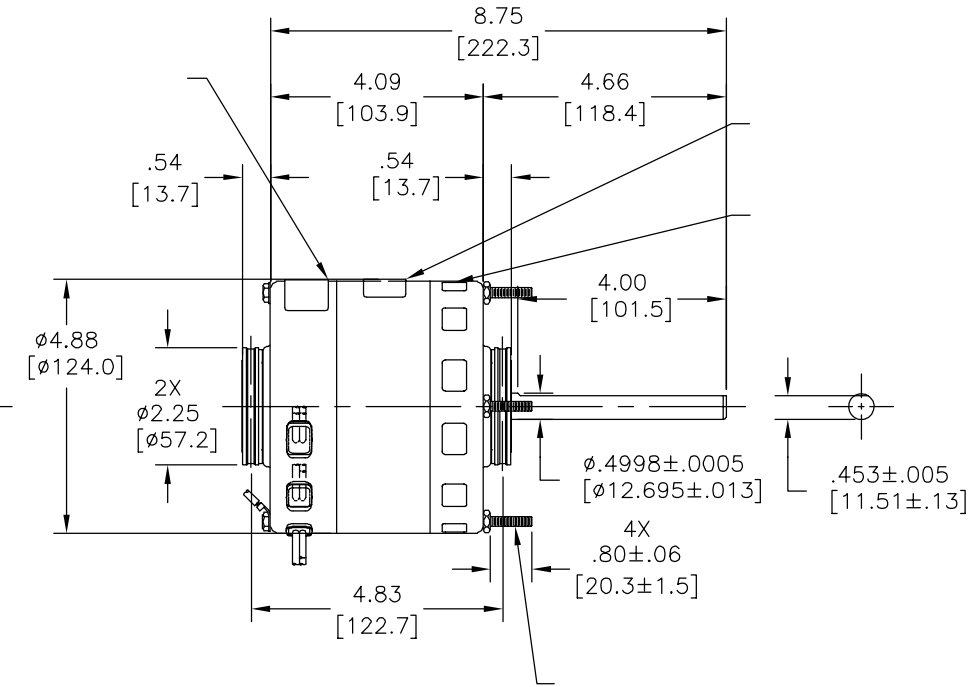
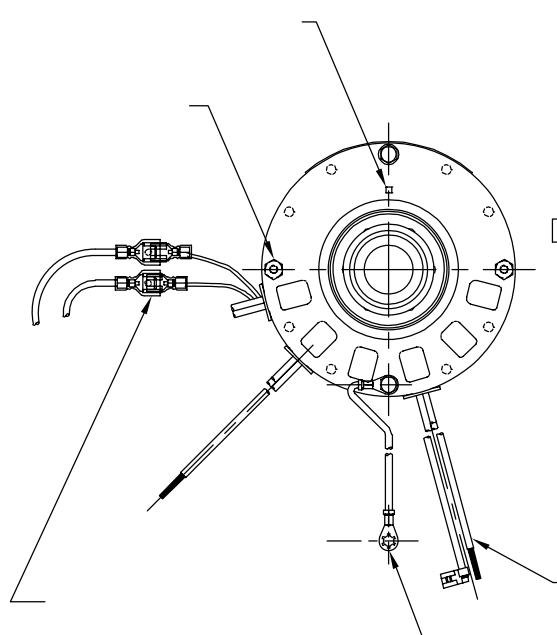
过载保护:

引线:

接地线:

版本	ECO	编制	日期	批准	日期
A	0038824	A.ARREOLA	09-26-2013	G.ALVIDREZ	09-26-2013

REV.
ROT.



	5/7	
	[127/178]	
	4/6	
	[102/152]	
	4/6	
	[102/152]	
	4/6	
	[102/152]	
	4/6	
	[102/152]	
	12/14	
	[305/356]	
	12/14	
	[305/356]	
	28/30	
	[711/762]	
	28/30	
	[711/762]	
	28/30	
	[711/762]	
	28/30	
	[711/762]	
颜色	长度	端子或剥线长度

铭牌数据	外部数据线
MODEL NO.: F42F14A01 CUST. P/N: BL6519V1 HP: 1/4, 1/5, 1/6 ROT.: REVERSIBLE RPM: 1075/3 SPD. TYPE: FLL FRAME: 42Y VOLTS: 115 PH: 1 AMPS: 4.7 HZ: 60 INS.: B AMB.: 40° C DUTY: AIR OVER CAP.: 5 MFD/ 370V ENCL: - UL LOGO CSA LOGO THERMALLY PROTECTED	<p>RED — LO</p> <p>BLU — MED</p> <p>BLK — HI</p> <p>WHT —</p> <p>BRN/WHT —</p> <p>BRN —</p> <p>ROTATION AT LEAD END</p> <p>CW CCW</p> <p>WHT — BRN —</p> <p>BLK — WHT —</p> <p>BLU — BLU —</p> <p>BRN — BLK —</p>

性能曲线编号	转矩在 @ ---- RPM (25° C)	批准样品	UL部件		CSA	
			文件号	指南	文件号	指南
C30176	23.6 OZ. FT.	PSE7726C	E46412	PRGY2	LR43341	4211-01

无引线端机壳	
无引线端端盖	
有引线端机壳	
有引线端端盖	

密封性	用户	DISTRIBUTION SERVICES
-----	----	-----------------------

- 形位公差
- 平面度
- 直线度
- ∠ 倾斜度
- ⊥ 垂直度
- // 平行度
- 圆度
- ⊘ 圆柱度
- ⊖ 面轮廓度
- ⊖ 线轮廓度
- ↻ 圆跳动
- ⊕ 位置度
- ⊙ 同轴度
- ≡ 对称度

ASME Y14.5M 1994

REGAL-BELOIT CORPORATION (RBC) 在个别领域为客户提供技术支持。鉴于RBC未收到任何涉及电机使用和应用环境的数据，电机的适用性由客户自己决定。

未注公差尺寸仅供参考。

绘图:	A.ARREOLA	09-26-2013
批准:		
第三角投影		图纸格式发布日期 11-11-2011 图纸格式版本 H
机密: 本图纸及相关信息所有权归REGAL-BELOIT CORPORATION。未经REGAL-BELOIT CORPORATION书面授权，不得泄露、复制、传播或作其他用途。—版权所有		

		REGAL-BELOIT CORPORATION	
名称			
MODEL-RFHP-42FR		OUTLINE	
图幅	C	图号	BL6519V1
比例	NONE	页号	1

4

3

2

1

4

3

2

1

REV	ECO	REV BY	DATE	APPD	DATE
A	0038824	A.ARREOLA	09-26-2013	G.ALVIDREZ	09-26-2013

GENERAL INFORMATION:

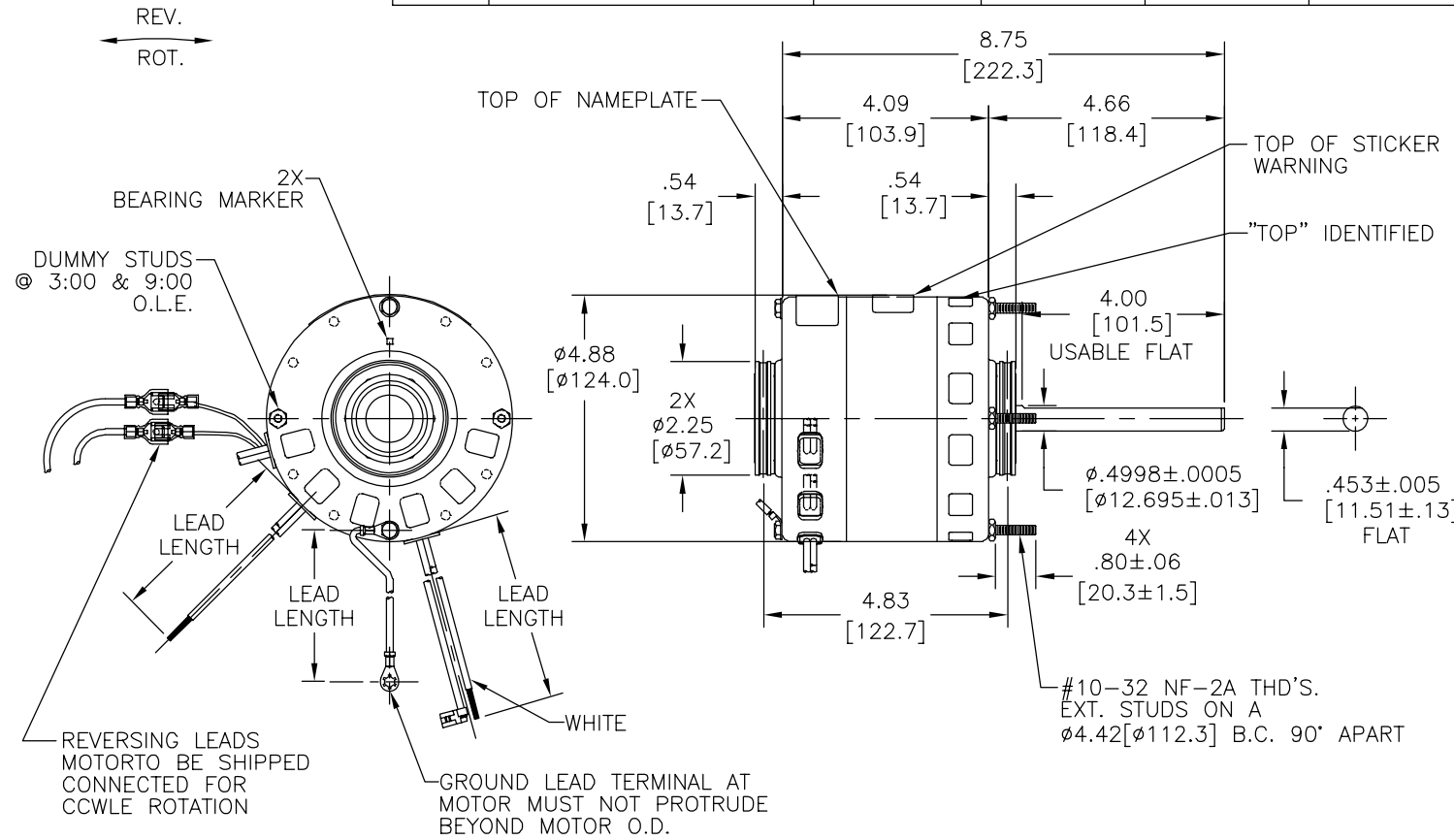
SHAFT RUNOUT: .001 [.03] T.I.R. PER INCH LENGTH OF EXTENSION

END PLAY: .010[.25] TO .063[1.60]

BEARINGS: HORIZONTAL
MOUNTING POSITION:

ELECTRICAL DATA:

OVERLOAD PROTECTOR: AUTOMATIC RESET T.I. 7AM 304
LEADS: NO. 18 GA., .06 [1.5] THK., 125°C INSUL.
GROUND LEAD: NO. 18 GA., 125°C INSUL., .03 [.8] THK., BLACK, BLUE & WHITE
NO. 18 GA., .06 [1.5] THK., BROWN
NO. 18 GA., .03 [.8] THK., GREEN INSUL.



GREEN(GRD)	5/7 [127/178]	#10 EYELET
BLUE(REV)	4/6 [102/152]	PRE-INSUL. MALE TAB
BLACK(REV)	4/6 [102/152]	PRE-INSUL. FEMALE SPADE
WHITE(REV)	4/6 [102/152]	PRE-INSUL. MALE TAB
BROWN(REV)	4/6 [102/152]	PRE-INSUL. FEMALE SPADE
BROWN/WHITE	12/14 [305/356]	.25[6.4] FLAG
BROWN	12/14 [305/356]	.25[6.4] FLAG
BLUE	28/30 [711/762]	.60[15.2] SKIN
RED	28/30 [711/762]	.60[15.2] SKIN
BLACK	28/30 [711/762]	.60[15.2] SKIN
WHITE	28/30 [711/762]	.60[15.2] SKIN
COLOR	LENGTH	TERMINAL OR STRIP LENGTH

NOTES:
1. FOUR SPLIT RING ADAPTORS TO BE PACKED IN POLYBAG WITH EACH MOTOR.

NAMEPLATE DATA:	EXTERNAL CONNECTION DIAGRAM
MODEL NO.: F42F14A01 CUST. P/N: BL6519V1 HP: 1/4, 1/5, 1/6 ROT.: REVERSIBLE RPM: 1075/3 SPD. TYPE: FLL FRAME: 42Y VOLTS: 115 PH: 1 AMPS: 4.7 HZ: 60 INS.: B AMB.: 40° C DUTY: AIR OVER CAP.: 5 MFD/ 370V ENCL: - UL LOGO CSA LOGO THERMALLY PROTECTED	<p>RED — LO</p> <p>BLU — MED</p> <p>BLK — HI</p> <p>WHT —</p> <p>BRN/WHT —</p> <p>BRN —</p> <p>ROTATION AT LEAD END</p> <p>CW CCW</p> <p>WHT — BRN —</p> <p>BLK — WHT —</p> <p>BLU — BLU —</p> <p>BRN — BLK —</p>

PERFORMANCE CURVE NO.	TORQUE @1075 RPM (25°C)	APPROVED SAMPLE	UL COMPONENT FILE #	CCN #	CSA FILE #	CLASS #
C30176	23.6 OZ. FT.	PSE7726C	E46412	PRGY2	LR43341	4211-01

MAIN FRAME - OLE	OPEN
END FRAME - OLE	OPEN
MAIN FRAME - LE	SEMI-ENCL.
END FRAME - LE	SEMI-ENCL.

CUSTOMER	DISTRIBUTION SERVICES
----------	-----------------------

GEOMETRIC CHARACTERISTICS & SYMBOLS

- FLATNESS
- STRAIGHTNESS
- ∠ ANGULARITY
- ⊥ PERPENDICULARITY (SQUARENESS)
- ∥ PARALLELISM
- ROUNDNESS (CIRCULARITY)
- ⊘ CYLINDRICITY
- △ PROFILE OF ANY SURFACE
- ▽ PROFILE OF ANY LINE
- ↗ RUNOUT
- ⊕ TRUE POSITION
- ◎ CONCENTRICITY
- ≡ SYMMETRY

ASME Y14.5M 1994

REGAL-BELOIT CORPORATION (RBC) PROVIDES TECHNICAL ASSISTANCE TO OUR CUSTOMERS IN SEVERAL AREAS. SINCE RBC DOES NOT RECEIVE ALL DATA CONCERNING THE USE AND APPLICATION OF THE MOTOR, THE SUITABILITY OF THE MOTOR FOR THE APPLICATION MUST BE DETERMINED BY THE CUSTOMER.

DIMENSIONS WITHOUT TOLERANCES ARE FOR REFERENCE ONLY.

DR BY: A.ARREOLA 09-26-2013

APPD:

THIRD ANGLE PROJECTION

EDS DATE 11-11-2011
FORMAT REV H

CONFIDENTIAL: THIS DRAWING AND ITS INFORMATION ARE THE EXCLUSIVE AND CONFIDENTIAL PROPERTY OF REGAL-BELOIT CORPORATION AND ARE NOT TO BE DISCLOSED, DUPLICATED, DISTRIBUTED OR OTHERWISE USED WITHOUT THE WRITTEN CONSENT OF REGAL-BELOIT CORPORATION. -ALL RIGHTS RESERVED.

REGAL REGAL-BELOIT CORPORATION

DESCRIPTION: MODEL-RFHP-42FR OUTLINE

SIZE: C DWG NO: BL6519V1

SCALE: NONE SHEET: 1

4

3

2

1

4

3

2

1

REVISION:	ECO	REVISADO POR:	FECHA:	APROBADO POR:	FECHA:
A	0038824	A.ARREOLA	09-26-2013	G.ALVIDREZ	09-26-2013

INFORMACION GENERAL:

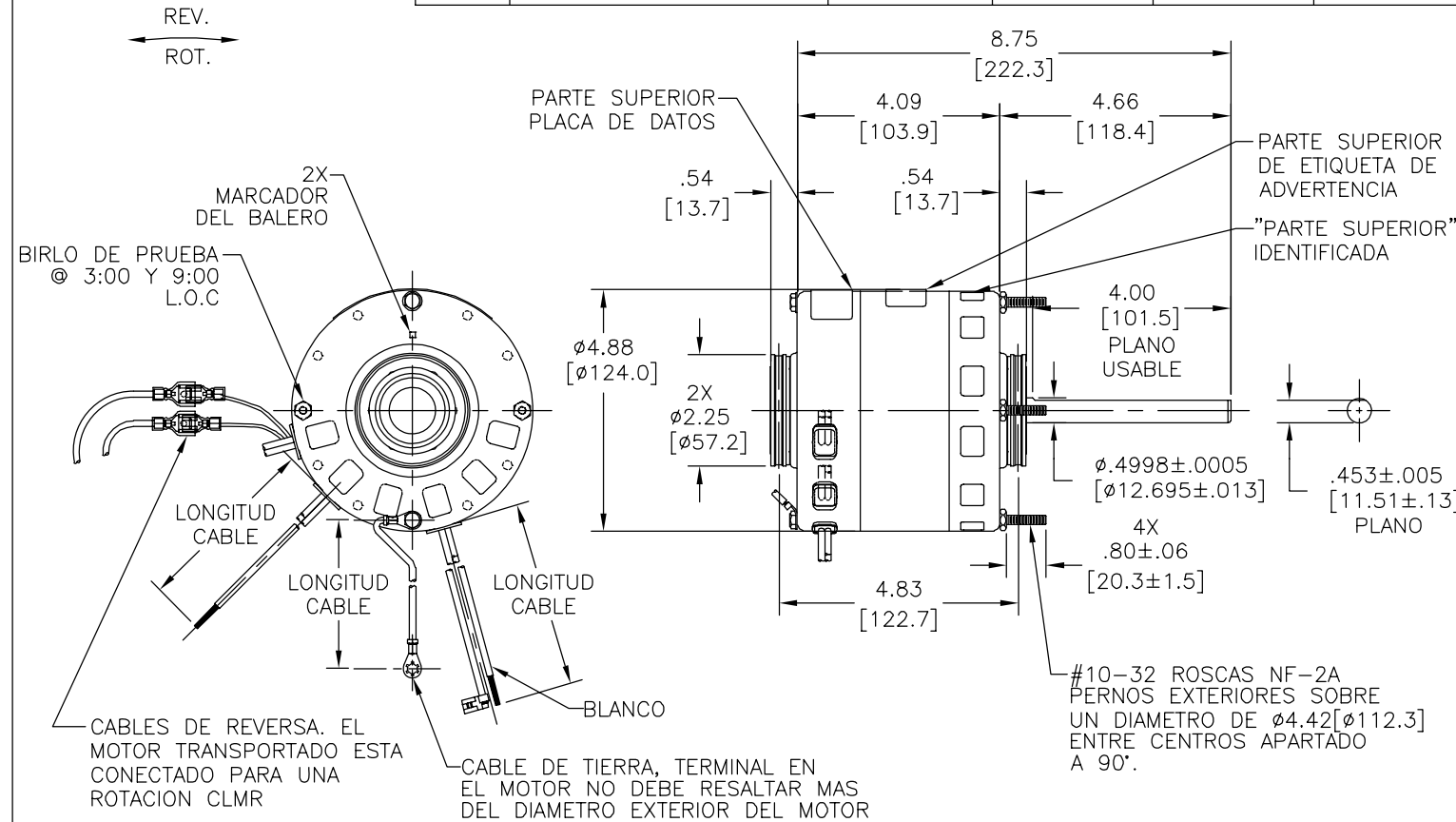
OSCILACION DE FLECHA: .001 [.03] L.T.I. POR PULG. DE EXTENSION

JUEGO AXIAL: .010[.25] A .063[1.60]

BALEROS: HORIZONTAL
 POSICION DEL MONTAJE:

INFORMACION ELECTRICA:

PROTECTOR DE SOBRECARGA: REINICIO AUTOMATICO T.I. 7AM 304
 CABLES: CAL. NO. 18, .06 [1.5] ESPESOR 125°C AISLANTE
 CABLE DE TIERRA: CAL. NO. 18, 125°C AISLANTE .03 [.8] ESPESOR. NEGRO, AZUL Y BLANCO .06 [1.5] ESPESOR. CAFE
 CAL. NO. 18, .03 [.8] ESPESOR AISLANTE VERDE



VERDE (TIERRA)	5/7 [127/178]	#10 OJILLO
AZUL(REV)	4/6 [102/152]	PRE-AISLAMIENTO TERMINAL MACHO
NEGRO(REV)	4/6 [102/152]	PRE-AISLAMIENTO TERMINAL HEMBRA
BLANCO(REV)	4/6 [102/152]	PRE-AISLAMIENTO TERMINAL MACHO
CAFE(REV)	4/6 [102/152]	PRE-AISLAMIENTO TERMINAL HEMBRA
CAFE/BLANCO	12/14 [305/356]	.25[6.4] BANDERA
CAFE	12/14 [305/356]	.25[6.4] BANDERA
AZUL	28/30 [711/762]	.60[15.2] FORRO
ROJO	28/30 [711/762]	.60[15.2] FORRO
NEGRO	28/30 [711/762]	.60[15.2] FORRO
BLANCO	28/30 [711/762]	.60[15.2] FORRO
COLOR	LONGITUD	TERMINAL O LONGITUD DE DESFORRE

NOTAS:
 1. 4 ANILLOS ADAPTADORES CON RANURA SON EMPACADOS EN UNA BOLSA DE POLIETILENO CON CADA MOTOR.

CARCASA - LOC	ABIERTO
TAPA - LOC	ABIERTO
CARCASA - LC	SEMI-CERRADO
TAPA - LC	SEMI-CERRADO

CLIENTE	DISTRIBUTION SERVICES
---------	-----------------------

INFORMACION DE ETIQUETA:	DIAGRAMA DE CONEXION EXTRNA
MODEL NO.: F42F14A01 CUST. P/N: BL6519V1 HP: 1/4, 1/5, 1/6 ROT.: REVERSIBLE RPM: 1075/3 SPD. TYPE: FLL FRAME: 42Y VOLTS: 115 PH: 1 AMPS: 4.7 HZ: 60 INS.: B AMB.: 40° C DUTY: AIR OVER CAP.: 5 MFD/ 370V ENCL: - UL LOGO CSA LOGO THERMALLY PROTECTED	RED — LO BLU — MED BLK — HI WHT — BRN/WHT — BRN — ROTATION AT LEAD END CW CCW WHT — BRN — BLK — WHT — BLU — BLU — BRN — BLK —

CURVAS DE FUNCIONAMIENTO	TORSION @1075 RPM (25°C)	MUESTRA APROBADA	COMPONENTE UL	CSA
C30176	23.6 OZ. FT.	PSE7726C	#ARCHIVO CCN #	#ARCHIVO CLASE #
			E46412 PRGY2	LR43341 4211-01

CARACTERISTICAS DE GEOMETRIA Y SIMBOLOS
 □ PLANICIDAD
 — RECTITUD
 < ANGULARIDAD
 ⊥ PERPENDICULARIDAD (A ESCUADRA)
 // PARALELISMO
 ○ REDONDEZ (CIRCULARIDAD)
 ∅ CILINDRICIDAD
 △ PERFIL DE CUALQUIER SUPERFICIE
 ∩ PERFIL DE CUALQUIER LINEA
 ∠ VARIACION
 ⊕ POSICION REAL
 ⊙ CONCENTRICIDAD
 = SIMETRIA
 ASME Y14.5M 1994

REGAL-BELOIT CORPORATION (RBC) PROVEE ASISTENCIA TECNICA A NUESTROS CLIENTES EN VARIAS AREAS. DESDE QUE RBC NO RECIBE TODOS LOS DATOS EN RELACION AL USO Y A LA APLICACION DEL MOTOR, LA APLICACION ADECUADA DEL MOTOR DEBE SER DETERMINADA POR EL CLIENTE.
 DIMENSIONES SIN TOLERANCIA SON DE REFERENCIA SOLAMENTE

DIBUJADO POR: A.ARREOLA 09-26-2013
 APROBADO POR:
 TERCER ANGULO DE PROYECCION
 FECHA EDS: 11-11-2011
 REV. FORMATO: H
 CONFIDENCIAL: ESTE DIBUJO Y SU INFORMACION SON PROPIEDAD DE USO EXCLUSIVO Y CONFIDENCIAL DE REGAL-BELOIT CORPORATION. Y NO DEBERAN SER REVELADOS, DUPLICADOS, DISTRIBUIDOS O USARSE DE OTRA MANERA SIN EL CONSENTIMIENTO ESCRITO DE REGAL-BELOIT CORPORATION. -TODOS LOS DERECHOS RESERVADOS.

REGAL REGAL-BELOIT CORPORATION
 DESCRIPCION: MODEL-RFHP-42FR OUTLINE
 TAMAÑO: C NUMERO DE DIBUJO: BL6519V1
 ESCALA: NONE HOJA: 1

4

3

2

1