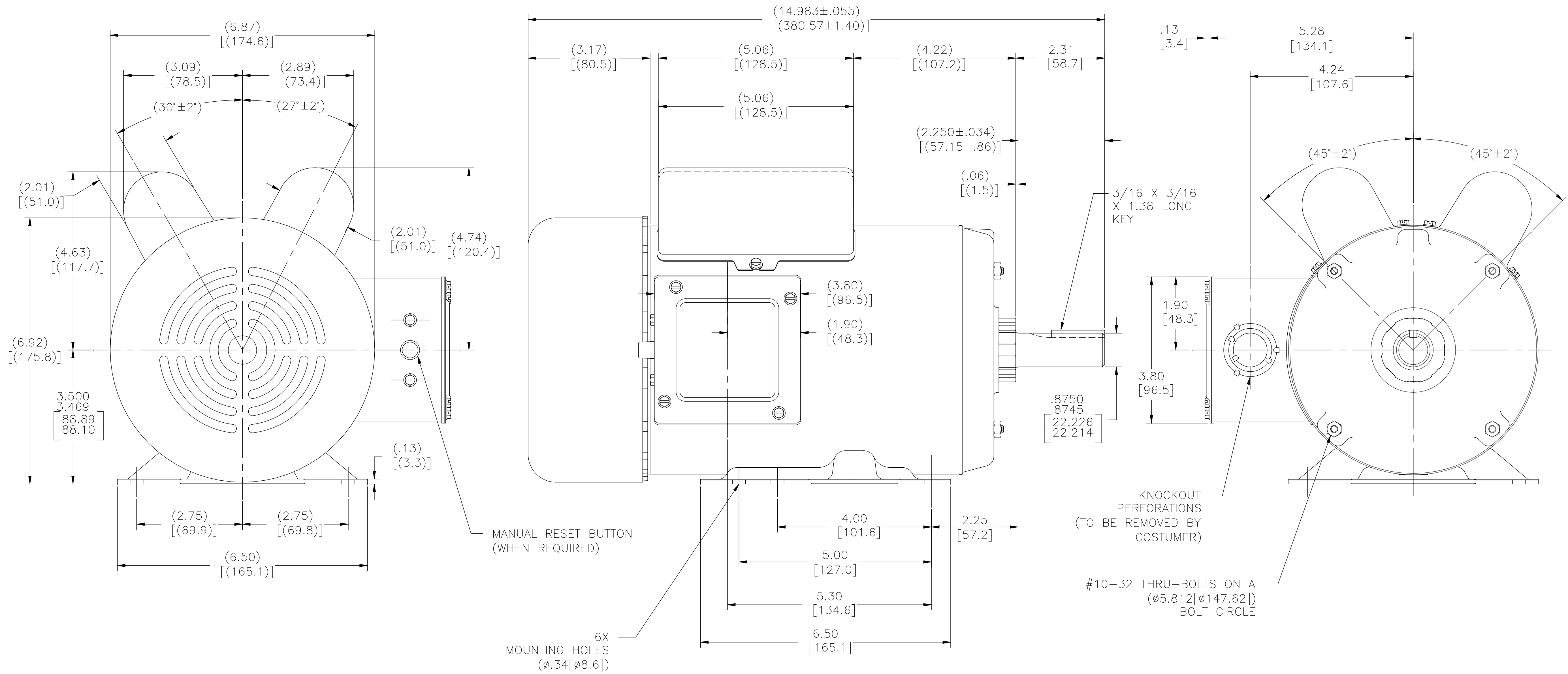


ALL DIMENSIONS SHOWN IN PARENTHESIS ARE REFERENCE DIMENSIONS.



TYPE	FRAME
CP	P145T

DRAWING REVISION	REVISION BY	DATE	TOLERANCES UNLESS OTHERWISE SPECIFIED	DRAWN BY:	Regal Beloit America, Inc.
L	A. BAUGHMAN	12-02-2016	INCH	PLM	
ECC	APPROVED BY	DATE	mm	DATE:	
ECC-0112574	A. BAUGHMAN	12-02-2016	XX ±0.1 [±2.5]	10-26-1984	
ECC DESCRIPTION			XXX ±0.02 [±0.51]	APPROVED BY:	DESCRIPTION
UPDATED TO NEW REGAL TITLEBLOCK			XXX ±0.005 [±0.127]	MH	MODEL-IHP
			XXXX ±0.0005 [±0.0127]	DATE:	OUTLINE
			REMOVE BURRS & BREAK SHARP EDGES .003/.015 [0.076/.381] X 45°	10-31-1984	MATERIAL
			CORNER FILLETS R.02 [L51]	REFERENCE	PROCESS/FINISH
			MACHINED SURFACES	THIRD ANGLE PROJECTION	SIZE DWG NO
			mm SHOWN IN [BRACKETS]		170304
					SHEET
					1