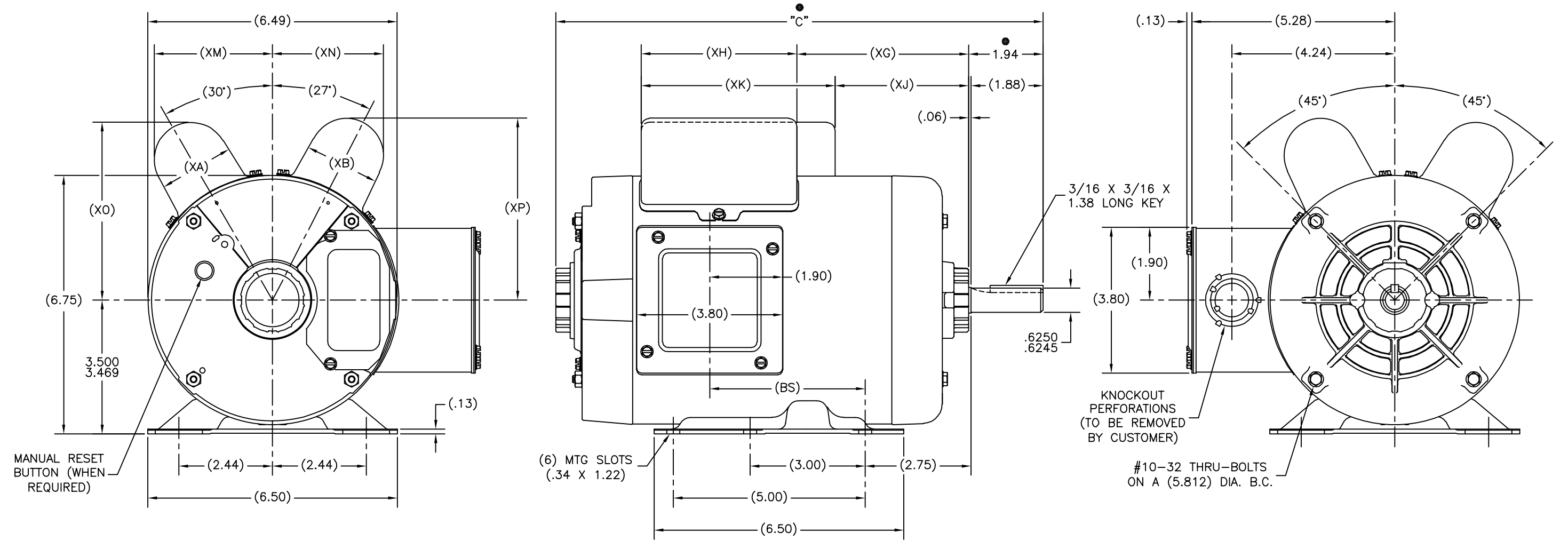


REV	ECO	REV BY	DATE	APPD	DATE
E	0025372	E.SINECIO	04-13-2012	R.RASCON	04-13-2012

ALL DIMENSIONS SHOWN IN PARENTHESIS ARE REFERENCE DIMENSIONS. ALL OTHER DIMENSIONS ARE TOLERANCED PER THE FOLLOWING CHART UNLESS OTHERWISE SPECIFIED.

- "C" DIM. = +/- .055
- SHAFT EXT. = +/- .034
- LEAD LENGTHS = +/- 1.00
- EXTENDED THRU-BOLTS = +/- .050
- ANGULAR DIM. = +/- 2'



-05														
-04														
-03	CPM	L56H	12.19	3.55	2.01	2.01	2.97	5.06	2.97	5.06	3.09	2.89	4.63	4.74
-02	CPM	N56H	13.19	4.55	2.01	2.01	3.97	5.06	3.97	5.06	3.09	2.89	4.63	4.74
-01	CPXM	M56H	12.69	4.05	2.34	1.64	4.21	4.08	3.93	4.64	3.05	2.64	4.30	4.42
GROUP	TYPE	FRAME	"C"	(BS)	(XA)	(XB)	(XG)	(XH)	(XJ)	(XK)	(XM)	(XN)	(XO)	(XP)

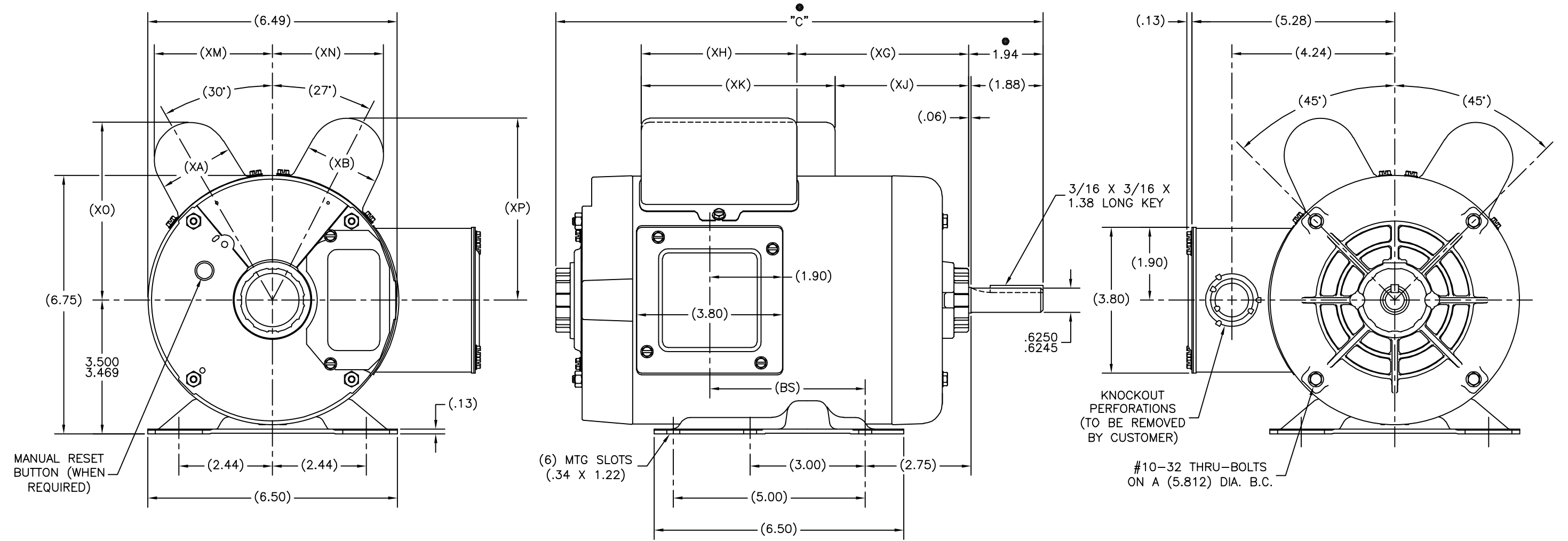
● = CRITICAL DIMENSION

GEOMETRIC CHARACTERISTICS & SYMBOLS ▽ FLATNESS — STRAIGHTNESS ∠ ANGULARITY ⊥ PERPENDICULARITY (SQUARENESS) // PARALLELISM ○ ROUNDNESS (CIRCULARITY) ⊙ CYLINDRICITY ≡ PROFILE OF ANY SURFACE ≡ PROFILE OF ANY LINE ↗ RUNOUT ⊕ TRUE POSITION ⊙ CONCENTRICITY = SYMMETRY	UNLESS OTHERWISE SPECIFIED DIM. TOLERANCES ARE AS FOLLOWS: INCH ±.1 ±.02 ±.005 ±.0005 mm ±0.5 ±0.13 ±0.013 ANG. ±.50 DEG REMOVE BURRS & BREAK SHARP EDGES: INCH .003-.015 mm 0.1-0.4 CORNER FILLETS TO: INCH .020 mm 0.5 MACHINE SURFACES: INCH 125 mm 3.2 METRIC DIMS. SHOWN IN [BRACKETS]	DR BY: PLM	12-16-1986	DESCRIPTION MODEL-CFHP-56FR OUTLINE
		APPD: MH	01-06-1987	
THRD ANGLE PROJECTION		CONFIDENTIAL: THIS DRAWING AND ITS INFORMATION ARE THE EXCLUSIVE AND CONFIDENTIAL PROPERTY OF REGAL-BELOIT CORPORATION AND ARE NOT TO BE DISCLOSED, DUPLICATED, DISTRIBUTED OR OTHERWISE USED WITHOUT THE WRITTEN CONSENT OF REGAL-BELOIT CORPORATION. ALL RIGHTS RESERVED.		SIZE D DWG NO 174086 SCALE NONE SHEET 1

REVISION: ECO	REVISADO POR: E.SINECIO	FECHA: 04-13-2012	APROBADO POR: R.RASCON
E	0025372		04-13-2012

ALL DIMENSIONS SHOWN IN PARENTHESIS ARE REFERENCE DIMENSIONS. ALL OTHER DIMENSIONS ARE TOLERANCED PER THE FOLLOWING CHART UNLESS OTHERWISE SPECIFIED.

- "C" DIM. = +/- .055
- SHAFT EXT. = +/- .034
- LEAD LENGTHS = +/- 1.00
- EXTENDED THRU-BOLTS = +/- .050
- ANGULAR DIM. = +/- 2'



-05															
-04															
-03	CPM	L56H	12.19	3.55	2.01	2.01	2.97	5.06	2.97	5.06	3.09	2.89	4.63	4.74	
-02	CPM	N56H	13.19	4.55	2.01	2.01	3.97	5.06	3.97	5.06	3.09	2.89	4.63	4.74	
-01	CPXM	M56H	12.69	4.05	2.34	1.64	4.21	4.08	3.93	4.64	3.05	2.64	4.30	4.42	
GROUP	TYPE	FRAME	"C"	(BS)	(XA)	(XB)	(XG)	(XH)	(XJ)	(XK)	(XM)	(XN)	(XO)	(XP)	

● = CRITICAL DIMENSION

<p>CARACTERÍSTICAS DE GEOMETRIA Y SIMBOLOS:</p> <ul style="list-style-type: none"> — PLANICIDAD — RECTITUD — ANGULARIDAD — PERPENDICULARIDAD (A ESCUADRA) — PARALELISMO — REDONDEZ (CIRCULARIDAD) — CILINDRICIDAD — PERFIL DE CUALQUIER SUPERFICIE — PERFIL DE CUALQUIER LINEA — VARIACION — POSICION REAL — CONCENTRICIDAD — SIMETRIA <p style="text-align: right; font-size: small;">ASME Y14.5M 1994</p>	<p>— A MENOS QUE SE ESPECIFIQUE DE OTRA MANERA, LAS TOLERANCIAS DE LAS DIMS, SON LAS SIGUIENTES:</p> <p>PULG ±.1 ±.02 ±.005 ±.0005 mm ±0.5 ±0.13 ±0.013</p> <p>— ANG ±50 GRADOS ELIMINAR REBASAS Y ORILLAS FILOSAS DEL BORDE.</p> <p>— PULG .003-.015 mm 0.1-0.4 FILETEAR ESQUINA: PULG .020 mm 0.5 MAQUINAR SUPERFICIES PULG 125 mm 3.2</p> <p style="text-align: right;">DIMES METRICAS MOSTRADAS [PARENTESIS]</p>	<p>DIBUJADO POR: PLM 12-16-1986</p> <p>APROBADO POR: MH 01-06-1987</p> <p>TERCER ANGULO DE PROYECCION: </p> <p>FECHA EDS: 02-22-2008 REV. FORMATO: G</p>	<p style="text-align: center;">REGAL-BELOIT CORPORATION</p> <p>DESCRIPCION: MODEL-CFHP-56FR OUTLINE</p> <p>TAMAÑO: D NUMERO DE DIBUJO: 174086</p> <p>ESCALA: NONE HOJA: 1</p>
---	---	---	---

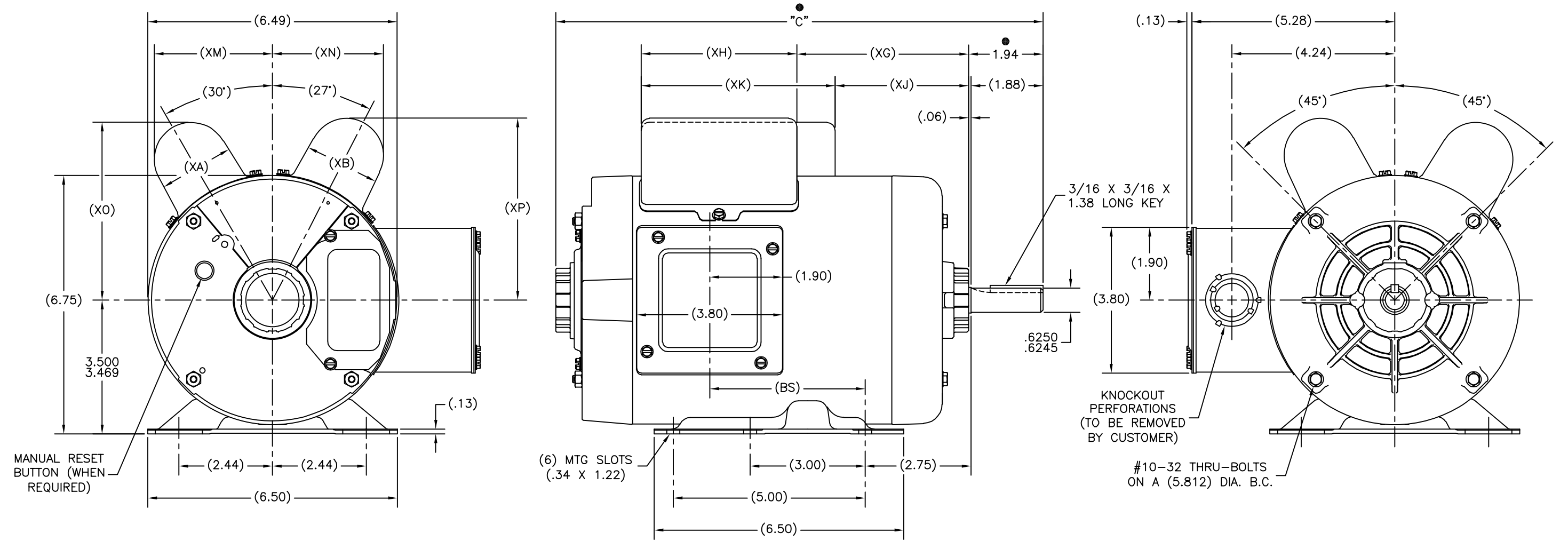
A

A

版本	ECO	编制	日期	批准	日期
E	0025372	E.SINECIO	04-13-2012	R.RASCON	04-13-2012

ALL DIMENSIONS SHOWN IN PARENTHESIS ARE REFERENCE DIMENSIONS. ALL OTHER DIMENSIONS ARE TOLERANCED PER THE FOLLOWING CHART UNLESS OTHERWISE SPECIFIED.

- "C" DIM. = +/- .055
- SHAFT EXT. = +/- .034
- LEAD LENGTHS = +/- 1.00
- EXTENDED THRU-BOLTS = +/- .050
- ANGULAR DIM. = +/- 2'



-05														
-04														
-03	CPM	L56H	12.19	3.55	2.01	2.01	2.97	5.06	2.97	5.06	3.09	2.89	4.63	4.74
-02	CPM	N56H	13.19	4.55	2.01	2.01	3.97	5.06	3.97	5.06	3.09	2.89	4.63	4.74
-01	CPXM	M56H	12.69	4.05	2.34	1.64	4.21	4.08	3.93	4.64	3.05	2.64	4.30	4.42
GROUP	TYPE	FRAME	"C"	(BS)	(XA)	(XB)	(XG)	(XH)	(XJ)	(XK)	(XM)	(XN)	(XO)	(XP)

● = CRITICAL DIMENSION

<p>形位公差 — 平面度 — 直线度 — 倾斜度 — 垂直度 — 平行度 — 圆度 — 圆柱度 — 面轮廓度 — 线轮廓度 — 圆跳动 — 位置度 — 同轴度 — 对称度</p>	<p>除另有注明 尺寸公差如下: 英寸 X XX XXX XXXX ±.1 ±.02 ±.005 ±.0005 毫米 ±0.5 ±0.13 ±0.013 角度 ±.50 度 清理毛刺和尖棱 英寸 .003-.015 毫米 0.1-0.4 内圆角 英寸 .020 毫米 0.5 表面粗糙度 英制 125 米制 3.2 ASME Y14.5M 1994 米制尺寸显示在 []</p>	<p>绘图: PLM 12-16-1986 批准: MH 01-06-1987 第三角投影</p>	<p>名称: MODEL-CFHP-56FR OUTLINE 图号: 174086 比例: NONE</p>	<p>图框格式发布日期 02-22-2008 图框格式版本 G</p>	<p>机密: 本图纸及相关信息所有权归REGAL-BELOIT CORPORATION 未经REGAL-BELOIT CORPORATION书面授权, 不得泄露、复制、传播或作其他用途。—版权所有</p>
--	--	---	--	---	--

A

A