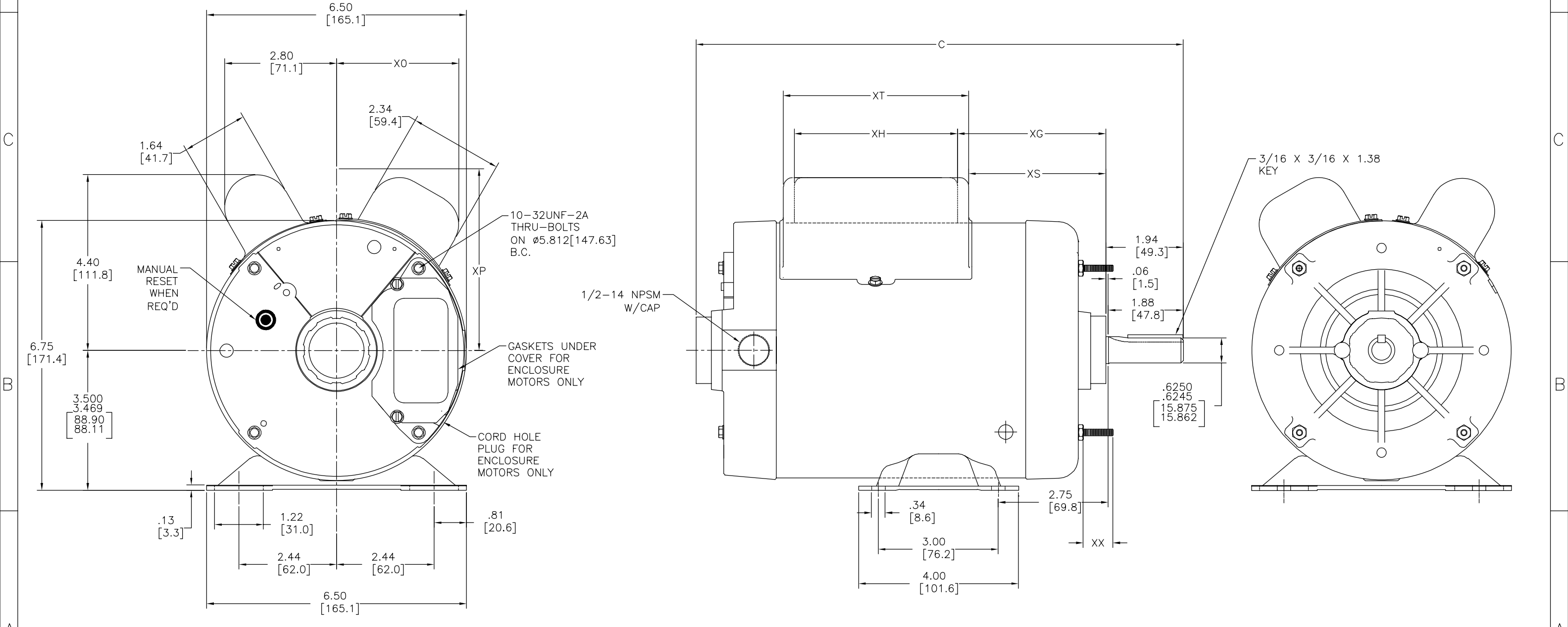


Uncontrolled Copy

GRP.	TYPE	FRAME	C	BS	XX	XH	XG	XS	XT	XO	XP
161254-01	CPX	K56	11.44[290.6]	5.38[136.7]	.75[19.1]	4.64[117.9]	2.93[74.4]	3.21[81.5]	4.08[103.6]	3.30[83.8]	4.38[111.3]
161254-02	CPX	G56	11.94[303.3]	5.88[149.4]	.75[19.1]	5.28[134.1]	2.04[51.8]	3.21[81.5]	4.08[103.6]	3.30[83.8]	4.38[111.3]
161254-03	CPX	T56	12.44[316.0]	6.38[162.1]	.75[19.1]	4.64[117.9]	3.68[93.5]	3.21[81.5]	4.08[103.6]	3.30[83.8]	4.38[111.2]
161254-04	CPX	K56	11.44[290.6]	5.38[136.7]	.75[19.1]	4.64[117.9]	3.57[90.7]	2.96[75.2]	4.08[103.6]	3.18[80.8]	4.23[107.4]
161254-05	CPX	T56	12.44[316.0]	6.38[162.1]	---	4.64[117.9]	3.68[93.5]	3.21[81.5]	4.08[103.6]	3.30[83.8]	4.38[111.2]

REV	ECO	REV BY	DATE	APPD	DATE
G	ECO-0017811	A. DE LUNA	12-03-2010	S. JIMENEZ	12-03-2010

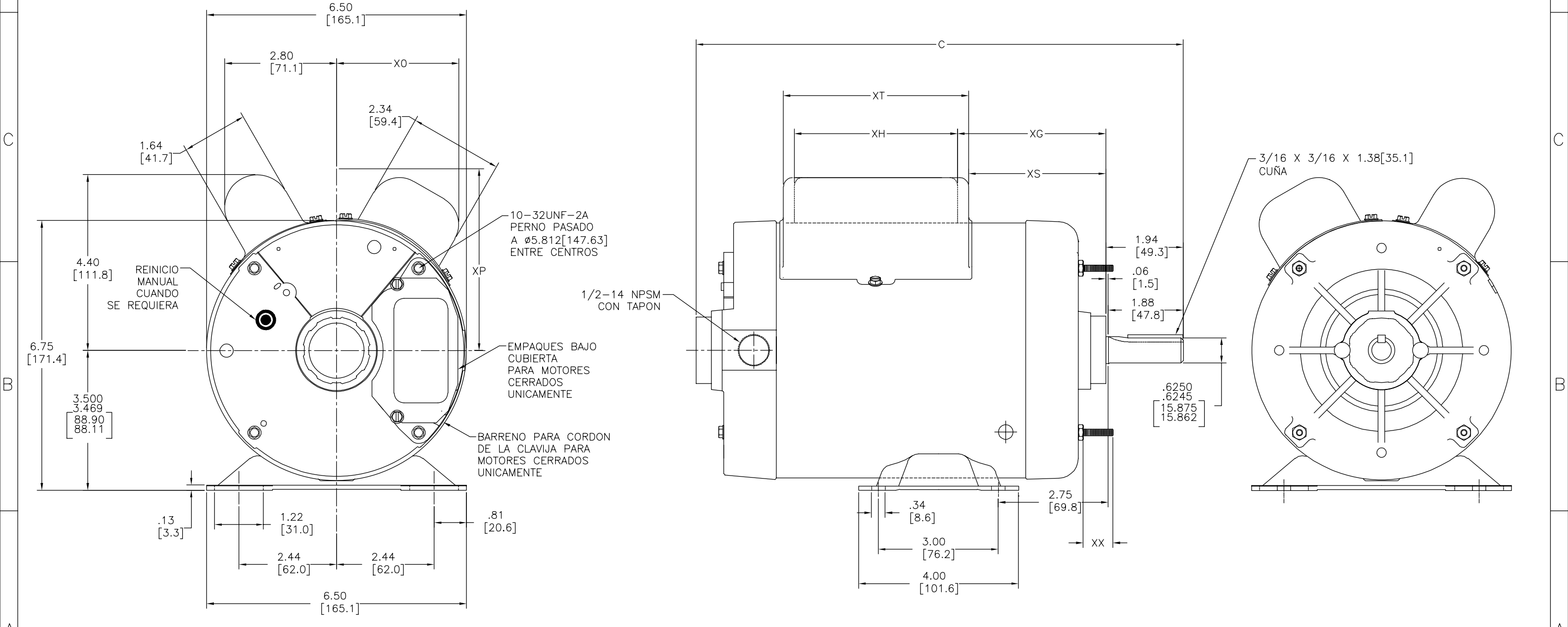


GEOMETRIC CHARACTERISTICS & SYMBOLS □ FLATNESS — STRAIGHTNESS ∠ ANGULARITY ⊥ PERPENDICULARITY (SQUARENESS) // PARALLELISM R ROUNDNESS (CIRCULARITY) ⌀ CYLINDRICITY ≡ PROFILE OF ANY SURFACE ∩ PROFILE OF ANY LINE ↗ RUNOUT ⊕ TRUE POSITION ⊙ CONCENTRICITY = SYMMETRY	UNLESS OTHERWISE SPECIFIED DIM. TOLERANCES ARE AS FOLLOWS: INCH ±.1 ±.02 ±.005 ±.0005 mm ±0.5 ±0.13 ±0.013 ANG. ±.50 DEG REMOVE BURRS & BREAK SHARP EDGES: INCH .003-.015 CORNER FILLETS TO: INCH .020 mm 0.5 MACHINE SURFACES: INCH 125/ mm 3.2 METRIC DIMS. SHOWN IN [BRACKETS]	DR BY: MH APPD: THIRD ANGLE PROJECTION	2-26-81 EDS DATE 02-22-2008 FORMAT REV F	AC Smith innovation has a name. ELECTRICAL PRODUCTS COMPANY A DIVISION OF A. O. SMITH CORPORATION
DESCRIPTION: OUTLINE				SIZE D SCALE NONE SHEET 1
CONFIDENTIAL: THIS DRAWING AND ITS INFORMATION ARE THE EXCLUSIVE AND CONFIDENTIAL PROPERTY OF A.O. SMITH CORP. AND ARE NOT TO BE DISCLOSED, DUPLICATED, DISTRIBUTED OR OTHERWISE USED WITHOUT THE WRITTEN CONSENT OF A.O. SMITH CORP. -ALL RIGHTS RESERVED. ASME Y14.5M 1994				DWG NO 161254 SHEET 1

Uncontrolled Copy

GRUPO	TIPO	CARCAZA	C	BS	XX	XH	XG	XS	XT	XO	XP
161254-01	CPX	K56	11.44[290.6]	5.38[136.7]	.75[19.1]	4.64[117.9]	2.93[74.4]	3.21[81.5]	4.08[103.6]	3.30[83.8]	4.38[111.3]
161254-02	CPX	G56	11.94[303.3]	5.88[149.4]	.75[19.1]	5.28[134.1]	2.04[51.8]	3.21[81.5]	4.08[103.6]	3.30[83.8]	4.38[111.3]
161254-03	CPX	T56	12.44[316.0]	6.38[162.1]	.75[19.1]	4.64[117.9]	3.68[93.5]	3.21[81.5]	4.08[103.6]	3.30[83.8]	4.38[111.2]
161254-04	CPX	K56	11.44[290.6]	5.38[136.7]	.75[19.1]	4.64[117.9]	3.57[90.7]	2.96[75.2]	4.08[103.6]	3.18[80.8]	4.23[107.4]
161254-05	CPX	T56	12.44[316.0]	6.38[162.1]	---	4.64[117.9]	3.68[93.5]	3.21[81.5]	4.08[103.6]	3.30[83.8]	4.38[111.2]

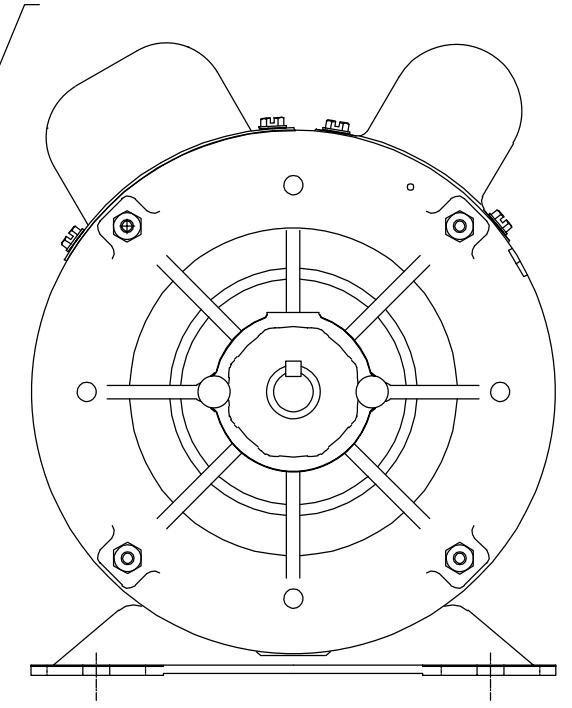
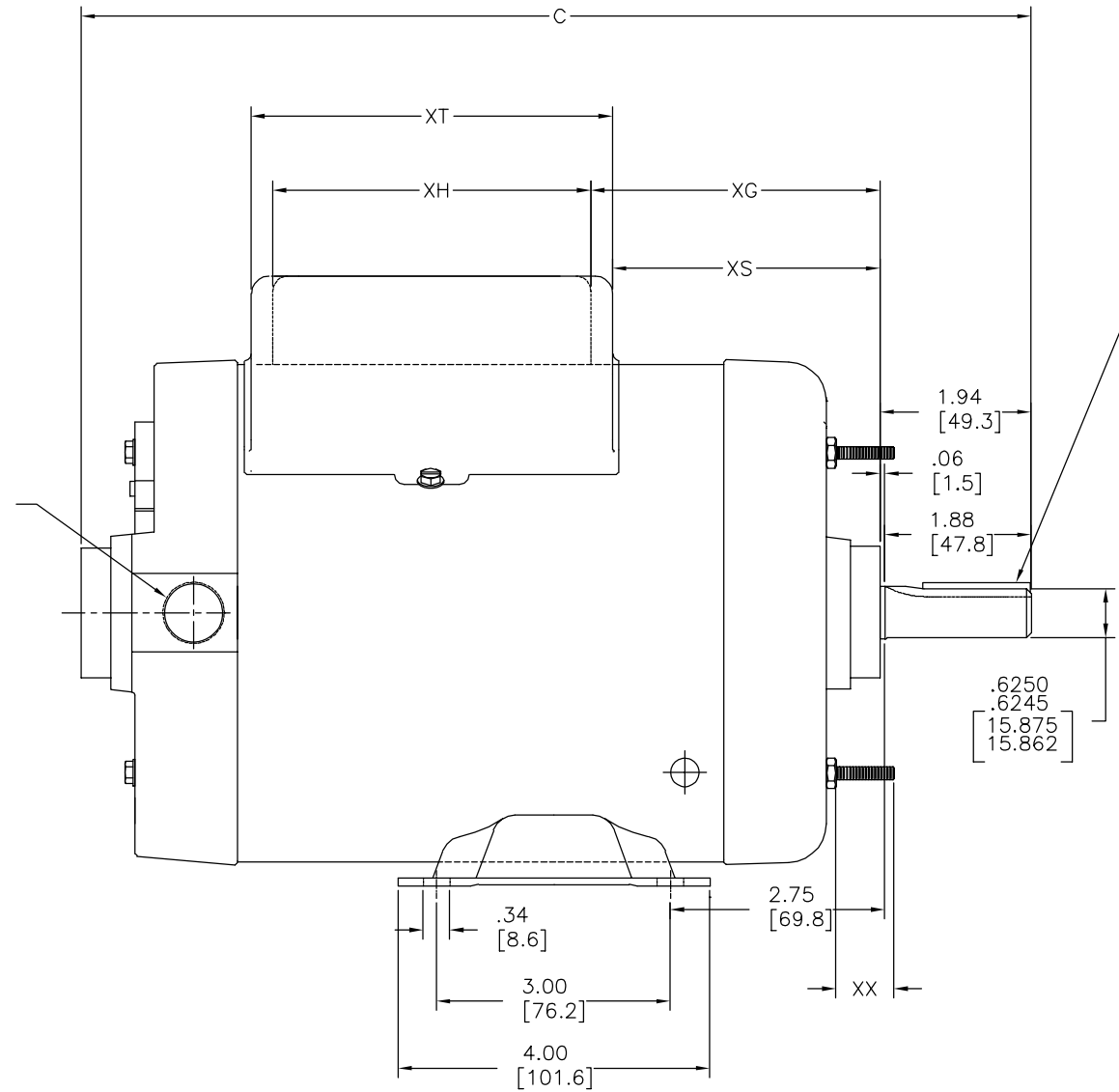
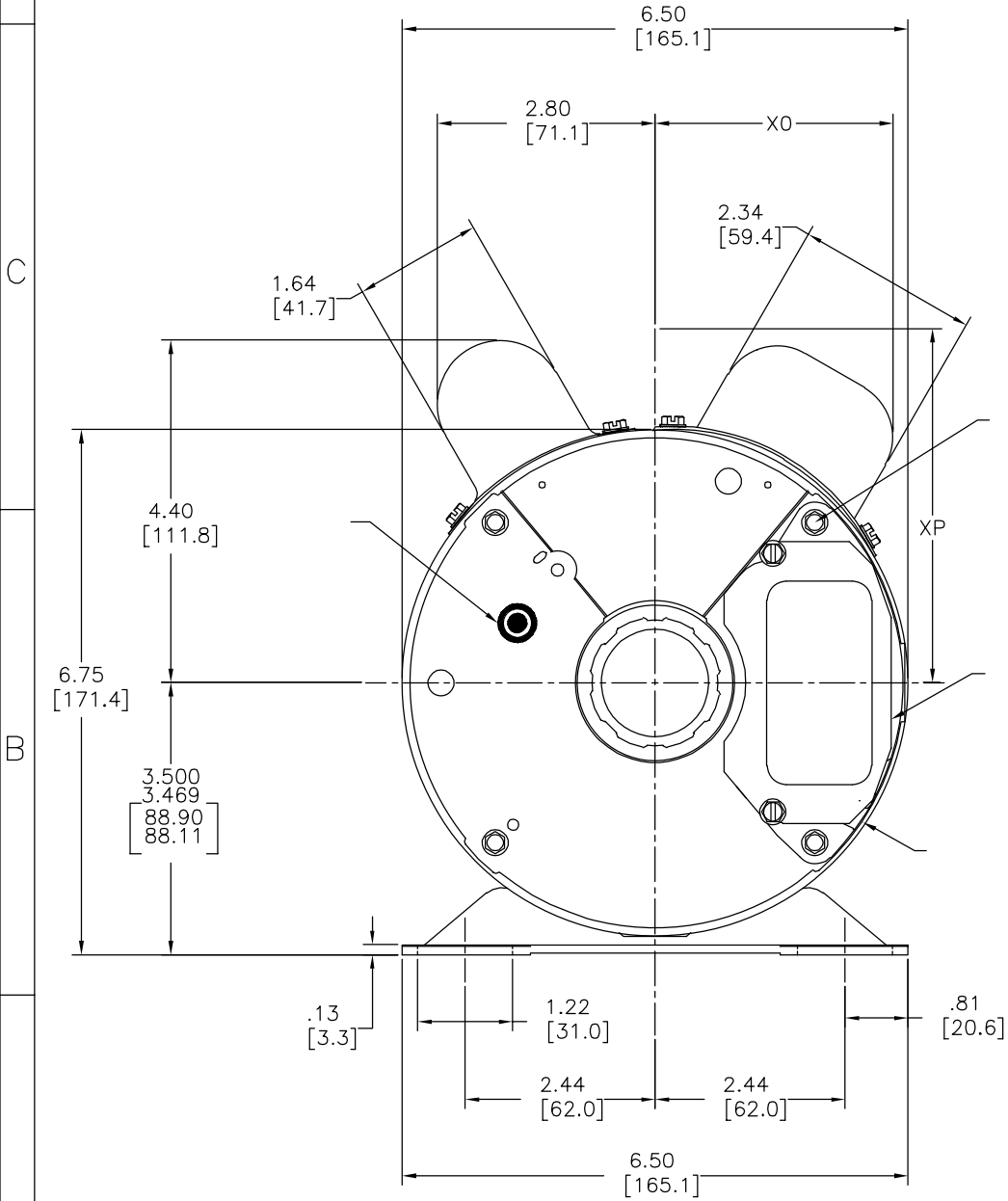
REVISION: ECO	REVISADO POR: A. DE LUNA	FECHA: 12-03-2010	APROBADO POR: S. JIMENEZ	FECHA: 12-03-2010
---------------	--------------------------	-------------------	--------------------------	-------------------



<p>CARACTERISTICAS DE GEOMETRIA Y SIMBOLOS:</p> <ul style="list-style-type: none"> — PLANICIDAD — RECTITUD — ANGULARIDAD — PERPENDICULARIDAD (A ESCUADRA) — PARALELISMO — REDONDEZ (CIRCULARIDAD) — CILINDRICIDAD — PERFIL DE CUALQUIER SUPERFICIE — PERFIL DE CUALQUIER LINEA — VARIACION — POSICION REAL — CONCENTRICIDAD — SIMETRIA 	<p>A MENOS QUE SE ESPECIFIQUE DE OTRA MANERA, LAS TOLERANCIAS DE LAS DIMS, SON LAS SIGUIENTES:</p> <p>PULG ±.1 ±.02 ±.005 ±.0005 mm ±0.5 ±0.13 ±0.013</p> <p>ANG. ±.50 GRADOS</p> <p>ELIMINAR REBABAS Y ORILLAS FILOSAS DEL BORDE.</p> <p>PULG .003-.015 mm 0.1-0.4</p> <p>FILETEAR ESQUINA: PULG .020 mm 0.5</p> <p>MAQUINAR SUPERFICIES</p> <p>PULG 125 mm 3.2</p> <p>DIMS METRICAS MOSTRADAS [PARENTESIS]</p>	<p>DIBUJADO POR: MH</p> <p>APROBADO POR:</p> <p>TERCER ANGULO DE PROYECCION: </p>	<p>2-26-81</p> <p>FECHA EDS: 02-22-2008</p> <p>REV. FORMATO: F</p>	<p>AC Smith ELECTRICAL PRODUCTS COMPANY <small>innovation has a name. A DIVISION OF A. O. SMITH CORPORATION</small></p> <p>DESCRIPCION: OUTLINE</p> <p>TAMAÑO: D NUMERO DE DIBUJO: 161254</p> <p>ESCALA: NONE HOJA: 1</p>
--	---	---	--	--

	8	7	6	5	4	3	2	1			
		C	BS	XX	XH	XG	XS	XT	XO	XP	
161254-01	CPX	K56	11.44[290.6]	5.38[136.7]	.75[19.1]	4.64[117.9]	2.93[74.4]	3.21[81.5]	4.08[103.6]	3.30[83.8]	4.38[111.3]
161254-02	CPX	G56	11.94[303.3]	5.88[149.4]	.75[19.1]	5.28[134.1]	2.04[51.8]	3.21[81.5]	4.08[103.6]	3.30[83.8]	4.38[111.3]
161254-03	CPX	T56	12.44[316.0]	6.38[162.1]	.75[19.1]	4.64[117.9]	3.68[93.5]	3.21[81.5]	4.08[103.6]	3.30[83.8]	4.38[111.2]
161254-04	CPX	K56	11.44[290.6]	5.38[136.7]	.75[19.1]	4.64[117.9]	3.57[90.7]	2.96[75.2]	4.08[103.6]	3.18[80.8]	4.23[107.4]
161254-05	CPX	T56	12.44[316.0]	6.38[162.1]	---	4.64[117.9]	3.68[93.5]	3.21[81.5]	4.08[103.6]	3.30[83.8]	4.38[111.2]

版本	ECO	编制	日期	批准	日期
G	ECO-0017811	A. DE LUNA	12-03-2010	S. JIMENEZ	12-03-2010



形位公差 □ 平面度 ⊥ 垂直度 ∥ 平行度 ○ 圆度 ⊙ 圆柱度 ⊖ 面轮廓度 ⊕ 线轮廓度 ⊕ 位置度 ⊕ 同轴度 ⊕ 对称度	除另有注明 尺寸公差如下: 英寸 X XX XXX XXXX 毫米 ±.1 ±.02 ±.005 ±.0005 毫米 ±0.5 ±0.13 ±0.013 角度 ±.50 度 清理毛刺和尖棱 英寸 .003-.015 毫米 0.1-0.4 内圆角 英寸 .020 毫米 0.5 表面粗糙度 英制 125 米制 3.2 米制尺寸显示在 []	绘图: MH	2-26-81	ASME Y14.5M 1994	AC Smith innovation has a name. ELECTRICAL PRODUCTS COMPANY A DIVISION OF A. O. SMITH CORPORATION
		批准:	名称:		
第三角投影				图框格式发布日期 02-22-2008 图框格式版本 F	名称:
机密: 本图纸及相关信息所有权归A. O. SMITH公司所有。未经A. O. SMITH公司书面授权, 不得泄露、复制、传播或作其他用途。一版权所有				图框:	名称:
				图号:	名称:
				比例:	名称:
				比例:	名称: