

GENERAL INFORMATION:

SHAFT RUNOUT: .001[.03] T.I.R. PER INCH LENGTH OF EXTENSION

BEARINGS: 203 BALL

MOUNTING POSITION: HORIZONTAL

ELECTRICAL DATA:

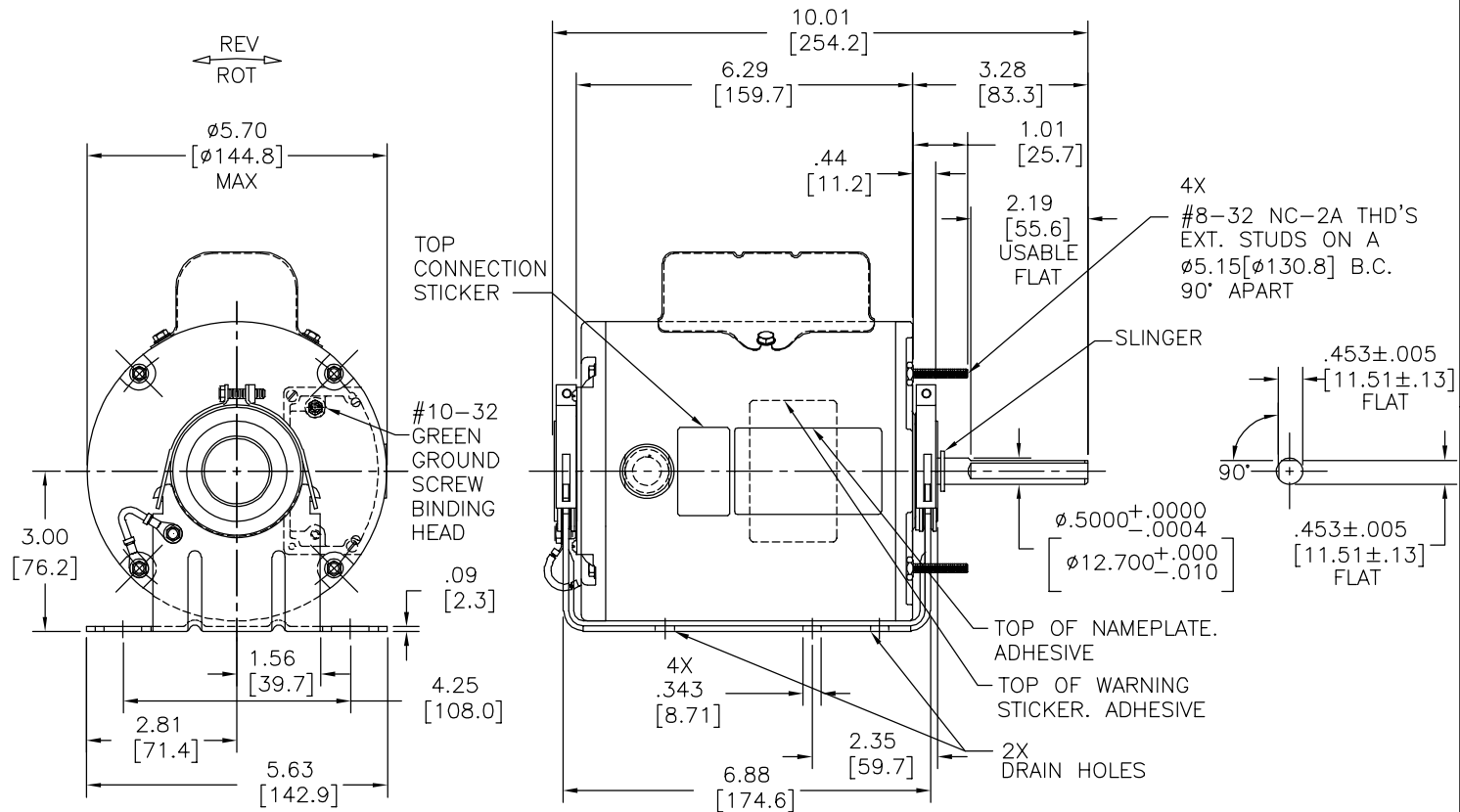
OVERLOAD PROTECTOR: AUTOMATIC RESET (SENSATA 7AM 036)

LEADS: NO. 18 GA., .03[.8] THK. XLP 125°C INSUL.

GROUND LEAD: NO. 18 GA., .03[.8] THK. GRN/YEL. INSUL.

NOTES:

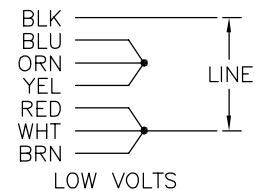
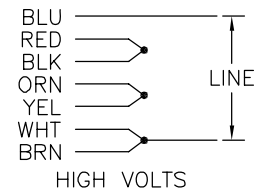
- SHIP SEPARATE 72T7140A-2
- DISTRIBUTION: CUST. P/N: C046A  
GRAINGER: CUST. P/N: 2FGP8



NAMEPLATE DATA:

MODEL NO.: F48Y38A01  
CUST. P/N: [ ]  
HP: 1/3  
ROT.: REV  
RPM: 1100  
TYPE: UF  
FRAME: 48Z  
VOLTS: 115/230  
PH: 1  
AMPS: 4.5/2.3  
HZ: 60  
INS.: B  
AMB.: 40°C  
DUTY: AIR OVER  
CAP.: 7.5 MFD/370 V  
ENCL: ENCLOSED  
UL LOGO  
CSA LOGO  
THERMALLY PROTECTED

EXTERNAL CONNECTION DIAGRAM



MOTOR CONNECTED FOR CCWLE ROTATION & 115V TO REVERSE, INTERCHANGE BROWN & YELLOW LEADS

D0000522-001

GRN/YEL (GRD)	3.0/5.0 [76/127]	#8 EYELET
BLUE	5.0/7.0 [127/178]	.50 [12.8] STRIP
RED	5.0/7.0 [127/178]	.50 [12.8] STRIP
BLACK	5.0/7.0 [127/178]	.50 [12.8] STRIP
ORANGE	5.0/7.0 [127/178]	.50 [12.8] STRIP
YELLOW	5.0/7.0 [127/178]	.50 [12.8] STRIP
WHITE	5.0/7.0 [127/178]	.50 [12.8] STRIP
BROWN	5.0/7.0 [127/178]	.50 [12.8] STRIP
BROWN	CONNECTED TO CAPACITOR	.25 [6.4] FLAG
BROWN	CONNECTED TO CAPACITOR	.25 [6.4] FLAG
COLOR	LENGTH	TERMINAL OR STRIP LENGTH

PERFORMANCE CURVE NO.	TORQUE @1100 RPM (25°C)	APPROVED SAMPLE	UL COMPONENT FILE #	CCN #	CSA FILE #	CLASS #
C32623	32.3 OZ. FT.	0601687A	E46412	PRGY2	LR43341	4211-01

MAIN FRAME - OLE	ENCL. W/DRAIN PLUG
END FRAME - OLE	ENCL.
MAIN FRAME - LE	ENCL. W/DRAIN PLUG
END FRAME - LE	ENCL.

REGAL-BELOIT CORPORATION (RBC) PROVIDES TECHNICAL ASSISTANCE TO OUR CUSTOMERS IN SEVERAL AREAS. SINCE RBC DOES NOT RECEIVE ALL DATA CONCERNING THE USE AND APPLICATION OF THE MOTOR, THE SUITABILITY OF THE MOTOR FOR THE APPLICATION MUST BE DETERMINED BY THE CUSTOMER.

DIMENSIONS WITHOUT TOLERANCES ARE FOR REFERENCE ONLY.

LEAD DATA		
DRAWING REVISION: R	REVISION BY: P.ROJAS	DATE: 04-22-2014
ECO: ECO-0044559	APPROVED BY: D.BALDERRAMA	DATE: 04-22-2014
ECO DESCRIPTION: SEE ECO		
<small>COPYRIGHT REGAL-BELOIT AMERICA, INC. ALL RIGHTS RESERVED. PROPRIETARY AND CONFIDENTIAL INFORMATION - THIS DOCUMENT IS THE PROPERTY OF REGAL-BELOIT AMERICA, INC. ("OWNER") AND CONTAINS OWNER'S PROPRIETARY INFORMATION. ANY PERSON, CORPORATION OR OTHER FIRM RECEIVING IT IS DEEMED, BY RECEIVING IT, TO AGREE THAT IT, AND/OR ANY PART OF IT, SHALL NOT BE DISCLOSED TO ANY PERSON, CORPORATION OR OTHER ENTITY, DUPLICATED, AND/OR USED, EXCEPT AS EXPRESSLY APPROVED IN WRITING IN ADVANCE BY OWNER. THIS DOCUMENT SHALL BE RETURNED TO OWNER UPON REQUEST. IT MAY BE SUBJECT TO CERTAIN RESTRICTIONS UNDER APPLICABLE EXPORT CONTROL LAWS AND REGULATIONS.</small>		

ENCLOSURE		REGAL™ Regal Beloit America, Inc.	
DRAWN BY: SR	DATE: 11-17-2006	DESCRIPTION: MODEL-RFHP-48FR OUTLINE	
APPROVED BY: AS	DATE: 01-31-2007	MATERIAL:	PROCESS/FINISH:
REFERENCE:	THIRD ANGLE PROJECTION	SIZE: C	DWG NO: F48Y38A01
			SHEET 1

D

C

B

A

D

C

B

A