

4

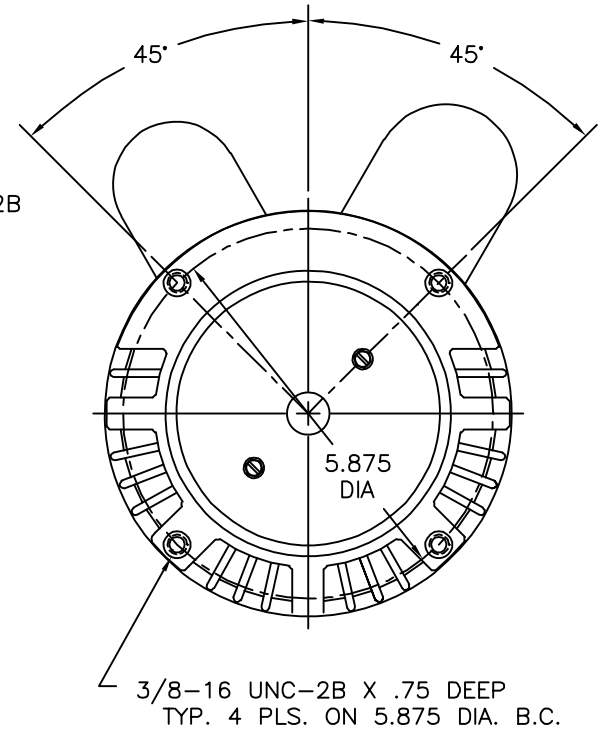
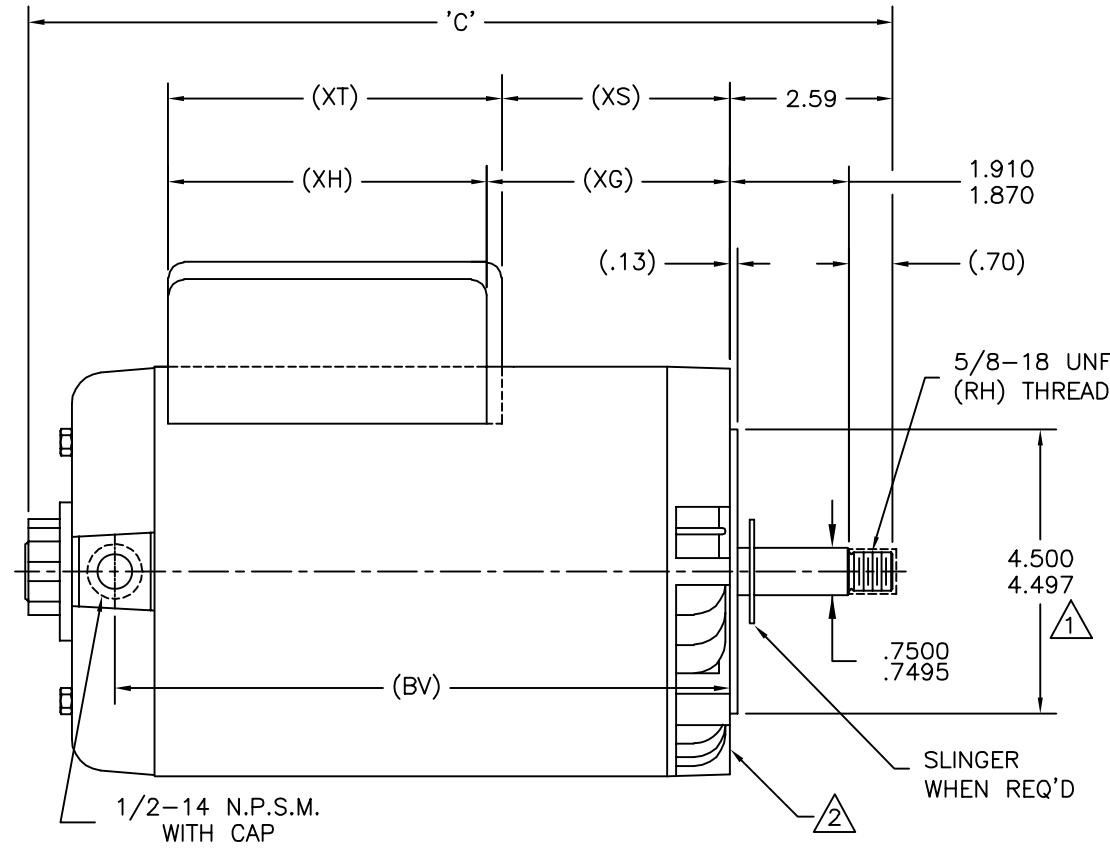
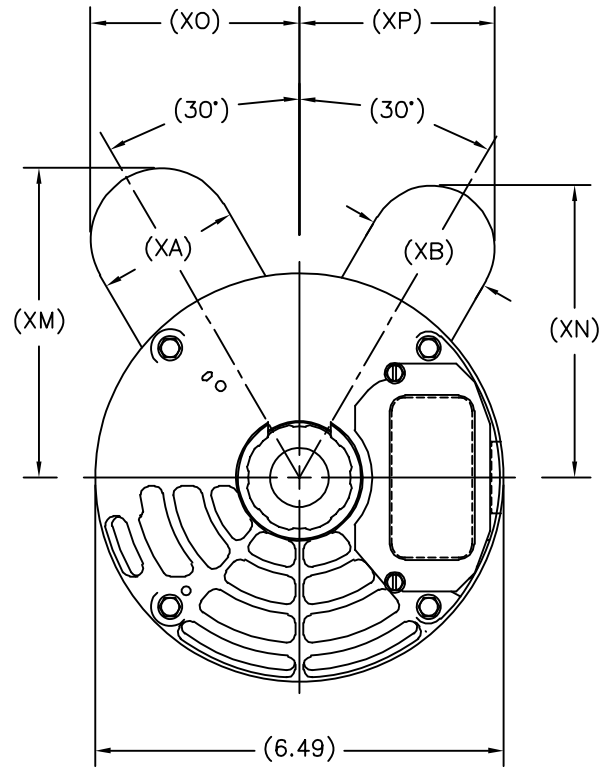
3

2

1

REV	DATE	ECN	DESCRIPTION	REV BY	APPD
1		OOM18773	CREATED FOR ECN: M18773		

GROUP	FRAME	TYPE	'C'	BV	XA	XB	XM	XN	XO	XP	XG	XH	XS	XT
01	P56JZ	CP	13.56	9.68	2.27	2.01	4.92	4.64	3.32	3.10	3.85	5.06	3.61	5.30



D  
C  
B  
A

D  
C  
B  
A

AUTOCAD FORM 3	UNLESS OTHERWISE SPECIFIED DIM ARE IN INCHES .X = ± .1 .XX = ± .02 .XXX = ± .005 .XXXX = ± .0005 ANG = ± .5	DR BY: vivwhi 2000/04/13	1181 CORPORATE LAKE DRIVE ST. LOUIS, MISSOURI 63132
	THE INFORMATION HEREON IS THE PROPERTY OF MAGNETEK INC. AND/OR ITS SUBSIDIARIES. WITHOUT WRITTEN PERMISSION, ANY COPYING, TRANSMITTAL TO OTHERS, AND ANY USE EXCEPT THAT FOR WHICH IT IS LOANED, IS PROHIBITED.	CK BY: richum APPD: . ISS: .	
	THIRD ANGLE PROJECTION	SCALE: 1=1	SIZE: C
		DWG NO: 195220	REV: 1
		SHEET 1 OF 1	

4

3

2

1

4

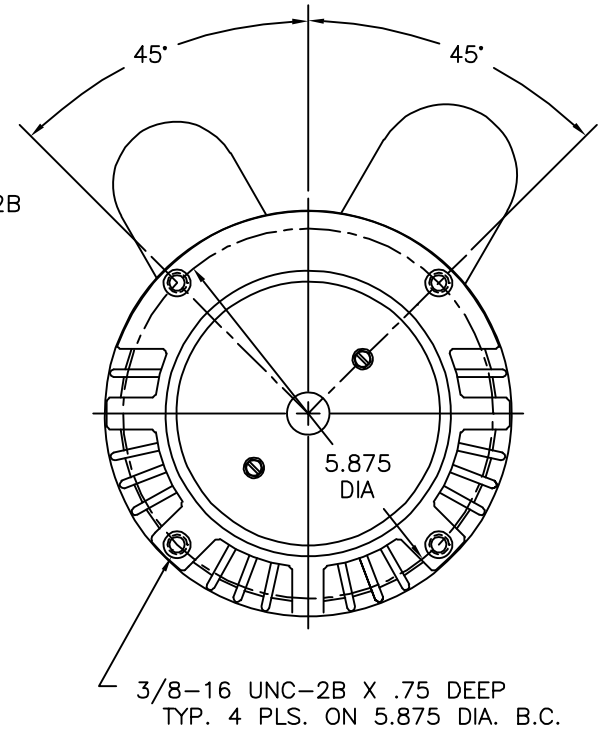
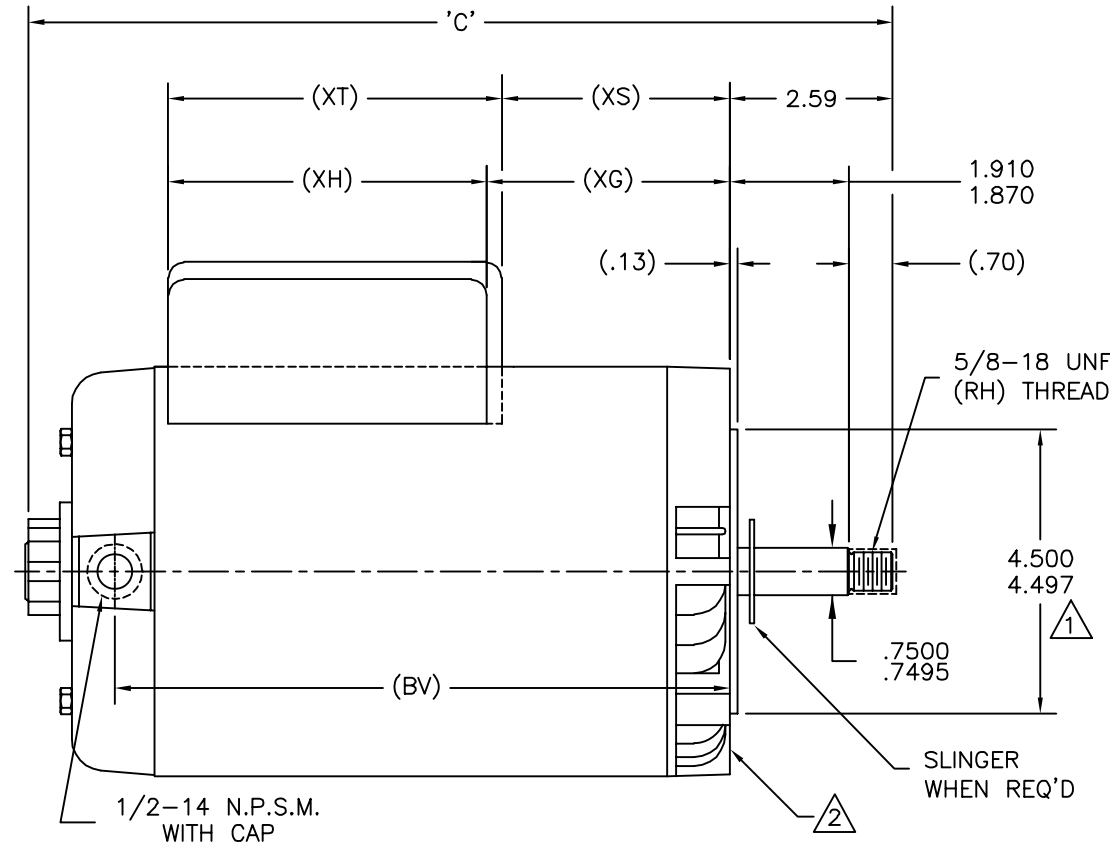
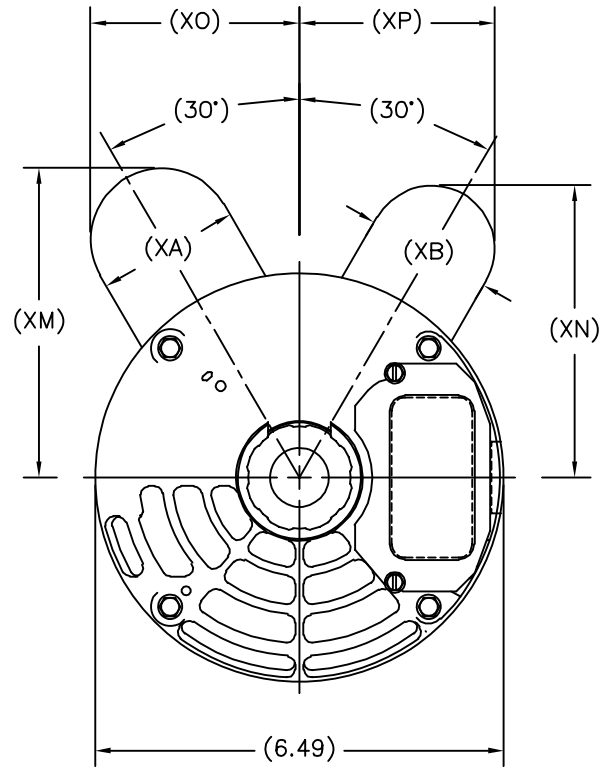
3

2

1

REV	DATE	ECN	DESCRIPTION	REV BY	APPD
1		OOM18773	CREATED FOR ECN: M18773		

GROUP	FRAME	TYPE	'C'	BV	XA	XB	XM	XN	XO	XP	XG	XH	XS	XT
01	P56JZ	CP	13.56	9.68	2.27	2.01	4.92	4.64	3.32	3.10	3.85	5.06	3.61	5.30



D  
C  
B  
A

D  
C  
B  
A

4

3

2

1

AUTOCAD FORM 3	UNLESS OTHERWISE SPECIFIED DIM ARE IN INCHES .X = ± .1 .XX = ± .02 .XXX = ± .005 .XXXX = ± .0005 ANG = ± .5	DR BY: vivwhi 2000/04/13	1181 CORPORATE LAKE DRIVE ST. LOUIS, MISSOURI 63132
	THE INFORMATION HEREON IS THE PROPERTY OF MAGNETEK INC. AND/OR ITS SUBSIDIARIES. WITHOUT WRITTEN PERMISSION, ANY COPYING, TRANSMITTAL TO OTHERS, AND ANY USE EXCEPT THAT FOR WHICH IT IS LOANED, IS PROHIBITED.	CK BY: richum APPD: . ISS: .	
	THIRD ANGLE PROJECTION	SCALE: 1=1	SIZE: C DWG NO: 195220 SHEET 1 OF 1
			REV 1

4

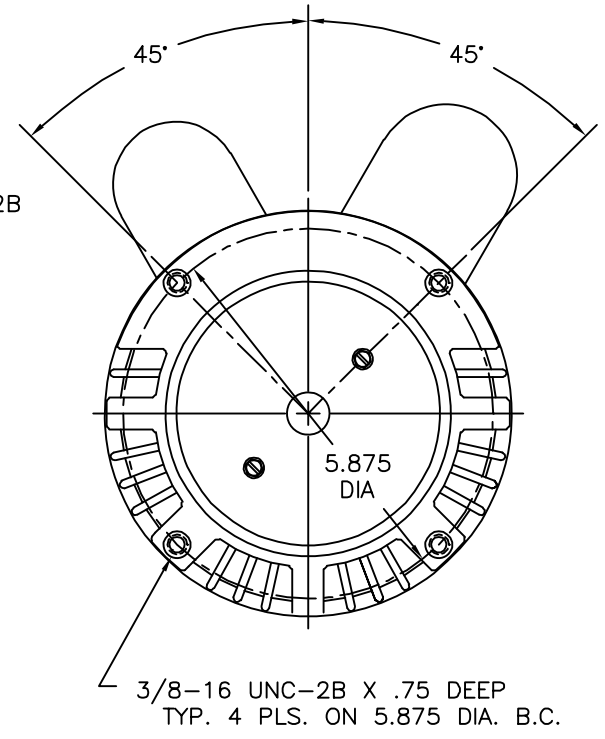
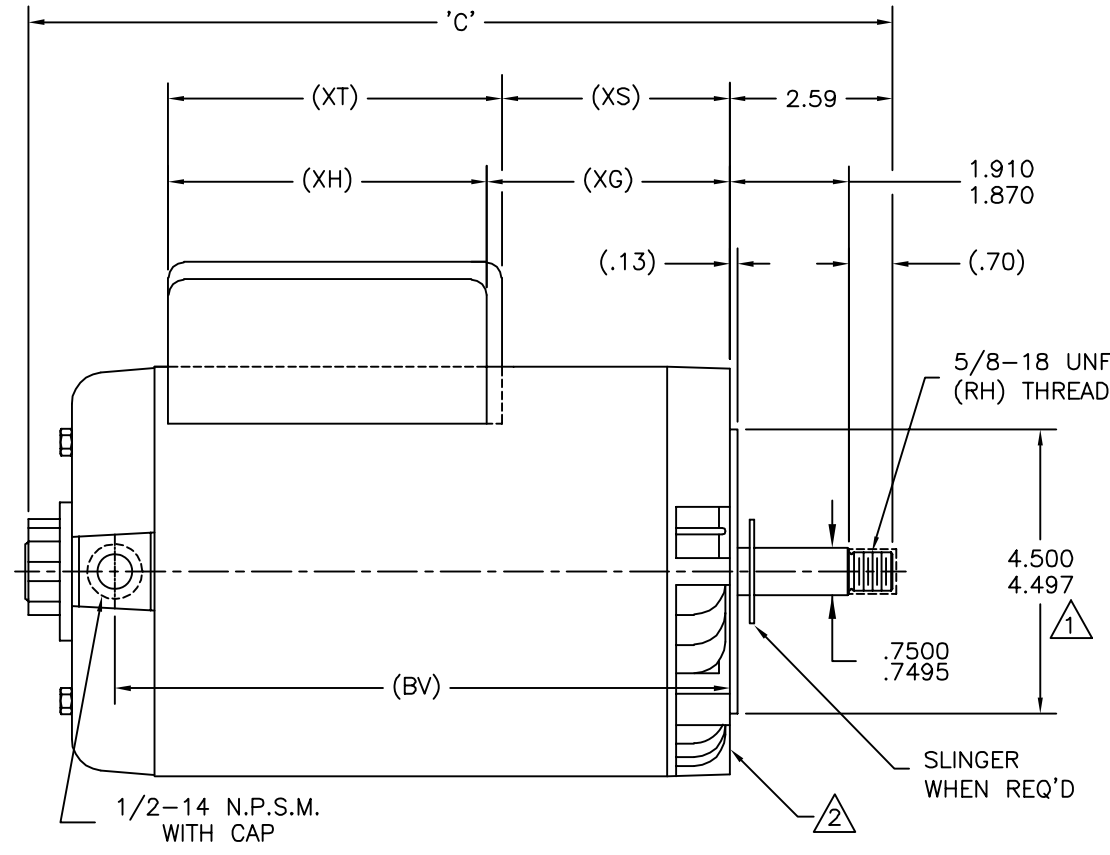
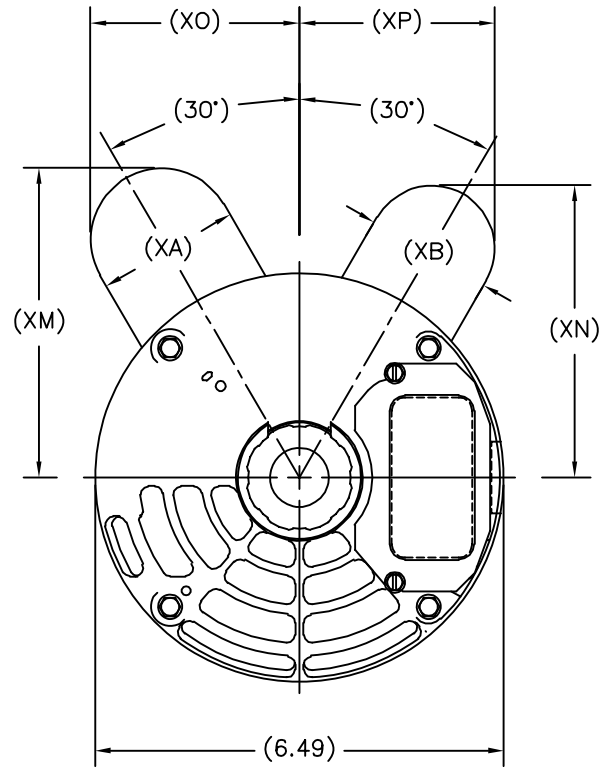
3

2

1

REV	DATE	ECN	DESCRIPTION	REV BY	APPD
1		OOM18773	CREATED FOR ECN: M18773		

GROUP	FRAME	TYPE	'C'	BV	XA	XB	XM	XN	XO	XP	XG	XH	XS	XT
01	P56JZ	CP	13.56	9.68	2.27	2.01	4.92	4.64	3.32	3.10	3.85	5.06	3.61	5.30



D  
C  
B  
A

D  
C  
B  
A

AUTOCAD FORM 3	UNLESS OTHERWISE SPECIFIED DIM ARE IN INCHES .X = ± .1 .XX = ± .02 .XXX = ± .005 .XXXX = ± .0005 ANG = ± .5	DR BY: vivwhi 2000/04/13	1181 CORPORATE LAKE DRIVE ST. LOUIS, MISSOURI 63132
	THE INFORMATION HEREON IS THE PROPERTY OF MAGNETEK INC. AND/OR ITS SUBSIDIARIES. WITHOUT WRITTEN PERMISSION, ANY COPYING, TRANSMITTAL TO OTHERS, AND ANY USE EXCEPT THAT FOR WHICH IT IS LOANED, IS PROHIBITED.	CK BY: richum APPD: . ISS: .	
	THIRD ANGLE PROJECTION	SCALE: 1=1	REV: 1
		DWG NO: 195220	SHEET 1 OF 1

4

3

2

1