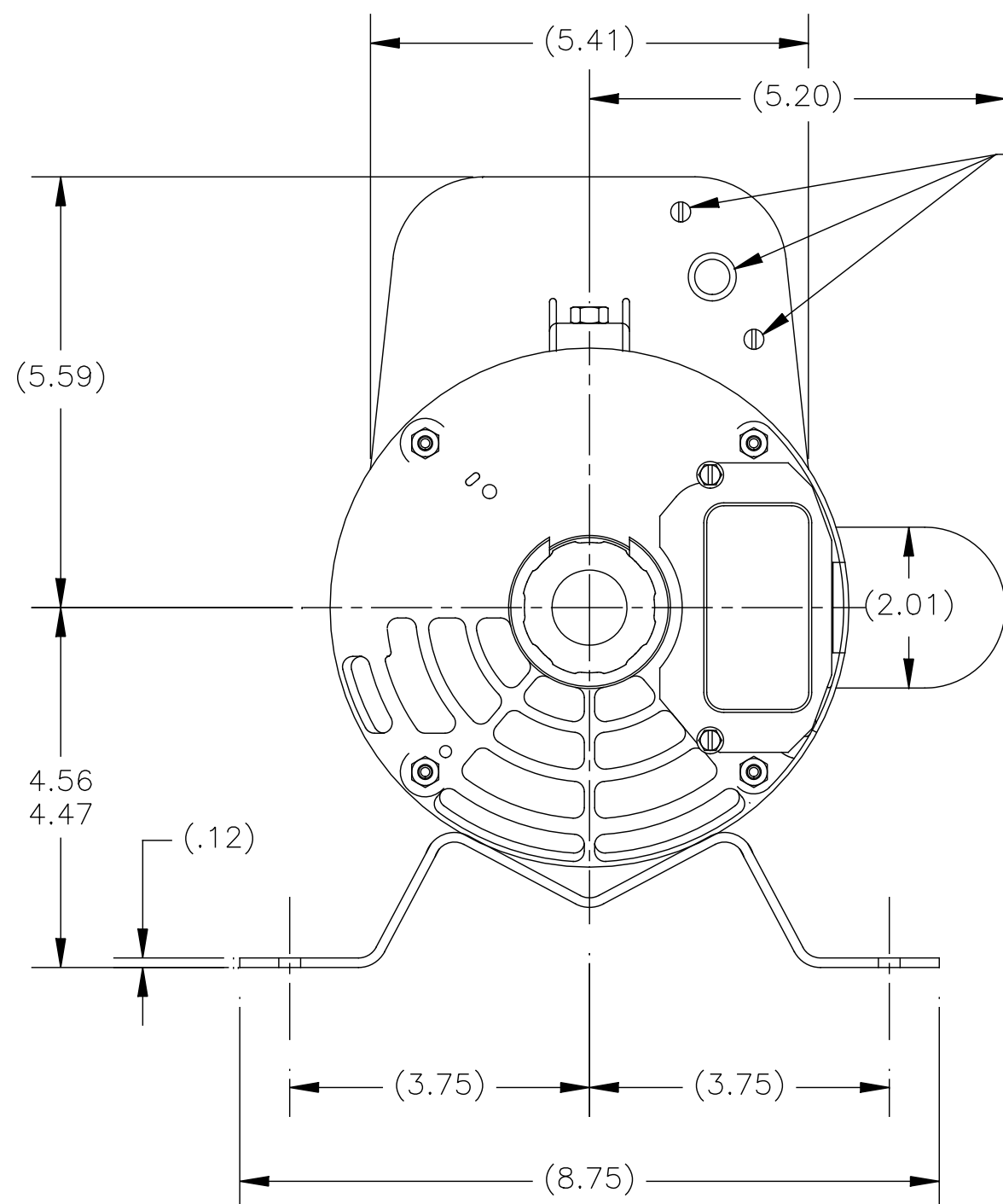


NOTE:
 TERMINAL BOX TO BE LOCATED
 AT 12:00 WITHIN $\pm 1\ 1/2^\circ$

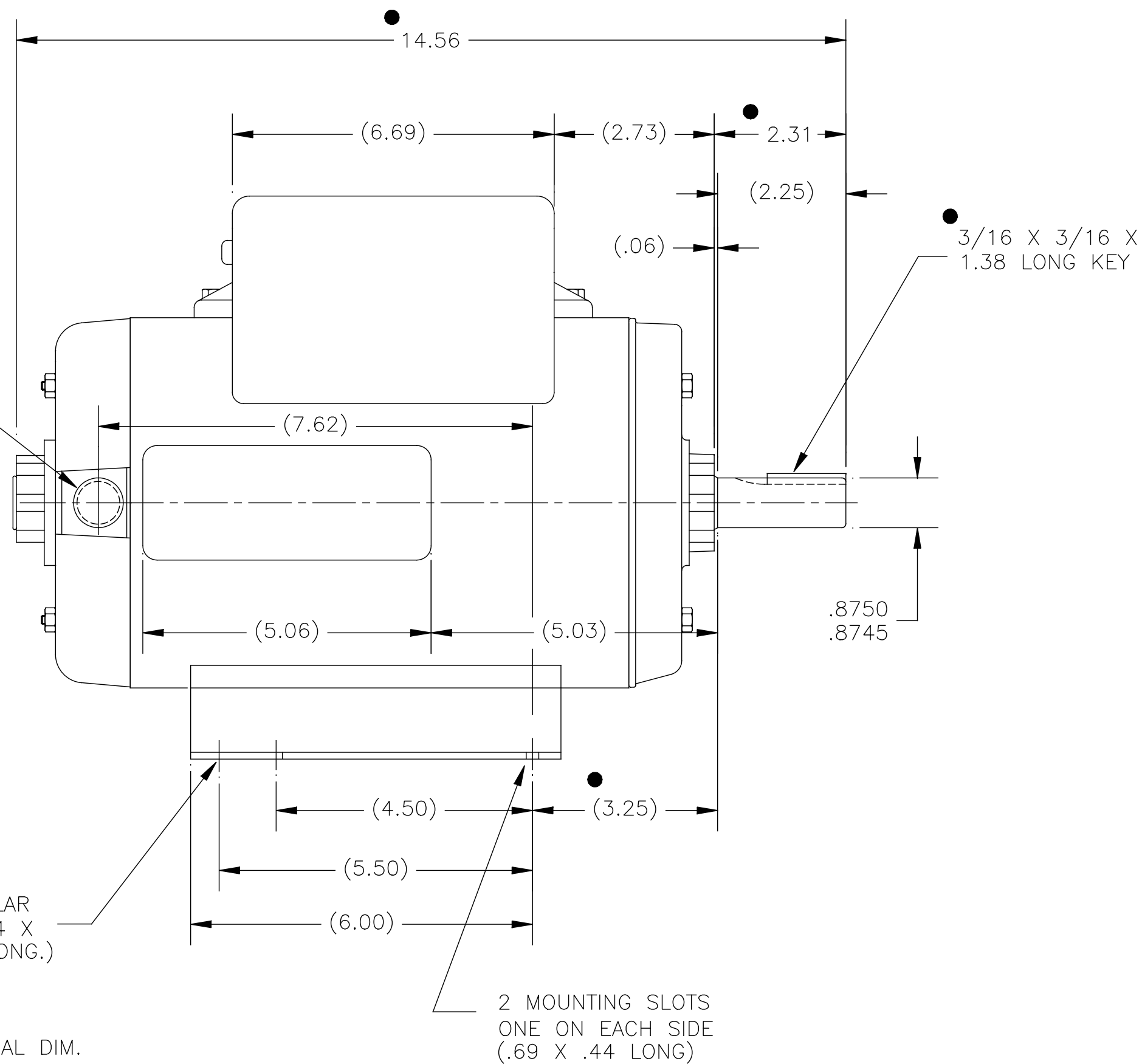
ALL DIMENSIONS SHOWN IN PARENTHESIS
 ARE REFERENCE DIMENSIONS. ALL
 OTHER DIMENSIONS ARE TOLERANCED PER
 THE FOLLOWING CHART UNLESS
 OTHERWISE SPECIFIED.

"C" DIM. = $\pm .055$
 SHAFT EXT. = $\pm .034$
 LEAD LENGTHS = ± 1.00
 EXTENDED
 THRU-BOLTS = $\pm .050$
 ANGULAR DIM. = $\pm 2\ \text{DEG}$



2 SLOTS PERPENDICULAR
 TO FRONT SLOTS (.44 X
 1.44 LONG.)

● = CRITICAL DIM.



DRAWING REVISION H	REVISION BY A.BAUGHMAN	DATE 11-04-2016	TOLERANCES UNLESS OTHERWISE SPECIFIED	DRAWN BY: TD	Regal Beloit America, Inc.
ECO ECO-0111838	APPROVED BY A.BAUGHMAN	DATE 11-04-2016	DEC. INCH mm ANGLE .XX ± 0.1 [± 2.5] $\pm 0.5^\circ$.XX ± 0.02 [± 0.51] .XXX ± 0.005 [± 0.127] .XXXX ± 0.0005 [± 0.0127]	DATE: 06-10-1993	
ECO DESCRIPTION UPDATED TO NEW REGAL TITLEBLOCK			REMOVE BURRS & BREAK SHARP EDGES .003/.015 (.076/.381) X 45° CORNER FILLETS R.02 [.51]	APPROVED BY: ST	DESCRIPTION MODEL-CFHP-56FR OUTLINE
<small>COPYRIGHT REGAL BELOIT AMERICA, INC. ALL RIGHTS RESERVED. PROPRIETARY AND CONFIDENTIAL INFORMATION - THIS DOCUMENT IS THE PROPERTY OF REGAL BELOIT AMERICA, INC. (OWNER) AND CONTAINS OWNER'S PROPRIETARY INFORMATION. ANY PERSON, CORPORATION OR OTHER FIRM RECEIVING IT IS DEEMED, BY RECEIVING IT, TO AGREE THAT IT, AND/OR ANY PART OF IT, SHALL NOT BE DISCLOSED TO ANY PERSON, CORPORATION OR OTHER ENTITY, DUPLICATED, AND/OR USED, EXCEPT AS EXPRESSLY APPROVED IN WRITING IN ADVANCE BY OWNER. THIS DOCUMENT SHALL BE RETURNED TO OWNER UPON REQUEST. IT MAY BE SUBJECT TO CERTAIN RESTRICTIONS UNDER APPLICABLE EXPORT CONTROL LAWS AND REGULATIONS.</small>			MACHINED SURFACES $125\ \mu\text{m}\ 3.2\ \mu\text{m}$ INCH mm	DATE:	MATERIAL
			THIRD ANGLE PROJECTION	REFERENCE	PROCESS/FINISH
			SIZE DWG NO C 183605		SHEET 1