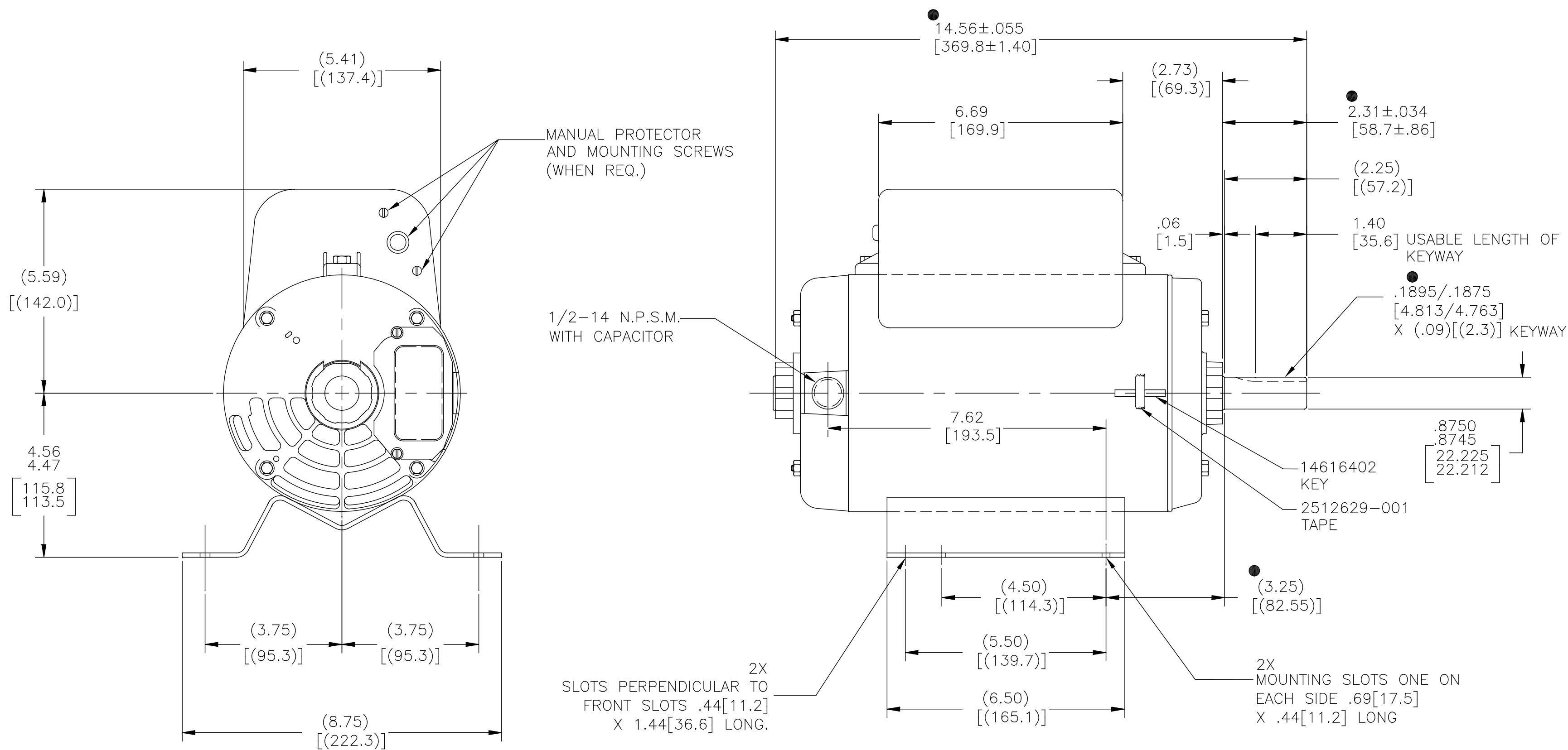


NOTE:  
 TERMINAL BOX TO BE LOCATED  
 AT 12:00 WITHIN ±1.5°

ALL DIMENSIONS SHOWN IN PARENTHESIS ARE REFERENCE  
 DIMENSIONS.



● = CRITICAL DIM

DRAWING REVISION J	REVISION BY A.BAUGHMAN	DATE 11-04-2016	TOLERANCES UNLESS OTHERWISE SPECIFIED	DRAWN BY: W.CORTEZ	Regal Beloit America, Inc.
ECO ECO-0111838	APPROVED BY A.BAUGHMAN	DATE 11-04-2016	DEC. INCH mm ANGLE .X ±0.1 [±2.5] ±0.5° .XX ±0.02 [±0.51] .XXX ±0.005 [±0.127] .XXXX ±0.0005 [±0.0127]	DATE: 06-08-2012	
ECO DESCRIPTION UPDATED TO NEW REGAL TITLEBLOCK			REMOVE BURRS & BREAK SHARP EDGES .003/.015 [0.076/.381] X 45° CORNER FILLETS R.02 [51]	APPROVED BY: J. DE LUNA	DESCRIPTION MODEL-CFHP-56FR OUTLINE
<small>COPYRIGHT REGAL BELOIT AMERICA, INC. ALL RIGHTS RESERVED.                  PROPRIETARY AND CONFIDENTIAL INFORMATION - THIS DOCUMENT IS THE PROPERTY OF                  REGAL BELOIT AMERICA, INC. (OWNER) AND CONTAINS OWNER'S PROPRIETARY                  INFORMATION. ANY PERSON, CORPORATION OR OTHER FIRM RECEIVING IT IS DEEMED,                  BY RECEIVING IT, TO AGREE THAT IT, AND/OR ANY PART OF IT, SHALL NOT BE DISCLOSED                  TO ANY PERSON, CORPORATION OR OTHER ENTITY, DUPLICATED, AND/OR USED, EXCEPT                  AS EXPRESSLY APPROVED IN WRITING IN ADVANCE BY OWNER. THIS DOCUMENT SHALL                  BE RETURNED TO OWNER UPON REQUEST. IT MAY BE SUBJECT TO CERTAIN                  RESTRICTIONS UNDER APPLICABLE EXPORT CONTROL LAWS AND REGULATIONS.</small>			MACHINED SURFACES 125/INCH 3.2/mm	DATE: 06-08-2012	MATERIAL -
			THIRD ANGLE PROJECTION	REFERENCE -	PROCESS/FINISH -
			SIZE DWG NO C B180		SHEET 1