

4

3

2

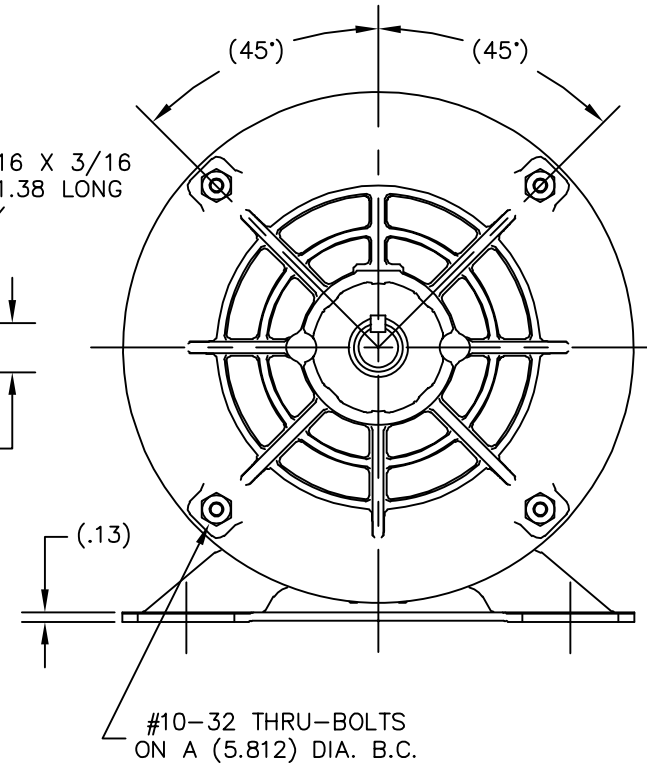
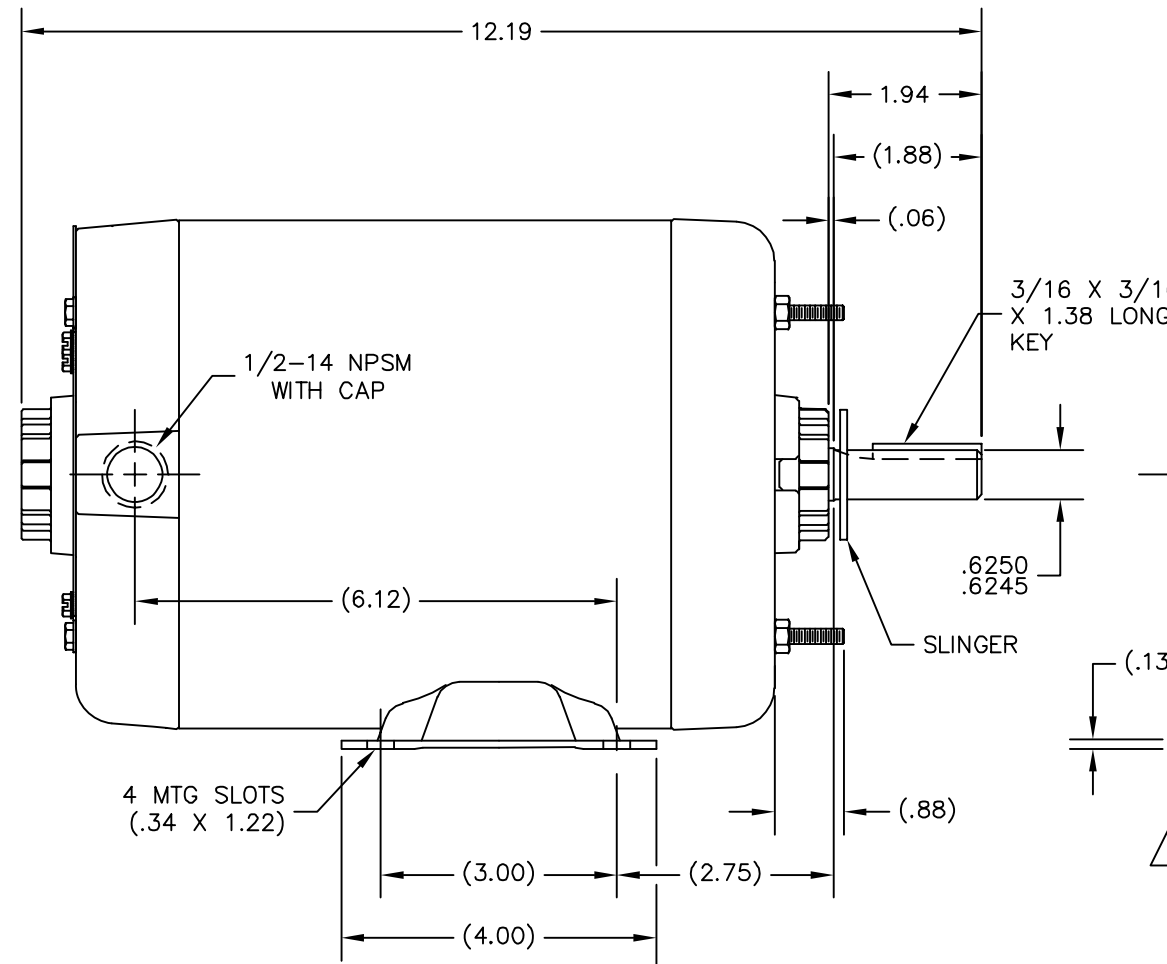
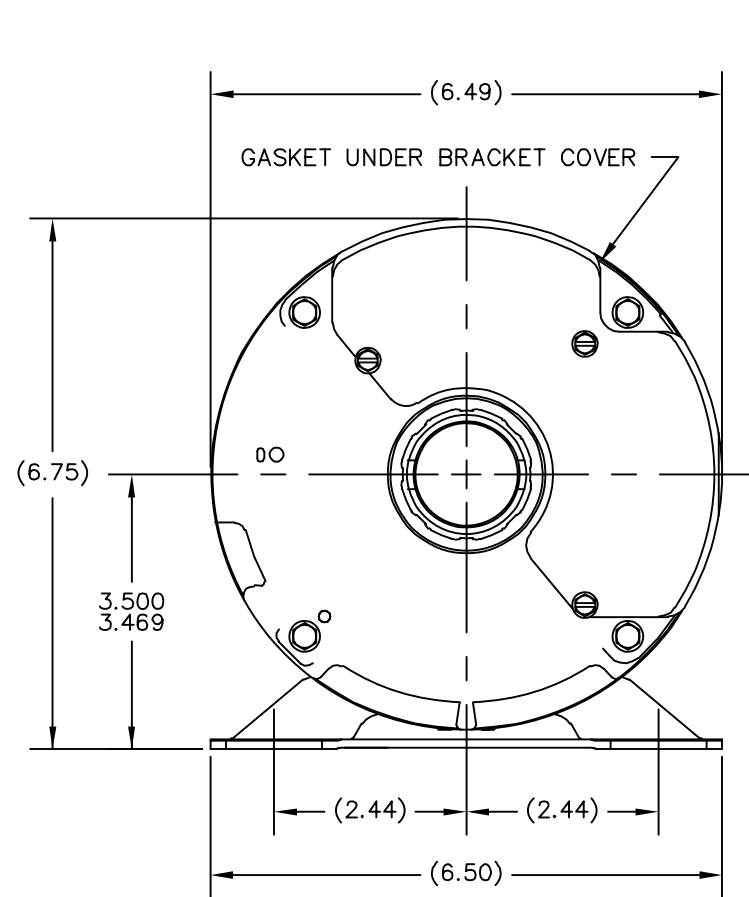
1

REV	ECO	REV BY	DATE	APPD	DATE
C	0026448	T.CUI	05-30-2012	B.SHEN	05-30-2012

MODEL NO.	PERFORMANCE CURVE NO.
H1040	C26090

ALL DIMENSIONS SHOWN IN PARENTHESIS ARE REFERENCE DIMENSIONS. ALL OTHER DIMENSIONS ARE TOLERANCED PER THE FOLLOWING CHART UNLESS OTHERWISE SPECIFIED.

OVERALL DIM. = +/- .055  
 SHAFT EXT. = +/- .034  
 LEAD LENGTHS = +/- 1.00  
 EXTENDED THRU-BOLTS = +/- .050  
 ANGULAR DIM. = +/- 2'



GEOMETRIC CHARACTERISTICS & SYMBOLS

- ▭ FLATNESS
- STRAIGHTNESS
- ∠ ANGULARITY
- ⊥ PERPENDICULARITY (SQUARENESS)
- // PARALLELISM
- ROUNDNESS (CIRCULARITY)
- ⊘ CYLINDRICITY
- △ PROFILE OF ANY SURFACE
- ∩ PROFILE OF ANY LINE
- ↗ RUNOUT
- ⊕ TRUE POSITION
- ◎ CONCENTRICITY
- ≡ SYMMETRY

ASME Y14.5M 1994

UNLESS OTHERWISE SPECIFIED DIM. TOLERANCES ARE AS FOLLOWS:

INCH	±.1	±.02	±.005	±.0005
mm	±0.5	±0.13	±0.013	

ANG. ±.50 DEG  
 REMOVE BURRS & BREAK SHARP EDGES:  
 INCH .003-.015 mm 0.1-0.4  
 CORNER FILLETS TO:  
 INCH .020 mm 0.5  
 MACHINE SURFACES:  
 INCH 125 mm 3.2

METRIC DIMS. SHOWN IN [BRACKETS]

DR BY: dholt 12-07-2004

APPD: jshroa 12-07-2004

THIRD ANGLE PROJECTION

EDS DATE 11-11-2011  
 FORMAT REV H

CONFIDENTIAL: THIS DRAWING AND ITS INFORMATION ARE THE EXCLUSIVE AND CONFIDENTIAL PROPERTY OF REGAL-BELOIT CORPORATION AND ARE NOT TO BE DISCLOSED, DUPLICATED, DISTRIBUTED OR OTHERWISE USED WITHOUT THE WRITTEN CONSENT OF REGAL-BELOIT CORPORATION. -ALL RIGHTS RESERVED.

**REGAL REGAL-BELOIT CORPORATION**

DESCRIPTION  
 OUTLINE  
 0056 BB ENCL

SIZE C DWG NO 18960501-001

SCALE NONE SHEET 1

4

3

2

1

4

3

2

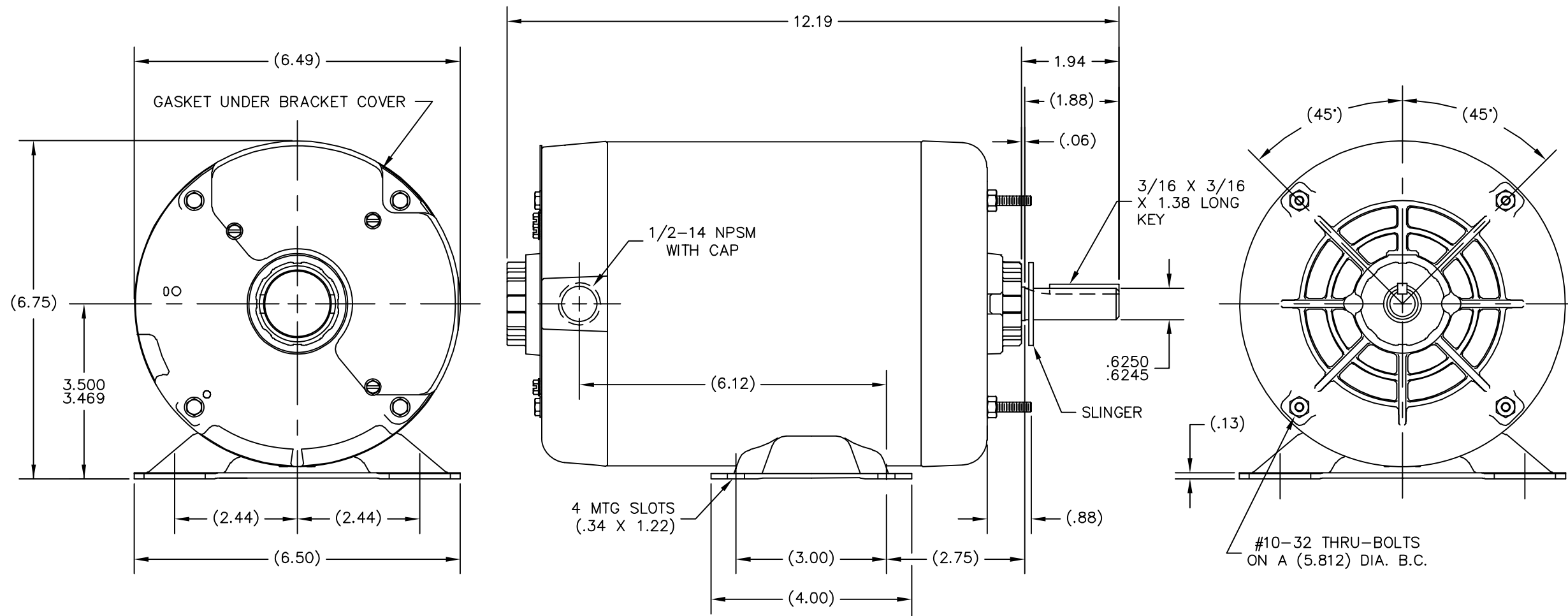
1

REVISION:	ECO	REVISADO POR:	FECHA:	APROBADO POR:	FECHA:
C	0026448	T.CUI	05-30-2012	B.SHEN	05-30-2012

MODEL NO.	PERFORMANCE CURVE NO.
H1040	C26090

ALL DIMENSIONS SHOWN IN PARENTHESIS ARE REFERENCE DIMENSIONS. ALL OTHER DIMENSIONS ARE TOLERANCED PER THE FOLLOWING CHART UNLESS OTHERWISE SPECIFIED.

OVERALL DIM. = +/- .055  
 SHAFT EXT. = +/- .034  
 LEAD LENGTHS = +/- 1.00  
 EXTENDED THRU-BOLTS = +/- .050  
 ANGULAR DIM. = +/- 2'



CARACTERISTICAS DE GEOMETRIA Y SIMBOLOS

- PLANICIDAD
- RECTITUD
- ∠ ANGULARIDAD
- ⊥ PERPENDICULARIDAD (A ESCUADRA)
- // PARALELISMO
- REDONDEZ (CIRCULARIDAD)
- ∅ CILINDRICIDAD
- △ PERFIL DE CUALQUIER SUPERFICIE
- ∧ PERFIL DE CUALQUIER LINEA
- ↑ VARIACION
- ⊕ POSICION REAL
- ◎ CONCENTRICIDAD
- = SIMETRIA

ASME Y14.5M 1994

A MENOS QUE SE ESPECIFIQUE DE OTRA MANERA, LAS TOLERANCIAS DE LAS DIMS; SON LAS SIGUIENTES:

PULG	±.1	±.02	±.005	±.0005
mm	±0.5	±0.13	±0.013	

ANG. ± 50 GRADOS  
 ELIMINAR REBABAS Y ORILLAS FILOSAS DEL BORDE.  
 PULG .003-.015 mm 0.1-0.4  
 FILETEAR ESQUINA: PULG .020 mm 0.5  
 MAQUINAR SUPERFICIES  
 PULG 125 mm 3.2

DIMS METRICAS MOSTRADAS [PARENTESIS]

DIBUJADO POR:	dholt	12-07-2004
APROBADO POR:	jshroa	12-07-2004
TERCER ANGULO DE PROYECCION	⊕	FECHA EDS: 11-11-2011 REV. FORMATO: H

CONFIDENCIAL: ESTE DIBUJO Y SU INFORMACION SON PROPIEDAD DE USO EXCLUSIVO Y CONFIDENCIAL DE REGAL-BELOIT CORPORATION. Y NO DEBERAN SER REVELADOS, DUPLICADOS, DISTRIBUIDOS O USARSE DE OTRA MANERA SIN EL CONSENTIMIENTO ESCRITO DE REGAL-BELOIT CORPORATION. -TODOS LOS DERECHOS RESERVADOS.

<b>REGAL REGAL-BELOIT CORPORATION</b>	
DESCRIPCION: OUTLINE 0056 BB ENCL	
TAMAÑO: C	NUMERO DE DIBUJO: 18960501-001
ESCALA: NONE	HOJA: 1

4

3

2

1

4

3

2

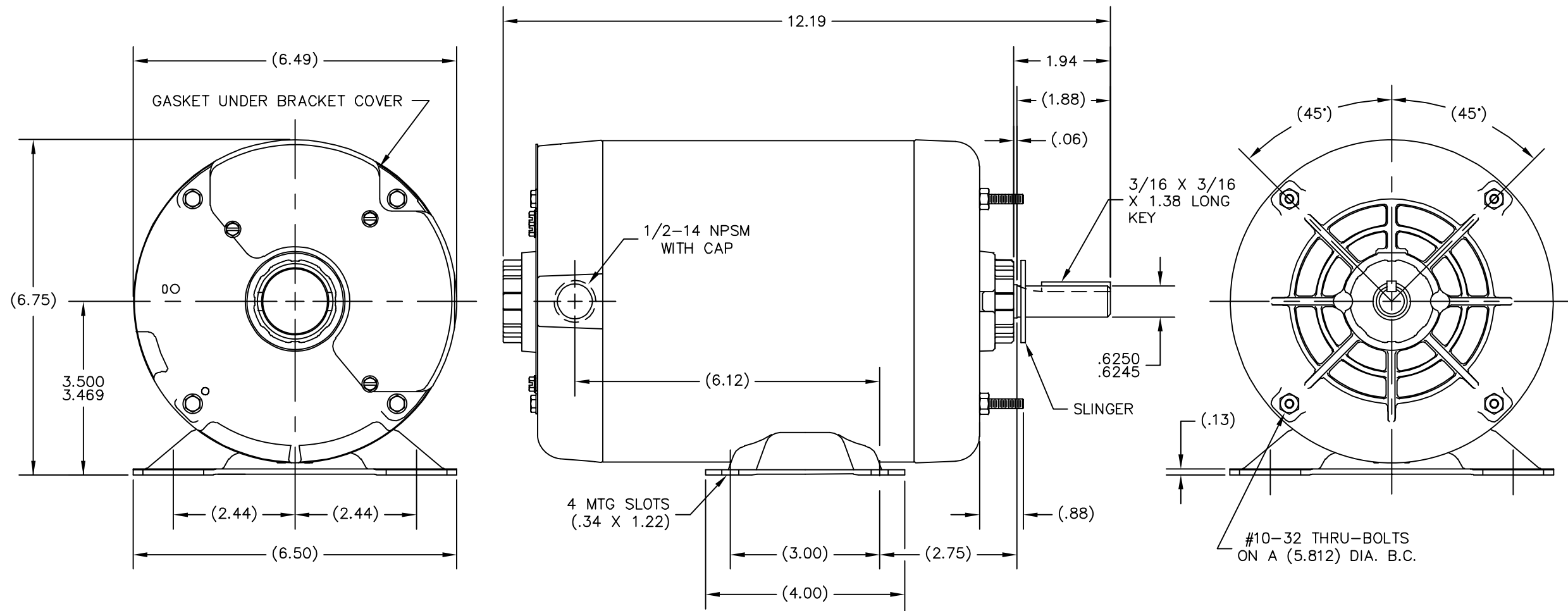
1

版本	ECO	编制	日期	批准	日期
C	0026448	T.CUI	05-30-2012	B.SHEN	05-30-2012

MODEL NO.	PERFORMANCE CURVE NO.
H1040	C26090

ALL DIMENSIONS SHOWN IN PARENTHESIS ARE REFERENCE DIMENSIONS. ALL OTHER DIMENSIONS ARE TOLERANCED PER THE FOLLOWING CHART UNLESS OTHERWISE SPECIFIED.

OVERALL DIM. = +/- .055  
 SHAFT EXT. = +/- .034  
 LEAD LENGTHS = +/- 1.00  
 EXTENDED THRU-BOLTS = +/- .050  
 ANGULAR DIM. = +/- 2'



形位公差	除另有注明
□ 平面度	尺寸公差如下:
— 直线度	英寸 X XX XXX XXXX
∠ 倾斜度	英寸 ±.1 ±.02 ±.005 ±.0005
⊥ 垂直度	毫米 ±0.5 ±0.13 ±0.013
// 平行度	角度 ±.50 度
○ 圆度	清理毛刺和尖棱
⊙ 圆柱度	英寸 .003-.015 毫米 0.1-0.4
△ 面轮廓度	内圆角
∩ 线轮廓度	英寸 .020 毫米 0.5
↗ 圆跳动	表面粗糙度
⊕ 位置度	英制 125 米制 3.2
◎ 同轴度	米制尺寸显示在 [ ]
≡ 对称度	

ASME Y14.5M 1994

绘图:	dholt	12-07-2004
批准:	jshroa	12-07-2004
第三角投影	⊕	图纸格式发布日期 11-11-2011 图纸格式版本 H
机密: 本图纸及相关信息所有权归REGAL-BELOIT CORPORATION 未经REGAL-BELOIT CORPORATION书面授权, 不得泄露、 复制、传播或作其他用途。一版权所有		

名称		REGAL REGAL-BELOIT CORPORATION
图幅		C
图号		0056 BB ENCL
比例		NONE
页号		1

名称	REGAL REGAL-BELOIT CORPORATION
图幅	C
图号	0056 BB ENCL
比例	NONE
页号	1

4

3

2

1