

GENERAL INFORMATION:

SHAFT RUNOUT: .001 [.03] T.I.R. PER INCH LENGTH OF EXTENSION

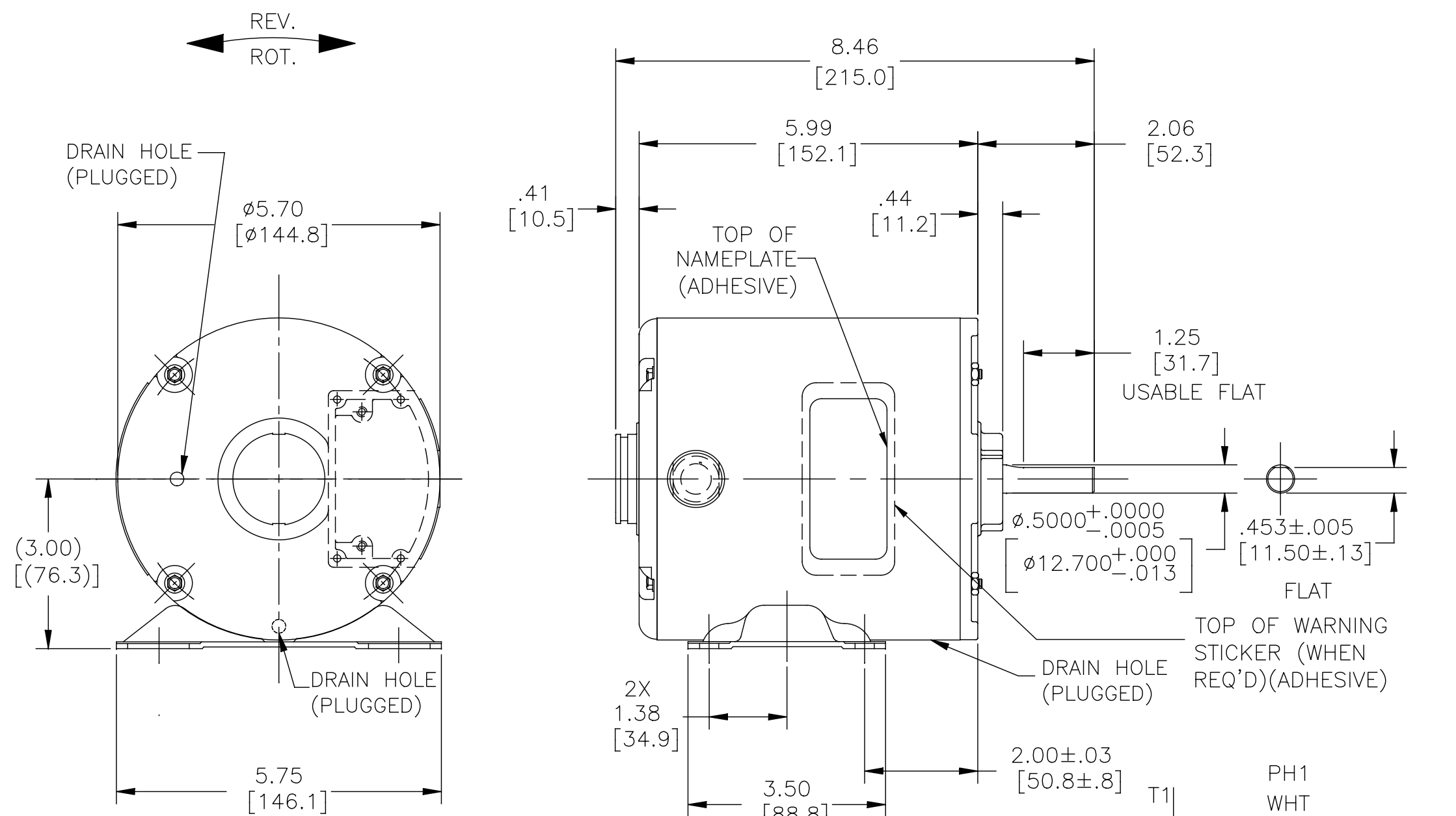
BEARINGS: BALL

MOUNTING POSITION: ALL ANGLE

ELECTRICAL DATA:

OVERLOAD PROTECTOR:

LEADS: NO. 18 GA., .06 [1.5] THK. PVC 105°C INSUL.



RED(T9)	5.0/7.0[127/178]	.50[12.7] SKIN
RED(T6)	5.0/7.0[127/178]	.50[12.7] SKIN
RED(T3)	5.0/7.0[127/178]	.50[12.7] SKIN
BLUE(T8)	5.0/7.0[127/178]	.50[12.7] SKIN
BLUE(T5)	5.0/7.0[127/178]	.50[12.7] SKIN
BLUE(T2)	5.0/7.0[127/178]	.50[12.7] SKIN
WHITE(T7)	5.0/7.0[127/178]	.50[12.7] SKIN
WHITE(T4)	5.0/7.0[127/178]	.50[12.7] SKIN
WHITE(T1)	5.0/7.0[127/178]	.50[12.7] SKIN
COLOR	LENGTH	TERMINAL OR STRIP LENGTH

REGAL-BELOIT CORPORATION (RBC) PROVIDES TECHNICAL ASSISTANCE TO OUR CUSTOMERS IN SEVERAL AREAS. SINCE RBC DOES NOT RECEIVE ALL DATA CONCERNING THE USE AND APPLICATION OF THE MOTOR, THE SUITABILITY OF THE MOTOR FOR THE APPLICATION MUST BE DETERMINED BY THE CUSTOMER.

DIMENSIONS WITHOUT TOLERANCES ARE FOR REFERENCE ONLY.

MAIN FRAME - OLE	ENCLOSED
END FRAME - OLE	ENCLOSED
MAIN FRAME - LE	ENCLOSED
END FRAME - LE	ENCLOSED

CUSTOMER DISTRIBUTION SERVICES

NAMEPLATE DATA:	EXTERNAL CONNECTION DIAGRAM
MODEL NO.: P48A88A01 CUST. P/N: H201A HP: 1/4 ROT.: REV. RPM: 1725/1425 TYPE: SC FRAME: 48Y VOLTS: 208-230/460 PH: 3 AMPS: 1.4-1.5/0.75 HZ: 60/50 INS.: B AMB.: 40 °C DUTY: AIR OVER CAP.: --- CODE: N ENCL: ENCLOSED	<p>HIGH VOLTAGE</p> <p>④-⑦ ① L1 ⑤-⑧ ② L2 ⑥-⑨ ③ L3</p> <p>LOW VOLTAGE</p> <p>④ ⑦-① L1 ⑤ ⑧-② L2 ⑥ ⑨-③ L3</p> <p>TO REVERSE INTERCHANGE ANY 2 LINE LEADS 614131-363</p>

PERFORMANCE CURVE NO.	TORQUE @ 1725 RPM (25°C)	APPROVED SAMPLE	UL COMPONENT FILE #	CCN #	CSA FILE #	CLASS #
C32711	20.5 OZ. FT.	0604271B				

DRAWING REVISION D	REVISION BY J. RUPERT	DATE 04-04-2016
ECO-0099733	APPROVED BY J. RUPERT	DATE 04-04-2016
ECO DESCRIPTION CHANGED HZ AND DUTY PER ECO		
<small>COPYRIGHT REGAL-BELOIT AMERICA, INC. ALL RIGHTS RESERVED. PROPRIETARY AND CONFIDENTIAL INFORMATION - THIS DOCUMENT IS THE PROPERTY OF REGAL-BELOIT AMERICA, INC. (OWNER) AND CONTAINS OWNER'S PROPRIETARY INFORMATION. ANY PERSON, CORPORATION OR OTHER FIRM RECEIVING IT IS DEEMED, BY RECEIVING IT, TO AGREE THAT IT, AND/OR ANY PART OF IT, SHALL NOT BE DISCLOSED TO ANY PERSON, CORPORATION OR OTHER ENTITY, DUPLICATED, AND/OR USED, EXCEPT AS EXPRESSLY APPROVED IN WRITING IN ADVANCE BY OWNER. THIS DOCUMENT SHALL BE RETURNED TO OWNER UPON REQUEST. IT MAY BE SUBJECT TO CERTAIN RESTRICTIONS UNDER APPLICABLE EXPORT CONTROL LAWS AND REGULATIONS.</small>		

DRAWN BY: CADDIE ZHOU	Regal Beloit America, Inc.
DATE: 06-12-2007	
APPROVED BY:	DESCRIPTION: MODEL-RFHP-48FR OUTLINE
DATE:	MATERIAL:
PROCESS/FINISH:	SIZE DWG NO: H201A
THIRD ANGLE PROJECTION	SHEET 1