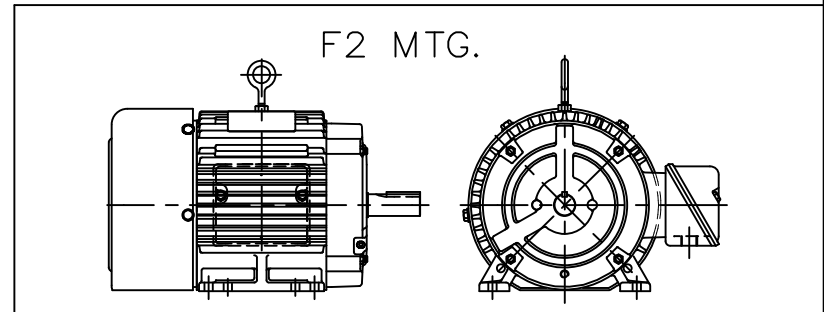


BOX CAN BE MOUNTED ON OPPOSITE SIDE BY REMOVING BRACKETS & TURNING FRAME 180°.

BOX CAN BE ROTATED IN 90° STEPS.



DASH	FR.	C	B	2F	BS
575	182T	15.19	5.50	4.50	2.25
675	184T	16.19	6.50	5.50	2.75
800	184T	17.44	7.75	5.50	3.38

NO.	REVISION	BY & DATE	CHK	ANG	TOLERANCES UNLESS SPECIFIED
13	CHG COND. BOX DIM, WAS 5.00 NOW 3.75 ECN 18821	TF 01/31/2011	EMH		
12	REDRAWN IN AUTOCAD	TAT 06-29-2004	ML	DEC.	INCHES
11	UPDATED MOUNTING HOLE NOTE CN 26000-581	DRS 01-02-2002	ML	.X	±.1
10	ADDED 182 FR. MAY HAV... NOTE CN 26000-581	MRB 07-02-1998		.XX	±.03
9	ADDED 4 MOUNTING HOLES	MJD 06-09-1998		.XXX	±.005
8	ADDED NEMA "O" DIMENSION	MRB 09-12-1996		.XXXX	±.0005
			RFP		
			DIST	LB	

		DRAWN RM 01-08-1993	
		CHK ML 01-13-1993	APPD GK 01-13-1993
TITLE OUTLINE		SCALE 1=4	
180 FR. - BB - TS - TEFC		REF	
MAT'L.		FMF	
FINISH		PREV	
CAD FILE ss63661	SIZE A	DRAWING NO. SS63661	PAGE OF 13

THIS DRAWING IN DESIGN AND DETAIL IS OUR PROPERTY AND MUST NOT BE USED EXCEPT IN CONNECTION WITH OUR WORK ALL RIGHTS OF DESIGN AND INVENTION ARE RESERVED THIS IS AN ELECTRONICALLY GENERATED DOCUMENT - DO NOT SCALE THIS PRINT