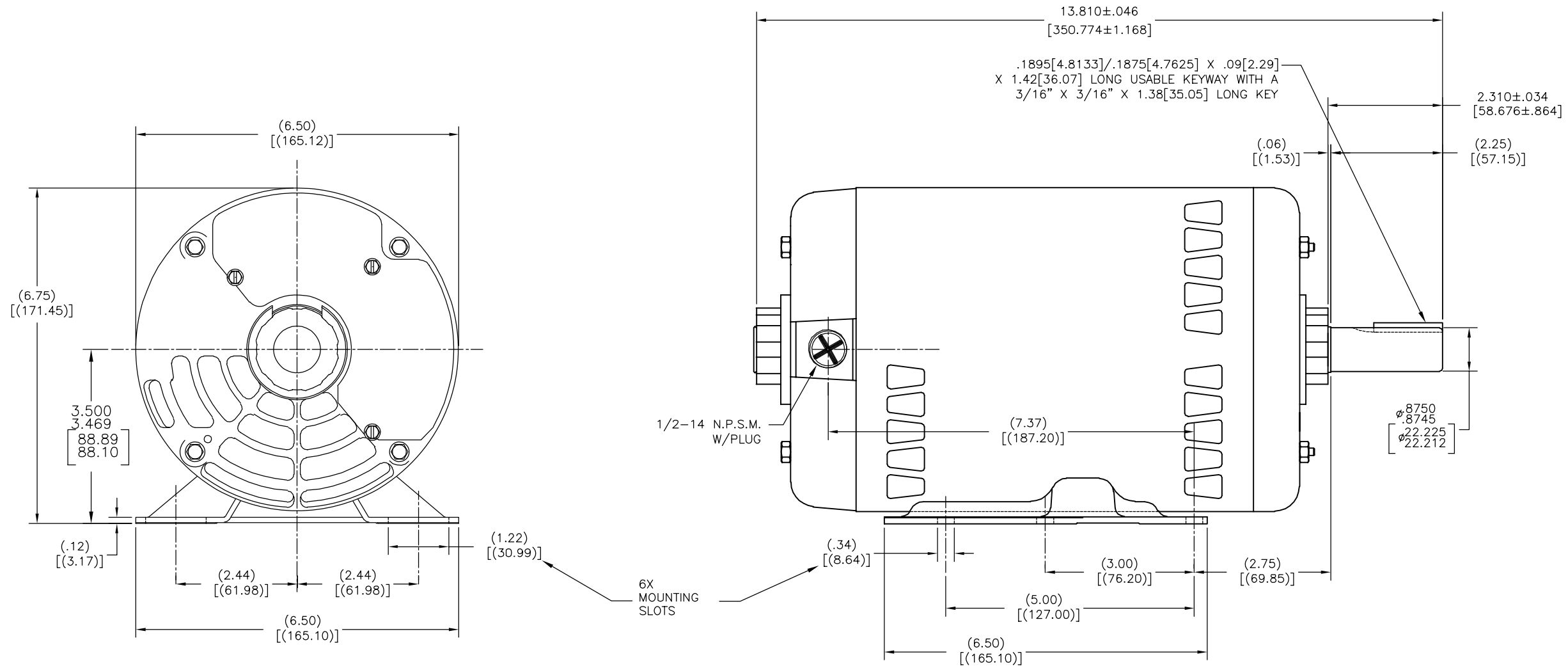


MODEL	FRAME	TYPE
H757	P56HZ	SC

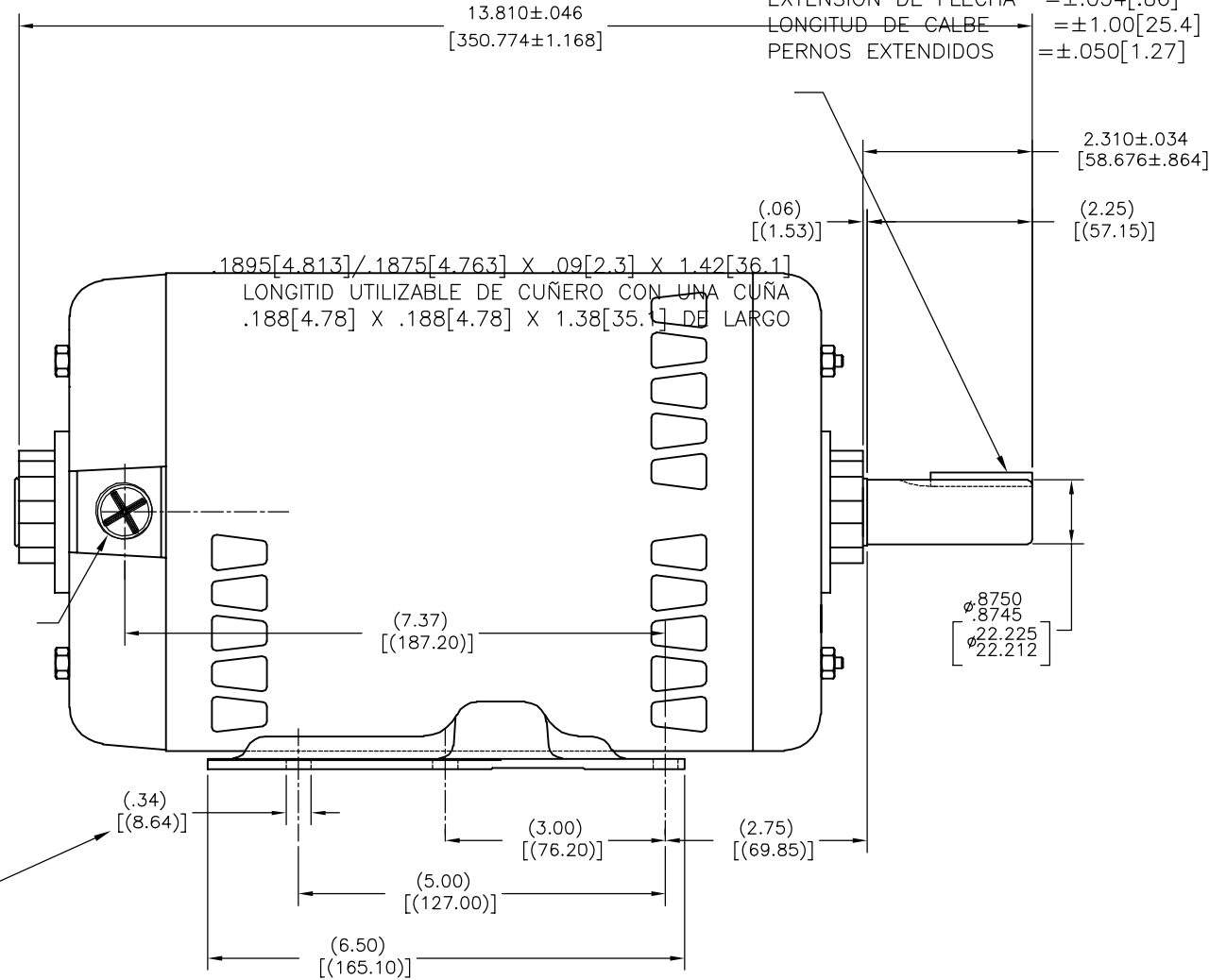
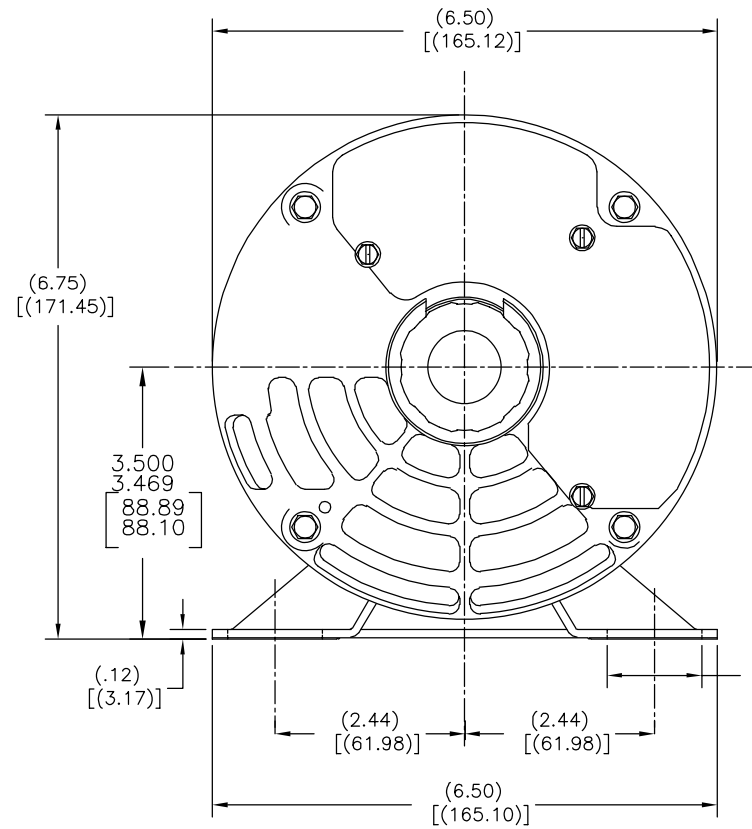


DRAWING REVISION	REVISION BY	DATE	TOLERANCES UNLESS OTHERWISE SPECIFIED	DRAWN BY:	Regal Beloit America, Inc.
A	J. COX	11-20-2013	DEC. INCH mm ANGLE	PLM	
ECO	APPROVED BY	DATE	.X ±0.1 [±2.5] ±0.5°	DATE:	06-10-1992
ECO-0040992	C. McREYNOLDS	11-20-2013	.XX ±0.02 [±0.51]	APPROVED BY:	MLC
CREATE INDIVIDUAL OUTLINE			.XXX ±0.005 [±0.127]	DATE:	06-10-1992
			.XXXX ±0.0005 [±0.0127]	PROCESS/FINISH	
COPYRIGHT REGAL BELOIT AMERICA, INC. ALL RIGHTS RESERVED. PROPRIETARY AND CONFIDENTIAL INFORMATION - THIS DOCUMENT IS THE PROPERTY OF REGAL BELOIT AMERICA, INC. (OWNER) AND CONTAINS OWNER'S PROPRIETARY INFORMATION. ANY PERSON, CORPORATION OR OTHER FIRM RECEIVING IT IS DEEMED, BY RECEIVING IT, TO AGREE THAT IT, AND/OR ANY PART OF IT, SHALL NOT BE DISCLOSED TO ANY PERSON, CORPORATION OR OTHER ENTITY, DUPLICATED, AND/OR USED, EXCEPT AS EXPRESSLY APPROVED IN WRITING IN ADVANCE BY OWNER. THIS DOCUMENT SHALL BE RETURNED TO OWNER UPON REQUEST. IT MAY BE SUBJECT TO CERTAIN RESTRICTIONS UNDER APPLICABLE EXPORT CONTROL LAWS AND REGULATIONS.			REMOVE BURRS & BREAK SHARP EDGES .003/.015 [0.076/.381]	DESCRIPTION	MODEL-CFHP-56FR OUTLINE
			CORNER/FILLET .02 [0.51]	MATERIAL	
			MACHINED SURFACES 125 INCH mm 3.2 mm SHOWN IN [BRACKETS]	SIZE DWG NO	H757
				THIRD ANGLE PROJECTION	SHEET
					1

H757RUP06HZ SC CARCASA TIPO

NOTAS:
 1. TODAS LAS DIMENSIONES MOSTRADAS EN PARENTESIS SON DIMENSIONES DE REFERENCIA. TODAS LAS OTRAS DIMENSIONES TIENEN TOLERANCIA SEGUN LA SIGUIENTE TABLA A MENOS QUE SE ESPECIFIQUE OTRA COSA.

DIMENSION "C" = ±.046[1.17]
 EXTENSION DE FLECHA = ±.034[.86]
 LONGITUD DE CALBE = ±1.00[25.4]
 PERNOS EXTENDIDOS = ±.050[1.27]



1/2" = 14 N.P.S.M. CON TAPA

6X RANURAS DE MONTAJE

DRAWING REVISION A	REVISION BY J. COX	DATE 11-20-2013	TOLERANCES UNLESS OTHERWISE SPECIFIED DEC. INCH mm ANGLE .X ±0.1 [±2.5] ±0.5° .XX ±0.02 [±0.51] .XXX ±0.005 [±0.127] .XXXX ±0.0005 [±0.0127]	DRAWN BY: PLM	Regal Beloit America, Inc.
ECO ECO-0040992	APPROVED BY C. McREYNOLDS	DATE 11-20-2013	REMOVE BURRS & BREAK SHARP EDGES .003/.015 [0.076/.381] CORNER/FILLETS .02 [0.51] MACHINED SURFACES .125 [3.18] INCH / 3.2 mm SHOWN IN [BRACKETS]	DATE: 06-10-1992	
CREATE INDIVIDUAL OUTLINE				APPROVED BY: MLC	MATERIAL
<small>COPYRIGHT REGAL BELOIT AMERICA, INC. ALL RIGHTS RESERVED. PROPRIETARY AND CONFIDENTIAL INFORMATION - THIS DOCUMENT IS THE PROPERTY OF REGAL BELOIT AMERICA, INC. (OWNER) AND CONTAINS OWNER'S PROPRIETARY INFORMATION. ANY PERSON, CORPORATION OR OTHER FIRM RECEIVING IT IS DEEMED, BY RECEIVING IT, TO AGREE THAT IT, AND/OR ANY PART OF IT, SHALL NOT BE DISCLOSED TO ANY PERSON, CORPORATION OR OTHER ENTITY, DUPLICATED, AND/OR USED, EXCEPT AS EXPRESSLY APPROVED IN WRITING IN ADVANCE BY OWNER. THIS DOCUMENT SHALL BE RETURNED TO OWNER UPON REQUEST. IT MAY BE SUBJECT TO CERTAIN RESTRICTIONS UNDER APPLICABLE EXPORT CONTROL LAWS AND REGULATIONS.</small>				DATE: 06-10-1992	SIZE DWG NO C H757
				PROCESS/FINISH	SHEET 1