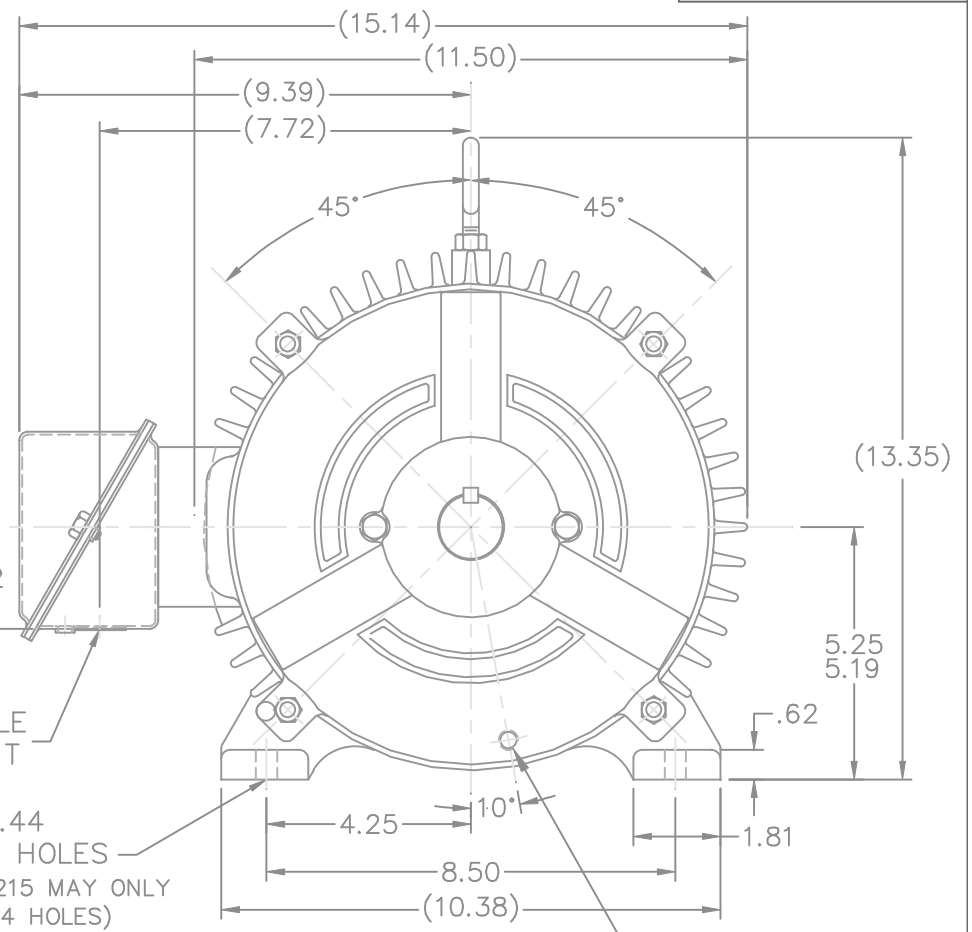


.31x.31
x2.38 KEY

ø1.3750
ø1.3745

ø 1.09 LEAD HOLE
ø 1.34 KNOCKOUT

ø.44
8 HOLES
(213/215 MAY ONLY
HAVE 4 HOLES)



DRAIN HOLE
WHEN REQUIRED

NOTES:
BOX CAN BE ROTATED IN 90° STEPS.
BOX CAN BE MOUNTED ON OPPOSITE SIDE BY
REMOVING BRACKETS AND TURNING FRAME 180°.

DASH	FRAME	B	2F	2FF	2FFF	BS	C
725	213T	7.00	5.50	-	-	2.75	15.69
875	215T	8.50	7.00	-	-	3.50	17.19
875	213/5T	8.50	7.00	5.50	5.50	3.50	17.19

NO.	REVISION	BY & DATE	CHK	ANG	TOLERANCES UNLESS SPECIFIED
6	UPDATED DRAWING	TJW 04/27/2007			
5	ADDED "DRAIN HOLE WHEN REQ'D"	TAT 10-18-2004	ML	DEC.	INCHES
4	REDRAWN IN AUTOCAD	TAT 06-29-2004	ML	.X	±.1
3	UPDATED C' BOX GEOMETRY	CN 28425 DRS 01-31-2000		.XX	±.03
2	RE-ISSUE FOR LEB.	CN 24000-792 MH 08-27-1997		.XXX	±.005
1	NEW DRAWING	MRB 05-12-1995		.XXXX	±.0005

10-16-2001

TITLE OUTLINE
213/215T FR. - TENV

MAT'L.
FINISH

DRAWN	MRB 05-11-1995
CHK	ML 05-12-1997
APPD	GK 05-12-1997
SCALE	1=4
REF	
FMF	
PREV	

THIS DRAWING IN DESIGN AND DETAIL IS OUR PROPERTY AND MUST NOT BE USED EXCEPT IN CONNECTION WITH OUR WORK ALL RIGHTS OF DESIGN AND INVENTION ARE RESERVED THIS IS AN ELECTRONICALLY GENERATED DOCUMENT - DO NOT SCALE THIS PRINT		RFP	CAD FILE	ss86420	SIZE	DRAWING NO.	PAGE	OF	REV.
		DIST	LB		A	SS86420			6