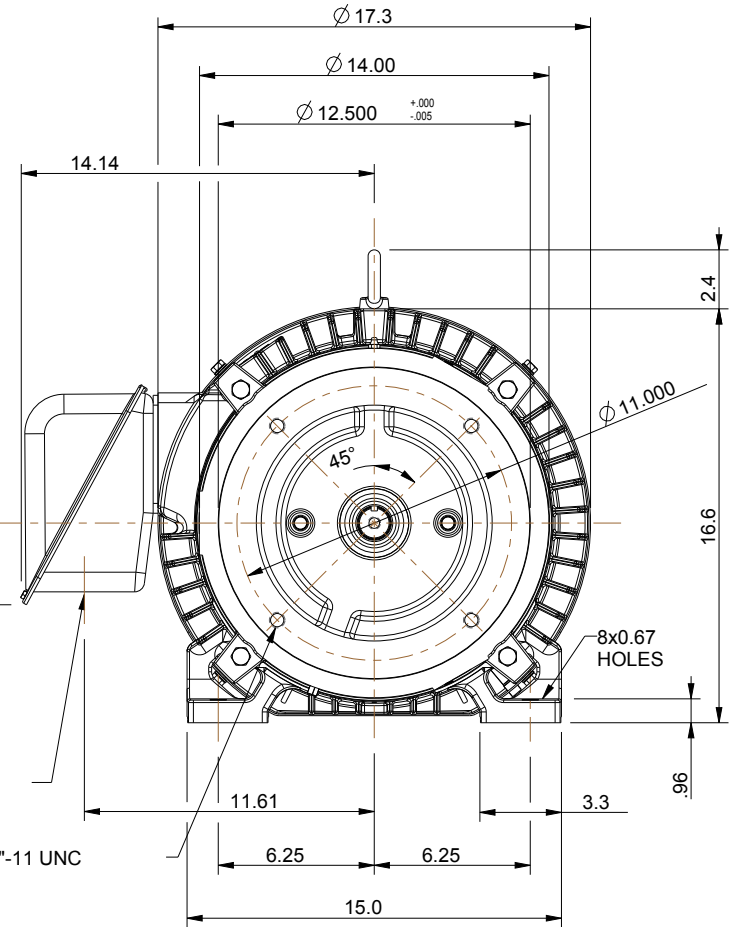
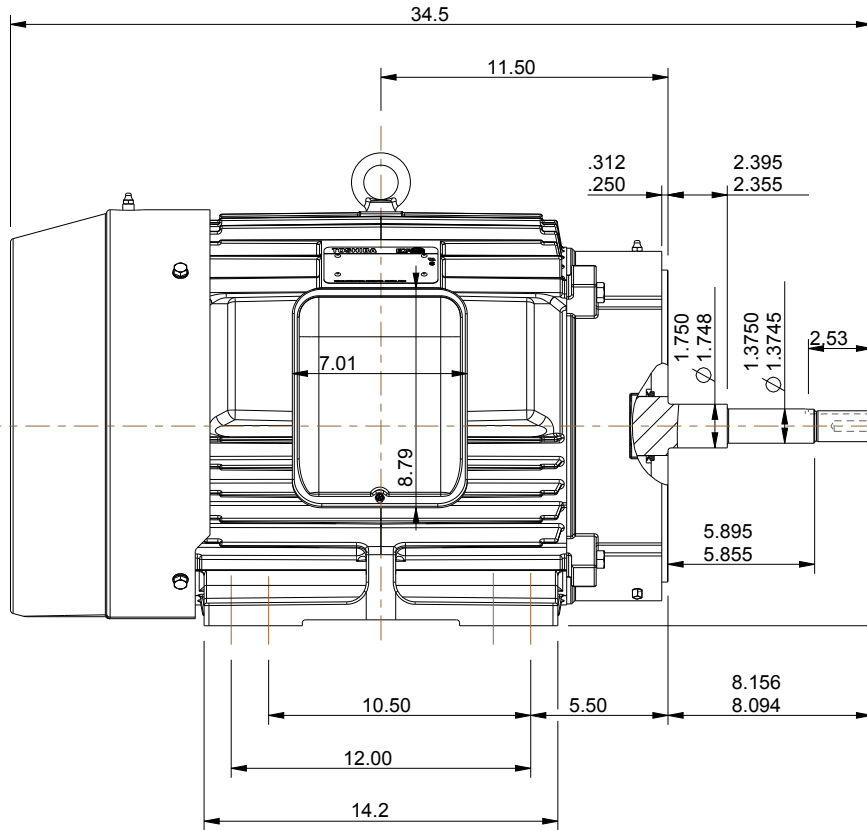
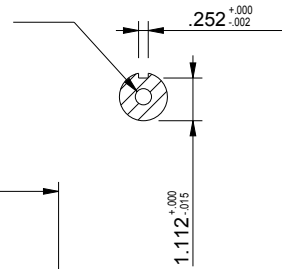


TAP 1/2" - 13
1.5" DEEP
CLASS 3 R.H.



NOTES:

1. MAIN CONDUIT BOX MAY BE ROTATED IN 90° INCREMENTS
2. STANDARD PRODUCT USE BI-DIRECTIONAL FAN. OPPOSITE ROTATION AVAILABLE ONLY BY CONNECTION CHANGE.
3. KEY DIMENSIONS EQUAL (MOTOR SUPPLIED WITH KEY)

0.250" x 0.250" x 2.53"

UNITS: INCHES

TOSHIBA RESERVES THE RIGHT TO MAKE CHANGES OF TECHNICAL IMPROVEMENT WITHOUT NOTICE. DO NOT USE FOR CONSTRUCTION, INSTALLATION, OR APPLICATION PURPOSES UNLESS THE DRAWING IS CERTIFIED.

**320JP TEFC FRAME
F1 ASSEMBLY**

MDSL159-06

TOSHIBA

TOSHIBA INTERNATIONAL CORPORATION

TOLERANCES

.X	.1
.XX	.03
.XXX	.005
.XXXX	.0005

MAXIMUM
MOTOR WEIGHT

651 lbs.
295 kgs.

0	FIRST ISSUE	MEASTERBROOK	5/30/13	JR
NO	REVISION	DRAWN BY	DATE	CHECK



DRAWN BY: M. EASTERBROOK
CHECK BY: J. RUSSELL
APPROVED BY:

www.toshiba.com/ind