

4

3

2

1

REV	ECO	REV BY	DATE	APPD	DATE
D	0025551	A. ARREOLA	04-30-2012	D. BALDERRAMA	04-30-2012

GENERAL INFORMATION:

SHAFT RUNOUT: .001 [.03] T.I.R. PER INCH LENGTH OF EXTENSION

BEARINGS: BALL

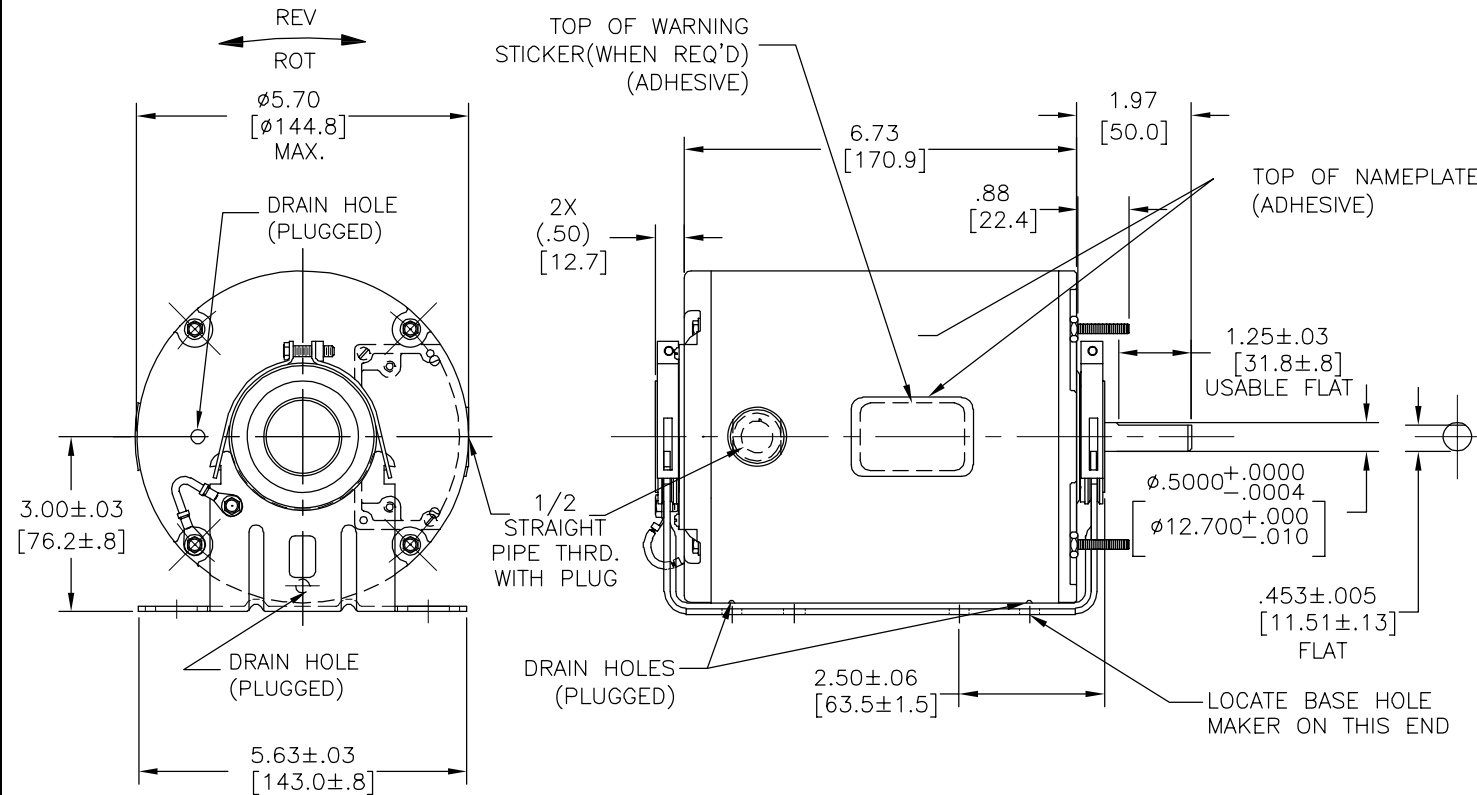
MOUNTING POSITION: ALL ANGLE  
POSITION:

ELECTRICAL DATA:

OVER LOAD PROTECTOR: (NO PROTECTOR)

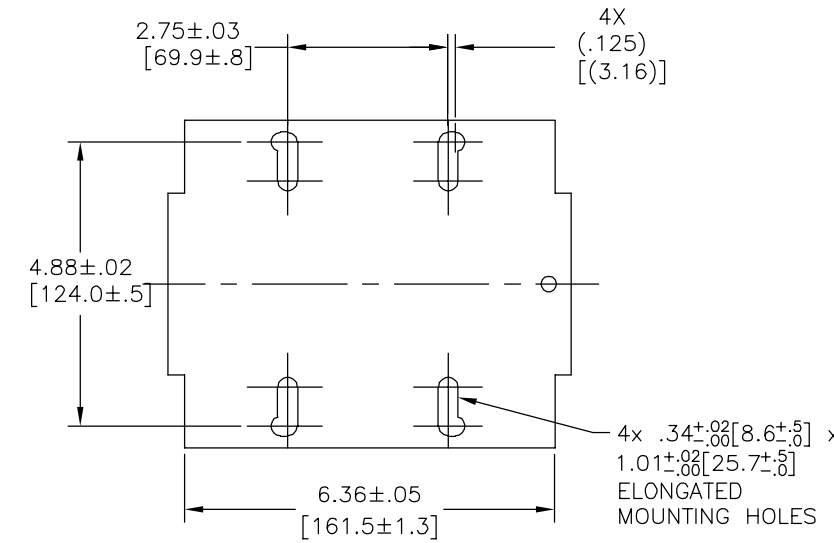
LEADS: NO. 18 GA., .03 [.8] THK. XLP 125°C INSUL.

GROUND LEAD: NO. 18 GA., .03 [.8] THK. (GRN/YEL) INSUL.



NAMEPLATE DATA:	EXTERNAL CONNECTION DIAGRAM
MODEL NO.: P48A97A01 CUST. P/N: H1027A HP: 1/3 ROT.: REV RPM: 1725/1425 TYPE: UP FRAME: 48Y VOLTS: 208-230/460 PH: 3 AMPS: 1.2-1.2/.6//1.4-1.4/.7 HZ: 60/50 INS.: B AMB.: 40°C DUTY: CONT. CAP.: - ENCL: ENCLOSED CODE: L	HIGH VOLTAGE ④-⑦ ① L1 ⑤-⑧ ② L2 ⑥-⑨ ③ L3 <hr/> LOW VOLTAGE ④ ⑦-① L1 ⑤ ⑧-② L2 ⑥ ⑨-③ L3 TO REVERSE INTERCHANGE ANY 2 LINE LEADS 614131-363

GRN/YEL (GRD)	3.0/5.0 [76/127]	#10 EYELET
RED (T9)	5.0/7.0 [127/178]	.50 SKIN
RED (T6)	5.0/7.0 [127/178]	.50 SKIN
RED (T3)	5.0/7.0 [127/178]	.50 SKIN
BLUE (T8)	5.0/7.0 [127/178]	.50 SKIN
BLUE (T5)	5.0/7.0 [127/178]	.50 SKIN
BLUE (T2)	5.0/7.0 [127/178]	.50 SKIN
WHITE (T7)	5.0/7.0 [127/178]	.50 SKIN
WHITE (T4)	5.0/7.0 [127/178]	.50 SKIN
WHITE (T1)	5.0/7.0 [127/178]	.50 SKIN
COLOR	LENGTH	TERMINAL OR STRIP LENGTH



MAIN FRAME - OLE	ENCLOSE
END FRAME - OLE	ENCLOSE
MAIN FRAME - LE	ENCLOSE
END FRAME - LE	ENCLOSE
ENCLOSURE	

CUSTOMER	DISTRIBUTION SERVICES
----------	-----------------------

PERFORMANCE CURVE NO.	TORQUE @ 1725 RPM (25°C)	APPROVED SAMPLE	UL COMPONENT FILE #	CCN #	CSA FILE #	CLASS #
C32782	19.2 OZ. FT.	0701178A	E46412	PRGY2	LR43341	4211-01

GEOMETRIC CHARACTERISTICS & SYMBOLS ▽ FLATNESS - STRAIGHTNESS < ANGLARITY ⊥ PERPENDICULARITY (SQUARENESS) // PARALLELISM ○ ROUNDNESS (CIRCULARITY) ∅ CYLINDRICITY △ PROFILE OF ANY SURFACE ∩ PROFILE OF ANY LINE ↑ RUNOUT ⊕ TRUE POSITION ⊙ CONCENTRICITY = SYMMETRY ASME Y14.5M 1994	REGAL-BELOIT CORPORATION (RBC) PROVIDES TECHNICAL ASSISTANCE TO OUR CUSTOMERS IN SEVERAL AREAS. SINCE RBC DOES NOT RECEIVE ALL DATA CONCERNING THE USE AND APPLICATION OF THE MOTOR, THE SUITABILITY OF THE MOTOR FOR THE APPLICATION MUST BE DETERMINED BY THE CUSTOMER.  DIMENSIONS WITHOUT TOLERANCES ARE FOR REFERENCE ONLY.
---------------------------------------------------------------------------------------------------------------------------------------------------------------------------------------------------------------------------------------------------------------------------------------------------------------------------------	----------------------------------------------------------------------------------------------------------------------------------------------------------------------------------------------------------------------------------------------------------------------------------------------------------------------------------------

DR BY: CADDIE	11-15-2007
APPD: XIAOLI	01-23-2008
THIRD ANGLE PROJECTION	EDS DATE 11-11-2011 FORMAT REV G

CONFIDENTIAL: THIS DRAWING AND ITS INFORMATION ARE THE EXCLUSIVE AND CONFIDENTIAL PROPERTY OF REGAL-BELOIT CORPORATION AND ARE NOT TO BE DISCLOSED, DUPLICATED, DISTRIBUTED OR OTHERWISE USED WITHOUT THE WRITTEN CONSENT OF REGAL-BELOIT CORPORATION. -ALL RIGHTS RESERVED.

DESCRIPTION	
MODEL-RFHP-48FR OUTLINE	
SIZE C	DWG NO P48A97A01
SCALE NONE	SHEET 1

4

3

2

1

4

3

2

1

REVISION:	ECO	REVISADO POR:	FECHA:	APROBADO POR:	FECHA:
D	0025551	A. ARREOLA	04-30-2012	D. BALDERRAMA	04-30-2012

**INFORMACION GENERAL:**

OSCILACION DE FLECHA: .001[.03] L.T.I. POR PULGADA EN LA EXTENSION

BALEROS: BOLAS

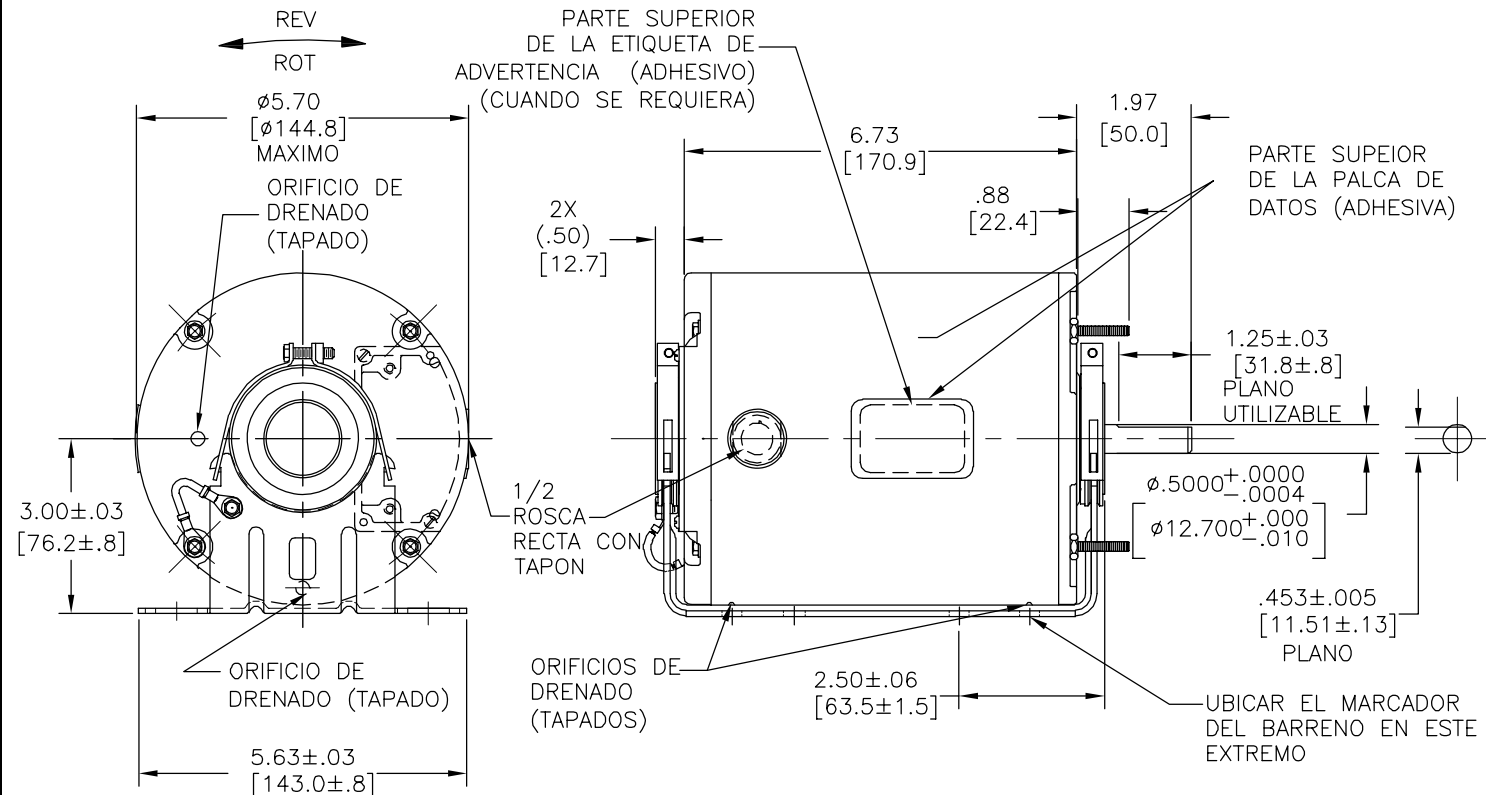
POSICION DEL MONTAJE: TODOS LOS ANGULOS

**INFORMACION ELECTRICA:**

SOBRECARGA DEL PROTECTOR: SIN PROTECTOR

CABLES: CALIBRE 18 GROSOR DE .03[.8] XLP AISLANTE PARA 125°C

CABLE DE TIERRA: CALIBRE 18 GROSOR DE .03[.8] XLP AISLANTE (VERDE/AMARILLO)



VERDE/AMAR (TIERRA)	3.0/5.0 [76/127]	OJAL #10
ROJO(T9)	5.0/7.0 [127/178]	.50 FORRO
ROJO(T6)	5.0/7.0 [127/178]	.50 FORRO
ROJO(T3)	5.0/7.0 [127/178]	.50 FORRO
AZUL(T8)	5.0/7.0 [127/178]	.50 FORRO
AZUL(T5)	5.0/7.0 [127/178]	.50 FORRO
AZUL(T2)	5.0/7.0 [127/178]	.50 FORRO
BLANCO(T7)	5.0/7.0 [127/178]	.50 FORRO
BLANCO(T4)	5.0/7.0 [127/178]	.50 FORRO
BLANCO(T1)	5.0/7.0 [127/178]	.50 FORRO
COLOR	LONGITUD	TERMINAL O LONG. DESFORRE

CSA	CLASE #
LR43341	4211-01

INFORMACION DE CABLES

A MENOS QUE SE ESPECIFIQUE DE OTRA MANERA, LAS TOLERANCIAS DE LAS DIMS: SON LAS SIGUIENTES:

PULG ±.1 ±.02 ±.005 ±.0005  
 mm ±0.5 ±0.13 ±0.013

ANG. ± 50 GRADOS

ELIMINAR REBABAS Y ORILLAS FILOSAS DEL BORDE.

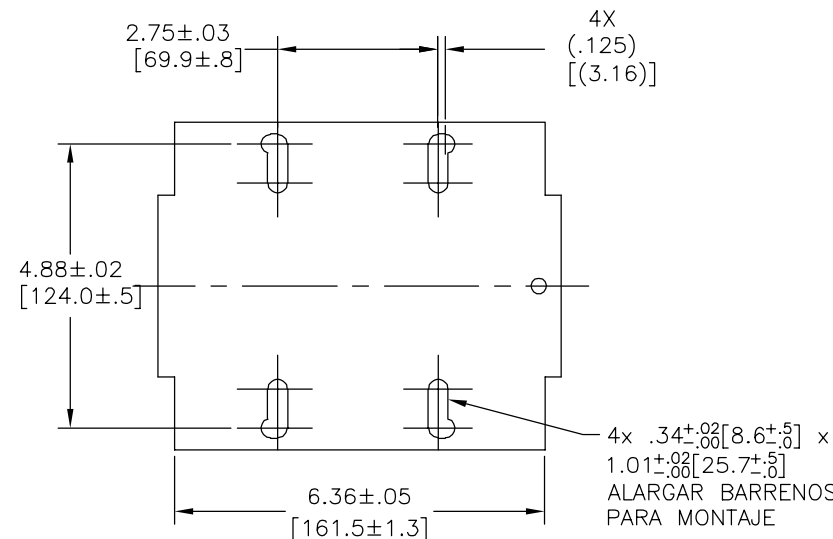
PULG .003-.015 mm 0.1-0.4

FILETEAR ESQUINA: PULG .020 mm 0.5

MAQUINAR SUPERFICIES

PULG 125 mm .32

DIMS METRICAS MOSTRADAS [PARENTESIS]



DE CARCASA - OLE	CERRADO TAPADO
DE TAPA - OLE	CERRADO TAPADO
DE CARCASA - LE	CERRADO TAPADO
DE TAPA - LE	CERRADO TAPADO

CLIENTE	DISTRIBUTION SERVICES
---------	-----------------------

INFORMACION DE ETIQUETA:	DIAGRAMA DE CONEXION EXTRNA
MODEL NO.: P48A97A01 CUST. P/N: H1027A HP: 1/3 ROT.: REV RPM: 1725/1425 TYPE: UP FRAME: 48Y VOLTS: 208-230/460 PH: 3 AMPS:1.2-1.2/.6//1.4-1.4/.7 HZ: 60/50 INS.: B AMB.: 40°C DUTY: CONT. CAP.: - ENCL: ENCLOSED CODE: L	<p>④-⑦ ① L1</p> <p>⑤-⑧ ② L2</p> <p>⑥-⑨ ③ L3</p> <hr/> <p>④ ⑦-① L1</p> <p>⑤ ⑧-② L2</p> <p>⑥ ⑨-③ L3</p> <p>614131-363</p>

CURVAS DE FUNCIONAMIENTO	TORSION @--- RPM (25°C)	MUESTRA APROBADA	COMPONENTE UL #ARCHIVO	CCN #	CSA #ARCHIVO	CLASE #
C32782	19.2 OZ. FT.	0701178A	E46412	PRGY2	LR43341	4211-01

CARACTERISTICAS DE GEOMETRIA Y SIMBOLOS

□ PLANICIDAD

- RECTITUD

∠ ANGULARIDAD

⊥ PERPENDICULARIDAD (A ESQUADRA)

// PARALELISMO

○ REDONDEZ (CIRCULARIDAD)

∅ CILINDRICIDAD

△ PERFIL DE CUALQUIER SUPERFICIE

∧ PERFIL DE CUALQUIER LINEA

∧ VARIACION

⊕ POSICION REAL

◎ CONCENTRICIDAD

= SIMETRIA

ASME Y14.5M 1994

DIBUJADO POR: CADDIE 11-15-2007

APROBADO POR: XIAOLI 01-23-2008

TERCER ANGULO DE PROYECCION

FECHA EDS: 11-11-2011

REV. FORMATO: G

CONFIDENCIAL: ESTE DIBUJO Y SU INFORMACION SON PROPIEDAD DE USO EXCLUSIVO Y CONFIDENCIAL DE REGAL-BELOIT CORPORATION. Y NO DEBERAN SER REVELADOS, DUPLICADOS, DISTRIBUIDOS O USARSE DE OTRA MANERA SIN EL CONSENTIMIENTO ESCRITO DE REGAL-BELOIT CORPORATION. -TODOS LOS DERECHOS RESERVADOS.

REGAL-BELOIT CORPORATION

DESCRIPCION: MODEL-RFHP-48FR OUTLINE

TAMAÑO: C NUMERO DE DIBUJO: P48A97A01

ESCALA: NONE HOJA: 1

4

3

2

1

4

3

2

1

版本	ECO	编制	日期	批准	日期
D	0025551	A. ARREOLA	04-30-2012	D. BALDERRAMA	04-30-2012

总要求:

轴跳动: 0.03/25.4mm(外伸轴).

轴承: 球轴承.

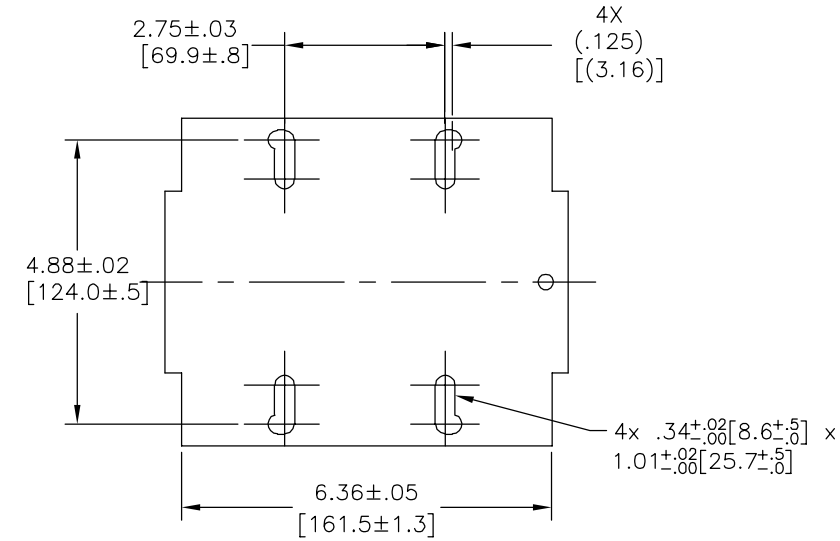
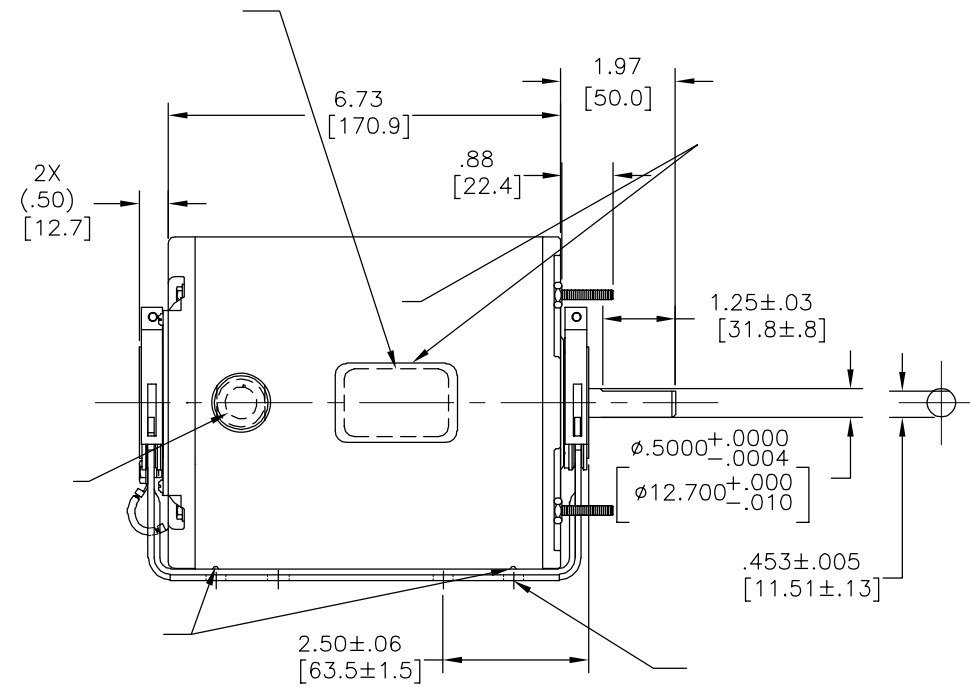
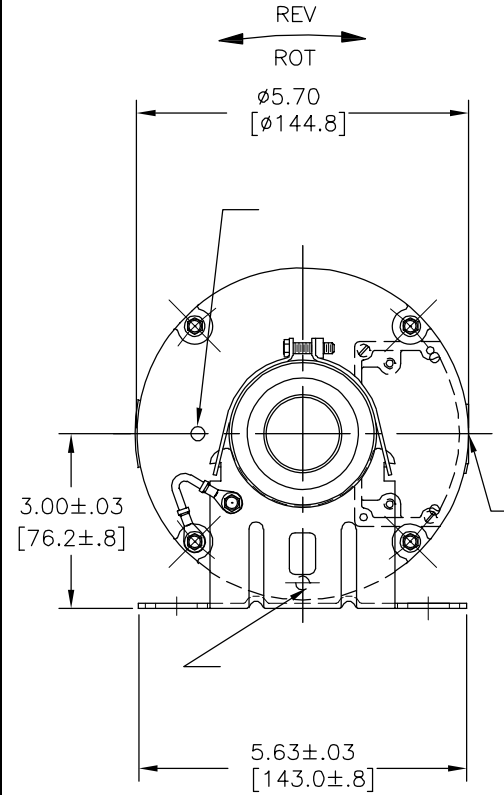
安装位置: 垂直 - 轴向下

电气数据:

过载保护: 自动复位 (T. I. 7AM 036)

引线: 18GA, 厚.06[1.5] PVC 105°C 绝缘

接地线: 18GA, 厚.03[0.8] 绿色绝缘

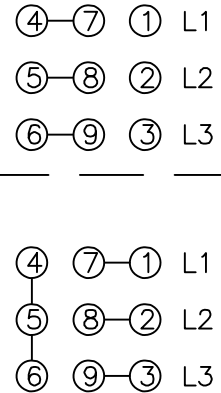


非引线端机壳	
非引线端端盖	
引线端机壳	
引线端端盖	

用户	DISTRIBUTION SERVICES
----	-----------------------

铭牌数据 外部连接详图

MODEL NO.: P48A97A01  
 CUST. P/N: H1027A  
 HP: 1/3  
 ROT.: REV  
 RPM: 1725/1425  
 TYPE: UP  
 FRAME: 48Y  
 VOLTS: 208-230/460  
 PH: 3  
 AMPS: 1.2-1.2/.6//1.4-1.4/.7  
 HZ: 60/50  
 INS.: B  
 AMB.: 40°C  
 DUTY: CONT.  
 CAP.: -  
 ENCL: ENCLOSED  
 CODE: L



614131-363

	3.0/5.0 [76/127]	
	5.0/7.0 [127/178]	.50 [12.7]
	5.0/7.0 [127/178]	.50 [12.7]
	5.0/7.0 [127/178]	.50 [12.7]
	5.0/7.0 [127/178]	.50 [12.7]
	5.0/7.0 [127/178]	.50 [12.7]
	5.0/7.0 [127/178]	.50 [12.7]
	5.0/7.0 [127/178]	.50 [12.7]
	5.0/7.0 [127/178]	.50 [12.7]
	5.0/7.0 [127/178]	.50 [12.7]
	5.0/7.0 [127/178]	.50 [12.7]
	5.0/7.0 [127/178]	.50 [12.7]
	5.0/7.0 [127/178]	.50 [12.7]

CONFORM	长度	端子或剥线长度
---------	----	---------

引线数据

性能曲线编号	转矩在 RPM (25° C)	批准样品	UL部件	CSA
C32782	19.2 OZ. FT.	0701178A	文件号 指南	文件号 指南
			E46412 PRGY2	LR43341 4211-01

形位公差	除另有注明
□ 平面度	尺寸公差如下:
— 直线度	英寸 X XX XXX XXXX
∠ 倾斜度	英寸 ±.1 ±.02 ±.005 ±.0005
⊥ 垂直度	毫米 ±0.5 ±0.13 ±0.013
// 平行度	角度 ±.50 度
○ 圆度	清理毛刺和尖棱
⊘ 圆柱度	英寸 .003-.015 毫米 0.1-0.4
△ 面轮廓度	内圆角
∇ 线轮廓度	英寸 .020 毫米 0.5
∧ 圆跳动	表面粗糙度
⊕ 位置度	英制 125 米制 3.2
⊙ 同轴度	米制尺寸显示在 [ ]
≡ 对称度	

ASME Y14.5M 1994

绘图: CADDIE 11-15-2007

批准: XIAOLI 01-23-2008

第三角投影 图纸格式发布日期 11-11-2011 图纸格式版本 G

机密: 本图纸及相关信息所有权归REGAL-BELOIT CORPORATION. 未经REGAL-BELOIT CORPORATION书面授权, 不得泄露、复制、传播或作其他用途。—版权所有



名称	MODEL-RFHP-48FR OUTLINE
图幅	C
图号	P48A97A01
比例	NONE
页号	1

4

3

2

1