

4

3

2

1

REV	ECO	REV BY	DATE	APPD	DATE
D	0025550	A. ARREOLA	04-27-2012	D. BALDERRAMA	04-27-2012

GENERAL INFORMATION:

SHAFT RUNOUT: .001[.3] T.I.R. PER INCH LENGTH OF EXTENSION

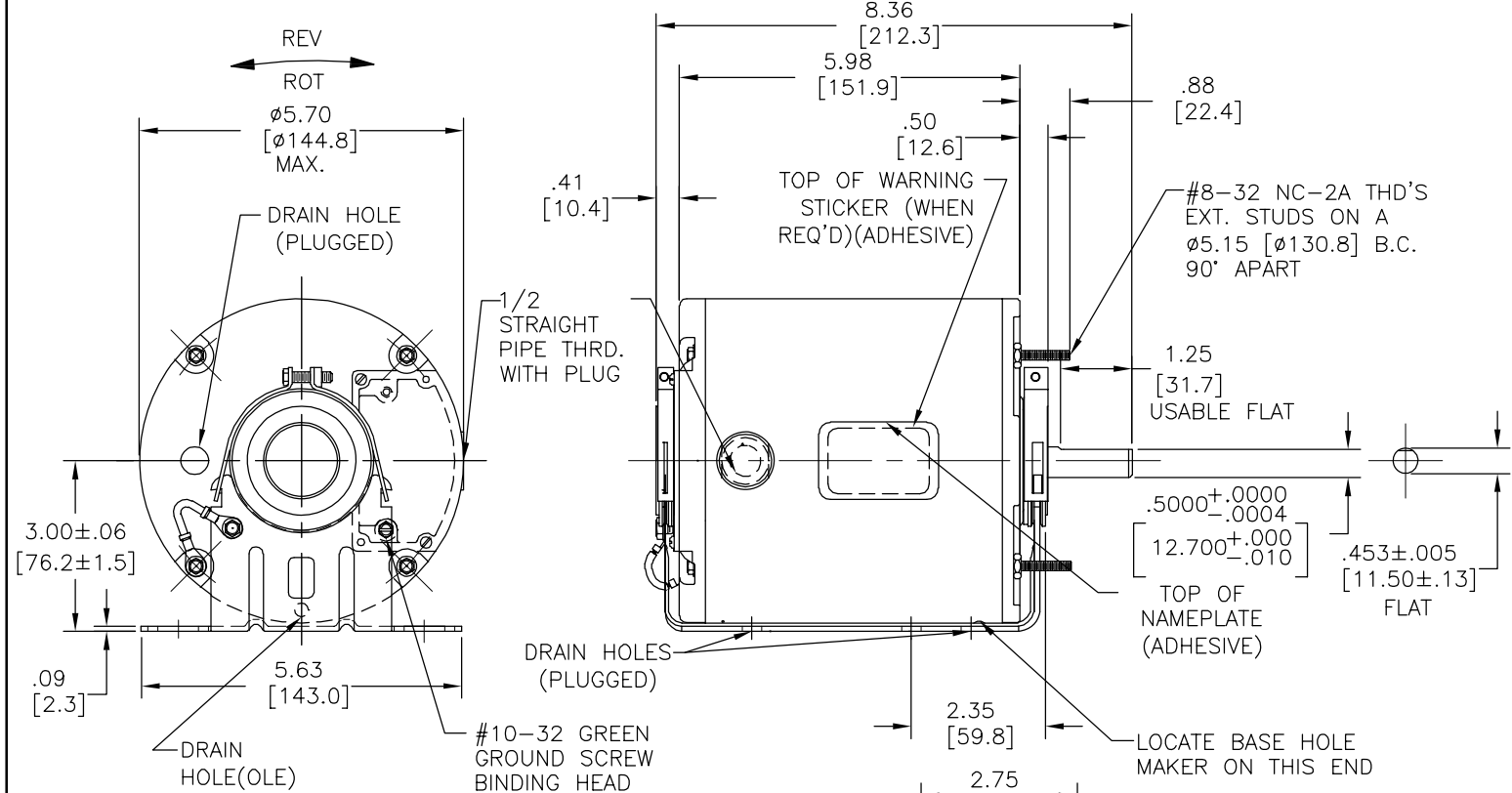
BEARINGS: BALL

MOUNTING POSITION: ALL ANGLE

ELECTRICAL DATA:

LEADS: NO. 18 GA., .03 [.8] THK. XLP 125°C INSUL.

GROUND LEAD: NO. 18 GA., .03 [.8] THK. (GRN/YEL) INSUL.



NOTE: SHIP MOTOR CONNECTED FOR 230V.

GRN/YEL(GRD)	CONNECTED TO BASE	#10 EYELET
RED(T9)	5.0/7.0 [127/178]	.50 [12.7] SKIN
RED(T6)	5.0/7.0 [127/178]	.50 [12.7] SKIN
RED(T3)	5.0/7.0 [127/178]	.50 [12.7] SKIN
BLUE(T8)	5.0/7.0 [127/178]	.50 [12.7] SKIN
BLUE(T5)	5.0/7.0 [127/178]	.50 [12.7] SKIN
BLUE(T2)	5.0/7.0 [127/178]	.50 [12.7] SKIN
WHITE(T7)	5.0/7.0 [127/178]	.50 [12.7] SKIN
WHITE(T4)	5.0/7.0 [127/178]	.50 [12.7] SKIN
WHITE(T1)	5.0/7.0 [127/178]	.50 [12.7] SKIN
COLOR	LENGTH	TERMINAL OR STRIP LENGTH

NAMEPLATE DATA:	EXTERNAL CONNECTION DIAGRAM
MODEL NO.: P48B02A01 CUST. P/N: H1025A HP: 1/4 ROT.: REV RPM: 1725/1425 TYPE: UF FRAME: 48Y VOLTS: 208-230/460 PH: 3 AMPS: 1.4-1.5/.75 HZ: 60 INS.: B AMB.: 40°C DUTY: CONT CAP.: - ENCL: ENCLOSED UL LOGO CSA LOGO CODE: N	HIGH VOLTAGE ④-⑦ ① L1 ⑤-⑧ ② L2 ⑥-⑨ ③ L3 LOW VOLTAGE ④ ⑦-① L1 ⑤ ⑧-② L2 ⑥ ⑨-③ L3 TO REVERSE INTERCHANGE ANY 2 LINE LEADS 614131-363

PERFORMANCE CURVE NO.	TORQUE @ 1725 RPM (25°C)	APPROVED SAMPLE	UL COMPONENT FILE #	CCN #	CSA FILE #	CLASS #
C32827	20.1 OZ. FT.	0701177A	E46412	PRGY2	LR43341	4211-01

MAIN FRAME - OLE	ENCLOSED
END FRAME - OLE	ENCLOSED
MAIN FRAME - LE	ENCLOSED
END FRAME - LE	ENCLOSED
ENCLOSURE	

CUSTOMER	DISTRIBUTION SERVICES
----------	-----------------------

GEOMETRIC CHARACTERISTICS & SYMBOLS
 ▽ FLATNESS
 - STRAIGHTNESS
 < ANGLARITY
 ⊥ PERPENDICULARITY (SQUARENESS)
 // PARALLELISM
 ○ ROUNDNESS (CIRCULARITY)
 ∅ CYLINDRICITY
 △ PROFILE OF ANY SURFACE
 ∩ PROFILE OF ANY LINE
 ↗ RUNOUT
 ⊕ TRUE POSITION
 ⊙ CONCENTRICITY
 = SYMMETRY
 ASME Y14.5M 1994

REGAL-BELOIT CORPORATION (RBC) PROVIDES TECHNICAL ASSISTANCE TO OUR CUSTOMERS IN SEVERAL AREAS. SINCE RBC DOES NOT RECEIVE ALL DATA CONCERNING THE USE AND APPLICATION OF THE MOTOR, THE SUITABILITY OF THE MOTOR FOR THE APPLICATION MUST BE DETERMINED BY THE CUSTOMER.
 DIMENSIONS WITHOUT TOLERANCES ARE FOR REFERENCE ONLY.

DR BY: CADDIE ZHOU 02-02-2008
 APPD:
 THIRD ANGLE PROJECTION
 EDS DATE 11-11-2011
 FORMAT REV G
 CONFIDENTIAL: THIS DRAWING AND ITS INFORMATION ARE THE EXCLUSIVE AND CONFIDENTIAL PROPERTY OF REGAL-BELOIT CORPORATION AND ARE NOT TO BE DISCLOSED, DUPLICATED, DISTRIBUTED OR OTHERWISE USED WITHOUT THE WRITTEN CONSENT OF REGAL-BELOIT CORPORATION. -ALL RIGHTS RESERVED.

DESCRIPTION	
MODEL-RFHP-48FR OUTLINE	
SIZE C	DWG NO P48B02A01
SCALE NONE	SHEET 1

4

3

2

1

4

3

2

1

REVISION:	ECO	REVISADO POR:	FECHA:	APROBADO POR:	FECHA:
D	0025550	A. ARREOLA	04-27-2012	D. BALDERRAMA	04-27-2012

INFORMACION GENERAL:

OSCILACION DE FLECHA: .001[.03] POR PULGADA EN LA EXTENSION DE LA FLECHA L.T.I.

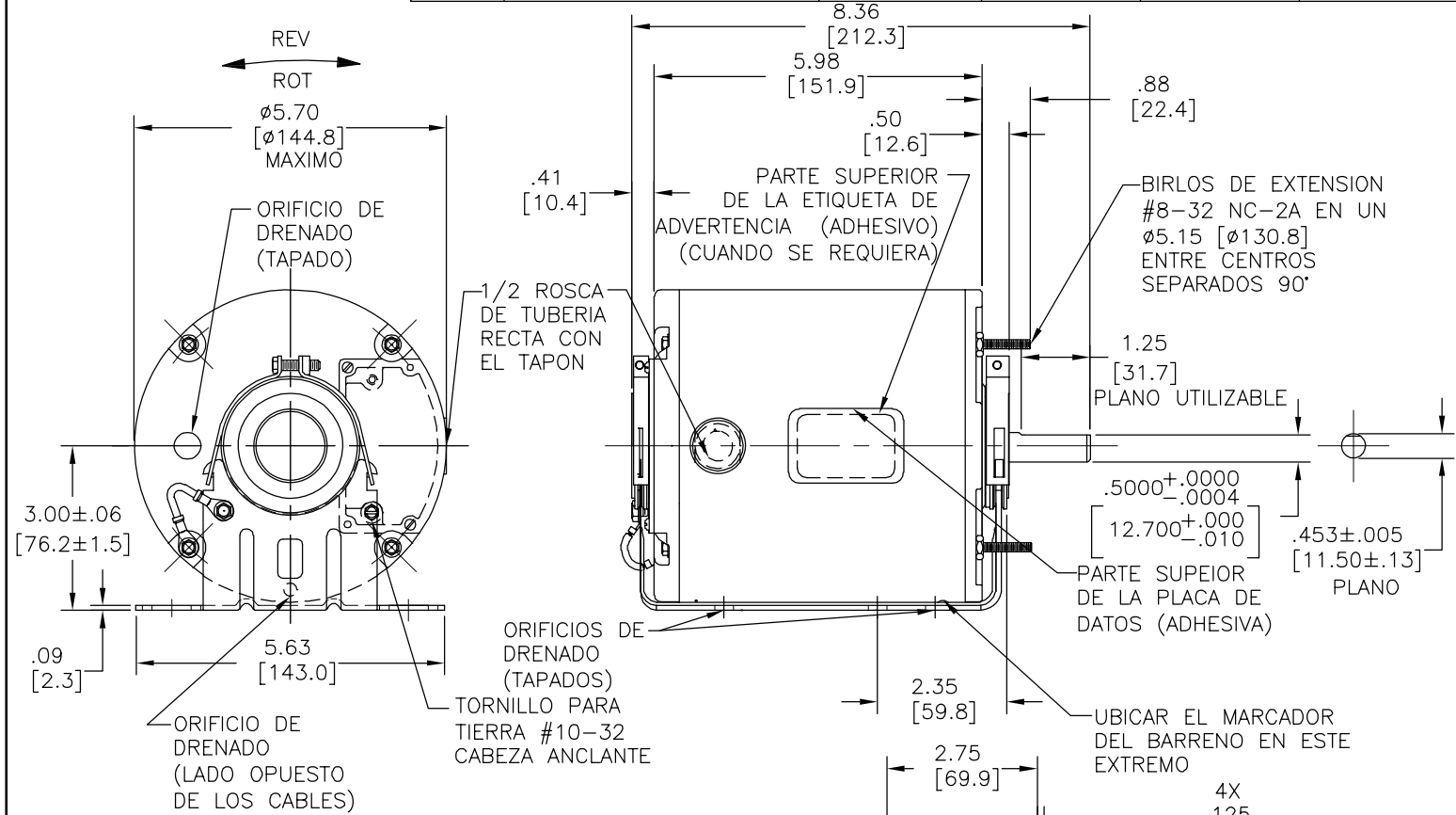
BALEROS: BOLAS

POSICION DEL MONTAJE: TODOS LOS ANGULOS

INFORMACION ELECTRICICA:

CABLES: CALIBRE 18 GROSOR DE .03[.8] XLP AISLANTE PARA 125°C

CABLE DE TIERRA: CALIBRE 18 GROSOR DE .03[.8] XLP AISLANTE (VERDE/AMARILLO)



NOTA: EMBARCAR EL MOTOR CONECTADO PARA 230V.

VERDE/AMARILLO (TIERRA)	CONECTADO A LA BASE	TERMINAL DE OJO #10
ROJO	5.0/7.0 [127/178]	.50 [12.7] FORRO
ROJO	5.0/7.0 [127/178]	.50 [12.7] FORRO
ROJO	5.0/7.0 [127/178]	.50 [12.7] FORRO
AZUL	5.0/7.0 [127/178]	.50 [12.7] FORRO
AZUL	5.0/7.0 [127/178]	.50 [12.7] FORRO
AZUL	5.0/7.0 [127/178]	.50 [12.7] FORRO
BLANCO	5.0/7.0 [127/178]	.50 [12.7] FORRO
BLANCO	5.0/7.0 [127/178]	.50 [12.7] FORRO
BLANCO	5.0/7.0 [127/178]	.50 [12.7] FORRO
COLOR	LONGITUD	TERMINAL O LONGITUD DE DESFORRE

DE CARCAZA - OLE	CERRADO
DE TAPA - OLE	CERRADO
DE CARCAZA - LE	CERRADO
DE TAPA - LE	CERRADO

CLIENTE	DISTRIBUTION SERVICES
---------	-----------------------

PLACA DE DATOS:	DIAGRAMA DE CONEXION EXTERNA
MODEL NO.: P48B02A01 CUST. P/N: H1025A HP: 1/4 ROT.: REV RPM: 1725/1425 TYPE: UF FRAME: 48Y VOLTS: 208-230/460 PH: 3 AMPS: 1.4-1.5/.75 HZ: 60 INS.: B AMB.: 40°C DUTY: CONT CAP.: - ENCL: ENCLOSED UL LOGO CSA LOGO CODE: N	
614131-363	

CURVAS DE DESEMPEÑO	TORSION @---- RPM (25°C)	MUESTRA APROBADA	COMPONENTE UL	CSA
C32827	20.1 OZ. FT.	0701177A	#ARCHIVO CCN #	#ARCHIVO CLASE #
			E46412 PRGY2	LR43341 4211-01

CARACTERISTICAS DE GEOMETRIA Y SIMBOLOS
 ▽ PLANICIDAD
 - RECTITUD
 < ANGULARIDAD
 ⊥ PERPENDICULARIDAD (A ESCUADRA)
 // PARALELISMO
 ○ REDONDEZ (CIRCULARIDAD)
 ∅ CILINDRICIDAD
 △ PERFIL DE CUALQUIER SUPERFICIE
 ∩ PERFIL DE CUALQUIER LINEA
 ↗ VARIACION
 ⊕ POSICION REAL
 ⊙ CONCENTRICIDAD
 = SIMETRIA
 ASME Y14.5M 1994

REGAL-BELOIT CORPORATION (RBC) PROVEE ASISTENCIA TECNICA A NUESTROS CLIENTES EN VARIAS AREAS. DESDE QUE RBC NO RECIBE TODOS LOS DATOS EN RELACION AL USO Y A LA APLICACION DEL MOTOR, LA APLICACION ADECUADA DEL MOTOR DEBE SER DETERMINADA POR EL CLIENTE.
 DIMENSIONES SIN TOLERANCIA SON DE REFERENCIA SOLAMENTE

DIBUJADO POR: CADDIE ZHOU 02-02-2008
 APROBADO POR:
 TERCER ANGULO DE PROYECCION
 FECHA EDS: 11-11-2011
 REV. FORMATO: G
 CONFIDENCIAL: ESTE DIBUJO Y SU INFORMACION SON PROPIEDAD DE USO EXCLUSIVO Y CONFIDENCIAL DE REGAL-BELOIT CORPORATION. Y NO DEBERAN SER REVELADOS, DUPLICADOS, DISTRIBUIDOS O USARSE DE OTRA MANERA SIN EL CONSENTIMIENTO ESCRITO DE REGAL-BELOIT CORPORATION. -TODOS LOS DERECHOS RESERVADOS.

REGAL-BELOIT CORPORATION
 DESCRIPCION: MODEL-RFHP-48FR OUTLINE
 TAMAÑO: C NUMERO DE DIBUJO: P48B02A01
 ESCALA: NONE HOJA: 1

4

3

2

1

4

3

2

1

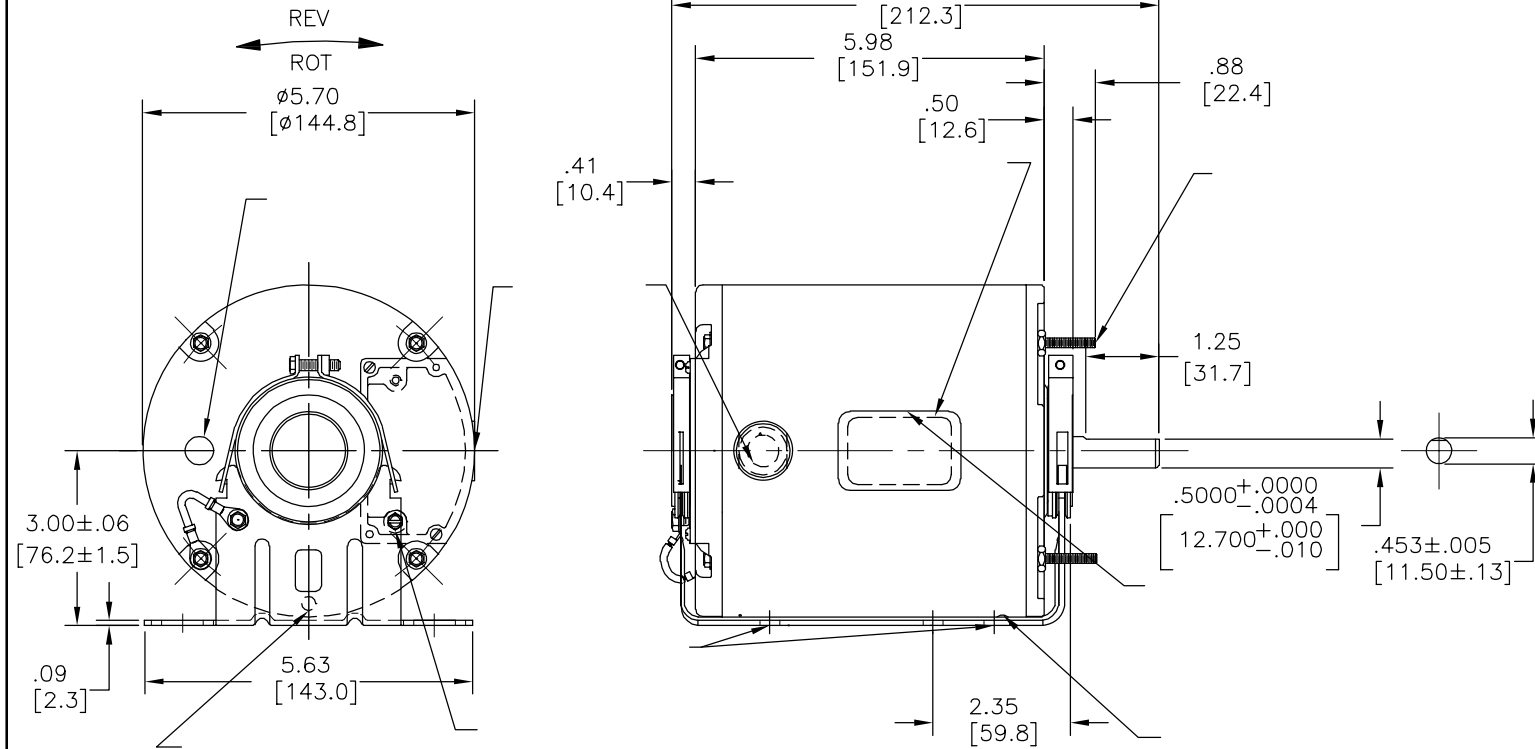
总要求:

轴跳动: 0.03/25.4mm(外伸轴).

轴承: 球轴承.

安装位置: 垂直 - 轴向下

版本	ECO	编制	日期	批准	日期
D	0025550	A. ARREOLA	04-27-2012	D. BALDERRAMA	04-27-2012



电气数据:

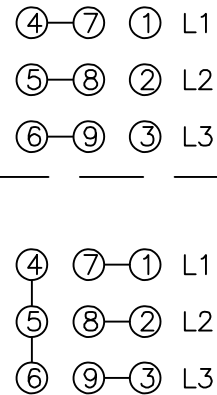
过载保护: 自动复位 (T. I. 7AM 036)

引线: 18GA, 厚.06[1.5] PVC 105°C 绝缘

接地线: 18GA, 厚.03[0.8] 绿色绝缘

铭牌数据 外部连接详图

MODEL NO.: P48B02A01
CUST. P/N: H1025A
HP: 1/4
ROT.: REV
RPM: 1725/1425
TYPE: UF
FRAME: 48Y
VOLTS: 208-230/460
PH: 3
AMPS: 1.4-1.5/.75
HZ: 60
INS.: B
AMB.: 40°C
DUTY: CONT
CAP.: -
ENCL: ENCLOSED
UL LOGO
CSA LOGO
CODE: N



614131-363

	5.0/7.0 [127/178]	.50 [12.7]
	5.0/7.0 [127/178]	.50 [12.7]
	5.0/7.0 [127/178]	.50 [12.7]
	5.0/7.0 [127/178]	.50 [12.7]
	5.0/7.0 [127/178]	.50 [12.7]
	5.0/7.0 [127/178]	.50 [12.7]
	5.0/7.0 [127/178]	.50 [12.7]
	5.0/7.0 [127/178]	.50 [12.7]
	5.0/7.0 [127/178]	.50 [12.7]
	5.0/7.0 [127/178]	.50 [12.7]
	5.0/7.0 [127/178]	.50 [12.7]
	5.0/7.0 [127/178]	.50 [12.7]
	5.0/7.0 [127/178]	.50 [12.7]
	5.0/7.0 [127/178]	.50 [12.7]
	5.0/7.0 [127/178]	.50 [12.7]
	5.0/7.0 [127/178]	.50 [12.7]

性能曲线编号	转矩在---RPM (25° C)	批准样品	UL部件 文件号 指南	CSA 文件号 指南	颜色	长度	端子或剥线长度
C32827	20.1 OZ. FT.	0701177A	E46412 PRGY2	LR43341 4211-01			

引线数据

非引线端机壳	
非引线端端盖	
引线端机壳	
引线端端盖	

用户	DISTRIBUTION SERVICES
----	-----------------------

- 形位公差
- 平面度
- 直线度
- ∠ 倾斜度
- ⊥ 垂直度
- // 平行度
- 圆度
- ⊘ 圆柱度
- ⊖ 面轮廓度
- ⊖ 线轮廓度
- ↗ 圆跳动
- ⊕ 位置度
- ⊙ 同轴度
- ≡ 对称度

ASME Y14.5M 1994

REGAL-BELOIT CORPORATION (RBC) 在个别领域为客户提供技术支持。鉴于RBC未收到任何涉及电机使用和应用环境的数据，电机的适用性由客户自己决定。

未注公差尺寸仅供参考。

绘图: CADDIE ZHOU 02-02-2008

批准:

名称: REGAL-BELOIT CORPORATION

第三角投影

图纸格式发布日期 11-11-2011
图纸格式版本 G

机密: 本图纸及相关信息所有权归REGAL-BELOIT CORPORATION。未经REGAL-BELOIT CORPORATION书面授权, 不得泄露、复制、传播或作其他用途。—版权所有

名称		REGAL-BELOIT CORPORATION	
图幅		图号	
C	P48B02A01		
比例	NONE	页号	1

4

3

2

1