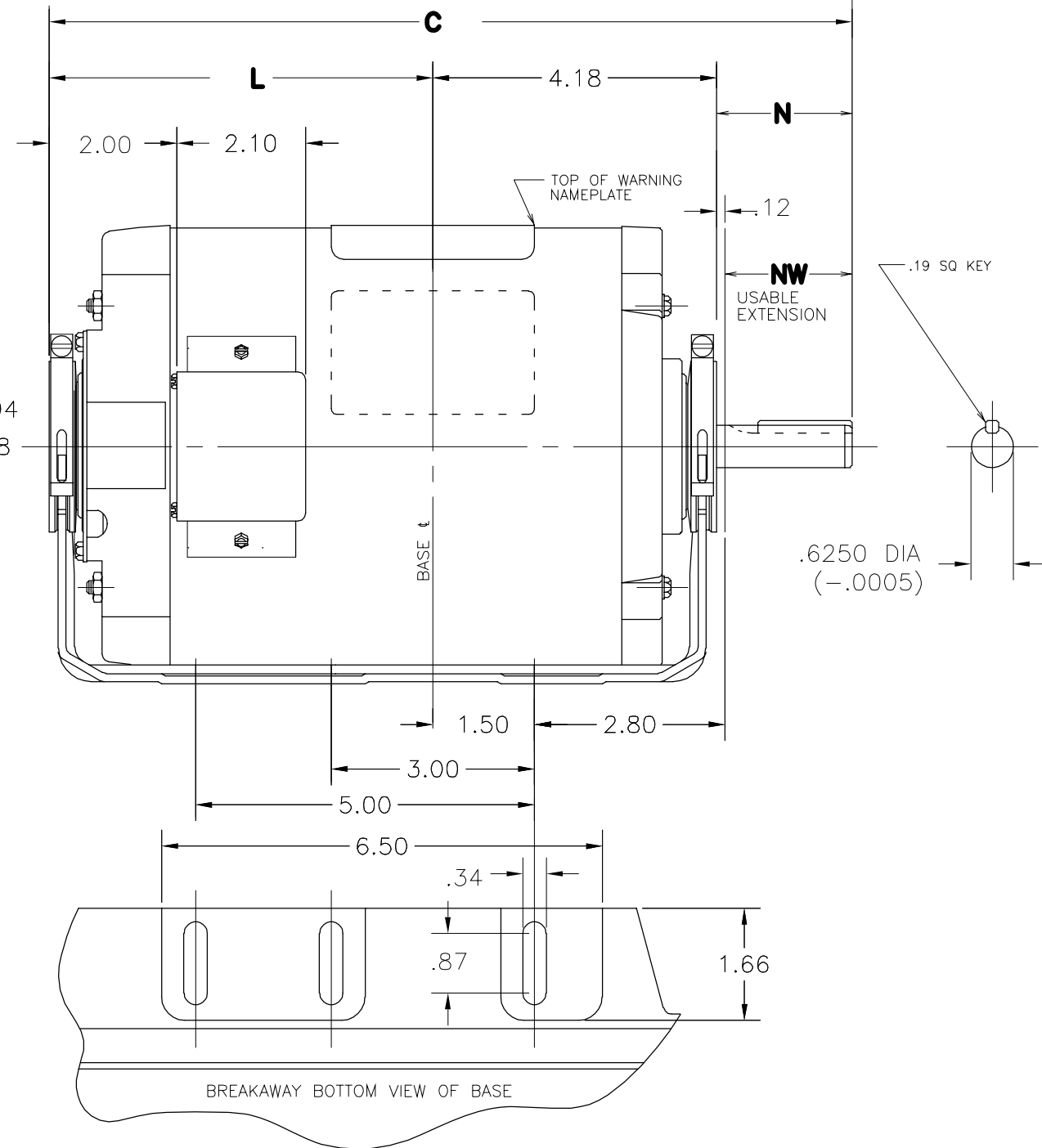
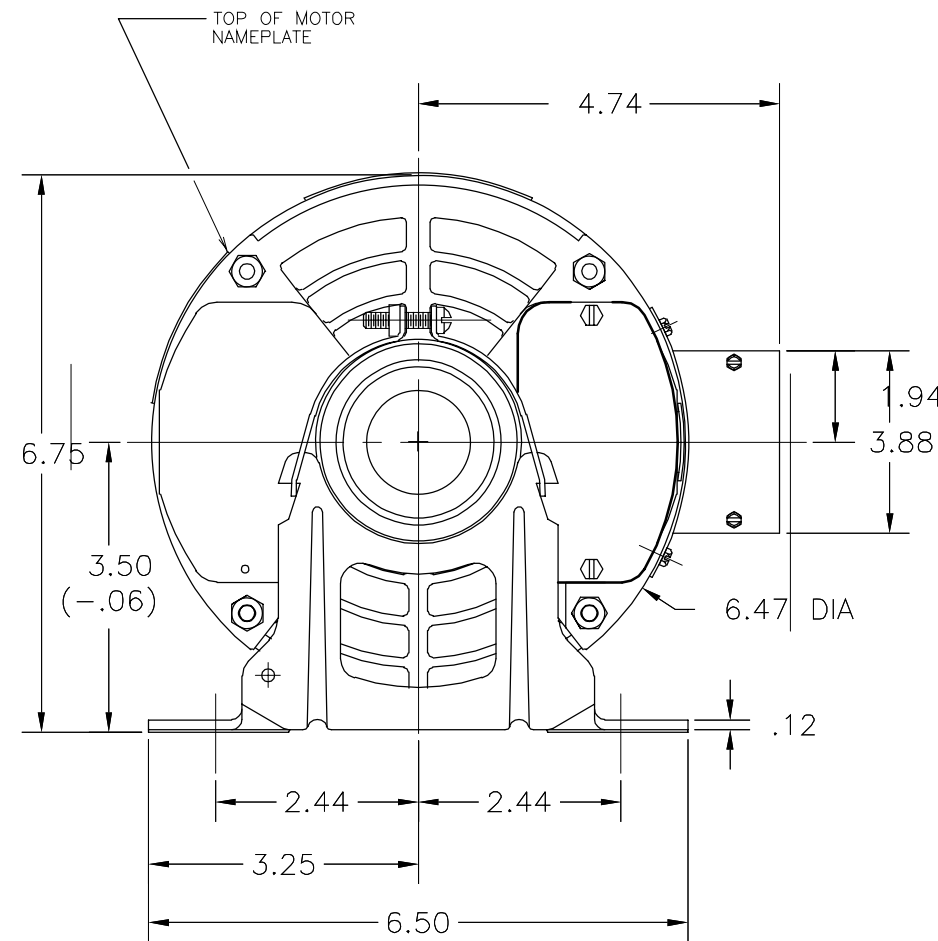


REV	ECO	REV BY	DATE	APPD	DATE
D	0032047	F.NAVARRO	04-03-2013	T.REYES	04-03-2013



MODEL	FRAME LENGTH	C	L	N	NW			
312P225	7.062	12.34	6.16	2.00	1.88			
311P414	6.562	11.84	5.66	2.00	1.88			
311P720	7.562	12.84	6.66	2.00	1.88			

GEOMETRIC CHARACTERISTICS & SYMBOLS  
 □ FLATNESS  
 - STRAIGHTNESS  
 < ANGLARITY  
 ⊥ PERPENDICULARITY (SQUARENESS)  
 // PARALLELISM  
 ○ ROUNDNESS (CIRCULARITY)  
 ∅ CYLINDRICITY  
 △ PROFILE OF ANY SURFACE  
 ∩ PROFILE OF ANY LINE  
 ↗ RUNOUT  
 ⊕ TRUE POSITION  
 ⊙ CONCENTRICITY  
 = SYMMETRY  
 ASME Y14.5M 1994

UNLESS OTHERWISE SPECIFIED  
 DIM. TOLERANCES ARE AS FOLLOWS:  
 INCH X XX XXX XXXX  
 ±.1 ±.02 ±.005 ±.0005  
 mm ±0.5 ±0.13 ±0.013  
 ANG. ±.50 DEG  
 REMOVE BURRS & BREAK SHARP EDGES:  
 INCH .003-.015 mm 0.1-0.4  
 CORNER FILLETS TO:  
 INCH .020 mm 0.5  
 MACHINE SURFACES:  
 INCH 125 mm 3.2  
 METRIC DIMS. SHOWN IN [BRACKETS]

DR BY: WENDLING 05-18-1993  
 APPD:  
 THIRD ANGLE PROJECTION  
 EDS DATE 11-11-2011  
 FORMAT REV H  
 CONFIDENTIAL: THIS DRAWING AND ITS INFORMATION ARE THE EXCLUSIVE AND CONFIDENTIAL PROPERTY OF REGAL-BELOIT CORPORATION AND ARE NOT TO BE DISCLOSED, DUPLICATED, DISTRIBUTED OR OTHERWISE USED WITHOUT THE WRITTEN CONSENT OF REGAL-BELOIT CORPORATION. -ALL RIGHTS RESERVED.

**REGAL REGAL-BELOIT CORPORATION**  
 DESCRIPTION: MODEL-CFHP-56FR OUTLINE  
 SIZE C DWG NO 11698-001  
 SCALE NONE SHEET 1