

GENERAL INFORMATION:

SHAFT RUNOUT: .001[.03] T.I.R. PER 1.00[25.4] LENGTH OF EXTENSION

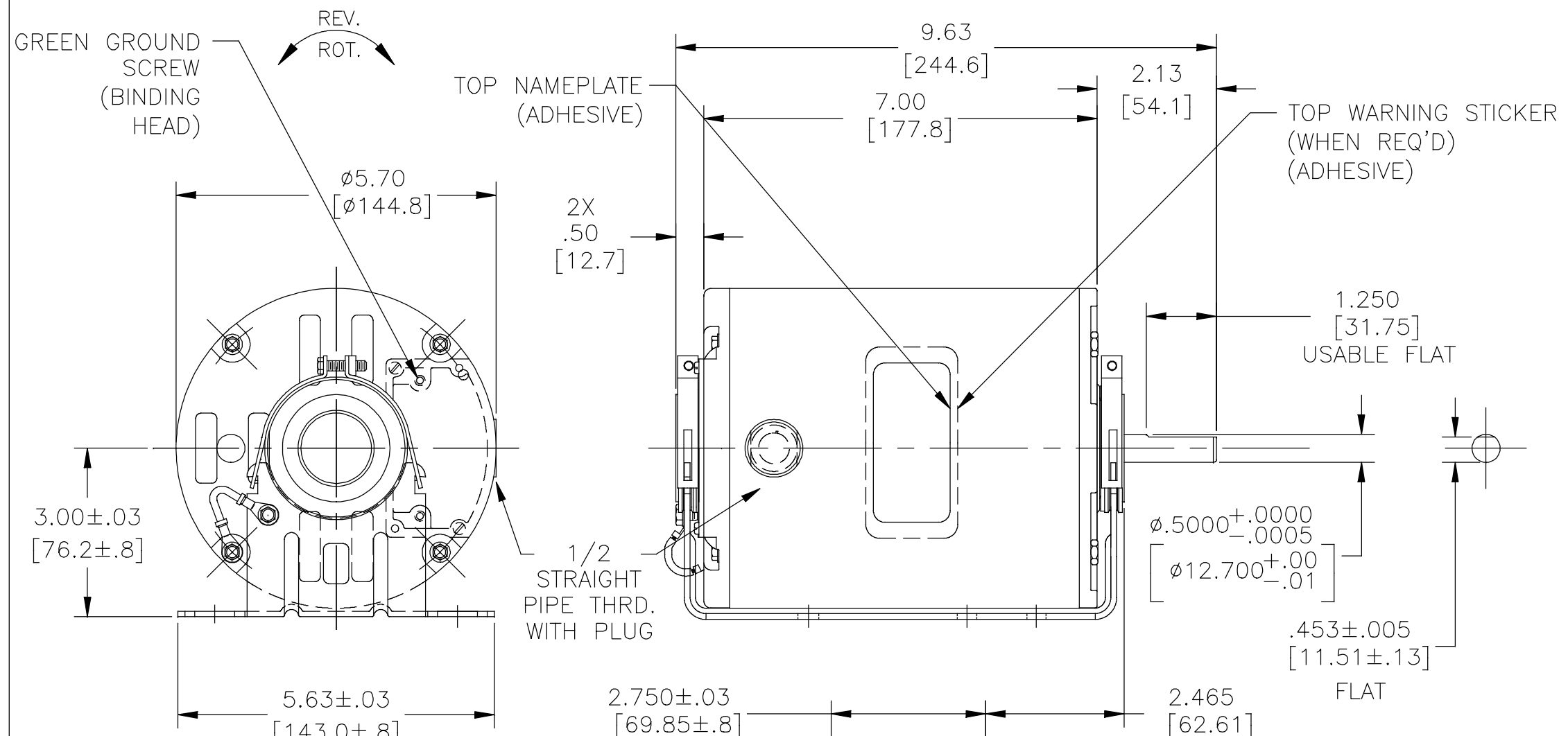
BEARINGS: BALL

MOUNTING POSITION: HORIZONTAL

ELECTRICAL DATA:

LEADS: NO. 18 GA., .06[1.5] THK. PVC 105°C INSUL.

GROUND LEAD: NO. 18 GA., .03[.8] THK. (GREEN) INSUL.



NAMEPLATE DATA:

MODEL NO.: P48AA01A01

CUST. P/N: H264A

HP: 1/3

ROT.: REV

RPM: 1725/1425

TYPE: UP

FRAME: 48Y

VOLTS: 200-230/460

PH: 3

AMPS: 1.1-1.2/0.6

HZ: 60/50

INS.: B

AMB.: 40°C

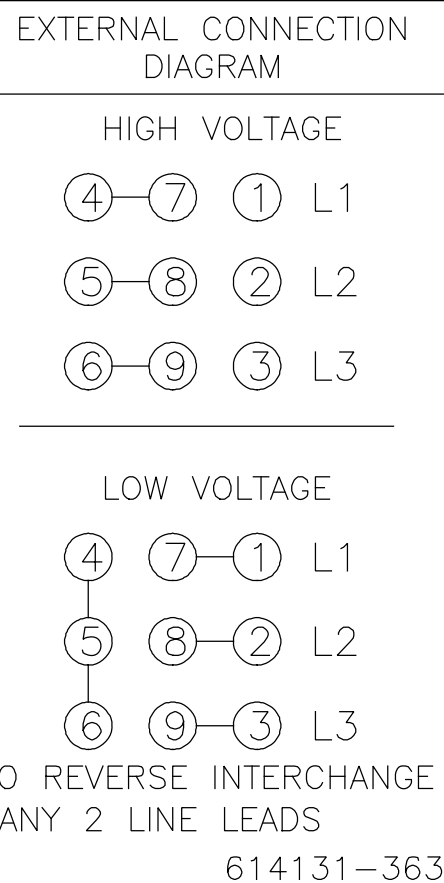
DUTY: CONT

CAP.: -

ENCL: DP

UL LOGO

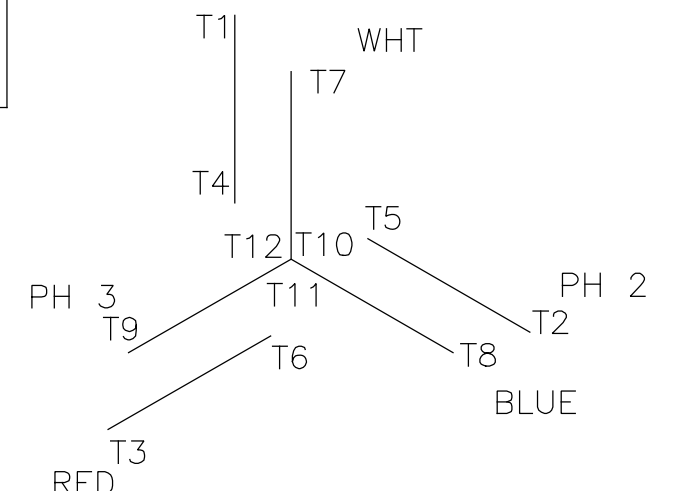
CSA LOGO



- NOTES:
- (1) PLUG 10039801
 - (2) SCREWS 15771401
 - (1) GASKET 24P55-1
 - (1) PLATE 46P132-2 TO BE PUT IN POLY BAG AND SHIPPED SEPARATE WITH EACH MOTOR

RED (T9)	5.0/7.0 [127/178]	.50 [12.7]	SKIN
RED (T6)	5.0/7.0 [127/178]	.50 [12.7]	SKIN
RED (T3)	5.0/7.0 [127/178]	.50 [12.7]	SKIN
BLUE (T8)	5.0/7.0 [127/178]	.50 [12.7]	SKIN
BLUE (T5)	5.0/7.0 [127/178]	.50 [12.7]	SKIN
BLUE (T2)	5.0/7.0 [127/178]	.50 [12.7]	SKIN
WHITE (T7)	5.0/7.0 [127/178]	.50 [12.7]	SKIN
WHITE (T4)	5.0/7.0 [127/178]	.50 [12.7]	SKIN
WHITE (T1)	5.0/7.0 [127/178]	.50 [12.7]	SKIN
COLOR	LENGTH	TERMINAL OR STRIP LENGTH	

MAIN FRAME - OLE	ENCLOSE
END FRAME - OLE	OPEN
MAIN FRAME - LE	ENCLOSE
END FRAME - LE	OPEN



REGAL-BELOIT CORPORATION (RBC) PROVIDES TECHNICAL ASSISTANCE TO OUR CUSTOMERS IN SEVERAL AREAS. SINCE RBC DOES NOT RECEIVE ALL DATA CONCERNING THE USE AND APPLICATION OF THE MOTOR, THE SUITABILITY OF THE MOTOR FOR THE APPLICATION MUST BE DETERMINED BY THE CUSTOMER.

DIMENSIONS WITHOUT TOLERANCES ARE FOR REFERENCE ONLY.

PERFORMANCE CURVE NO.	TORQUE @ 1725 RPM (25°C)	APPROVED SAMPLE	UL COMPONENT FILE #	CCN #	CSA FILE #	CLASS #
C32714	21.9 OZ. FT.	0604297B	E46412	PRGY2	LR43341	4211-01

LEAD DATA

DRAWING REVISION	REVISION BY	DATE
H	JASMINE.ZHU	12-26-2018
ECO	APPROVED BY	DATE
ECO-0158919	Tricia Niederholtmeyer	12-26-2018
ECO DESCRIPTION	SEE ECO	

REGAL-BELOIT CORPORATION (RBC) PROVIDES TECHNICAL ASSISTANCE TO OUR CUSTOMERS IN SEVERAL AREAS. SINCE RBC DOES NOT RECEIVE ALL DATA CONCERNING THE USE AND APPLICATION OF THE MOTOR, THE SUITABILITY OF THE MOTOR FOR THE APPLICATION MUST BE DETERMINED BY THE CUSTOMER.

TOLERANCES UNLESS OTHERWISE SPECIFIED

DEC.	INCH	mm	ANGLE
.X	±0.1	[±2.5]	±0.5°
.XX	±0.02	[±0.51]	
.XXX	±0.005	[±0.127]	
.XXXX	±0.0005	[±0.0127]	

REMOVE BURRS & BREAK SHARP EDGES .003/.015 [0.076/.381]

CORNER FILLETS .02 [51]

MACHINED SURFACES 125/INCH 3/2

mm SHOWN IN [BRACKETS]

DRAWN BY: BESPINOZA

DATE: 02-09-2012

APPROVED BY: S.JIMENEZ

DATE: 02-09-2012

REFERENCE

THIRD ANGLE PROJECTION

REGAL™ Regal Beloit America, Inc.

DESCRIPTION: MODEL-RFHP-48FR OUTLINE

MATERIAL: H264A

PROCESS/FINISH: C

SIZE DWG NO: H264A

SHEET: 1