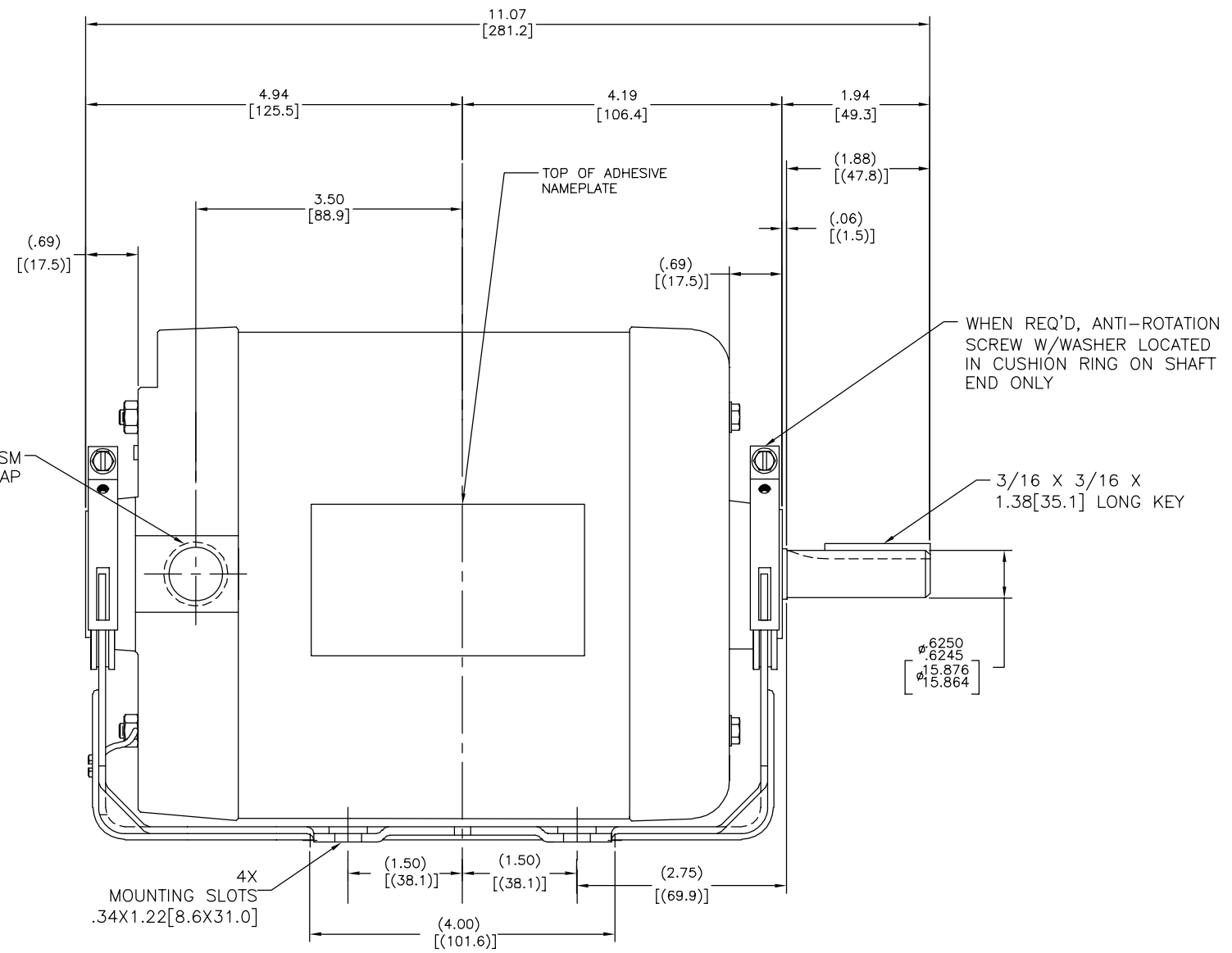
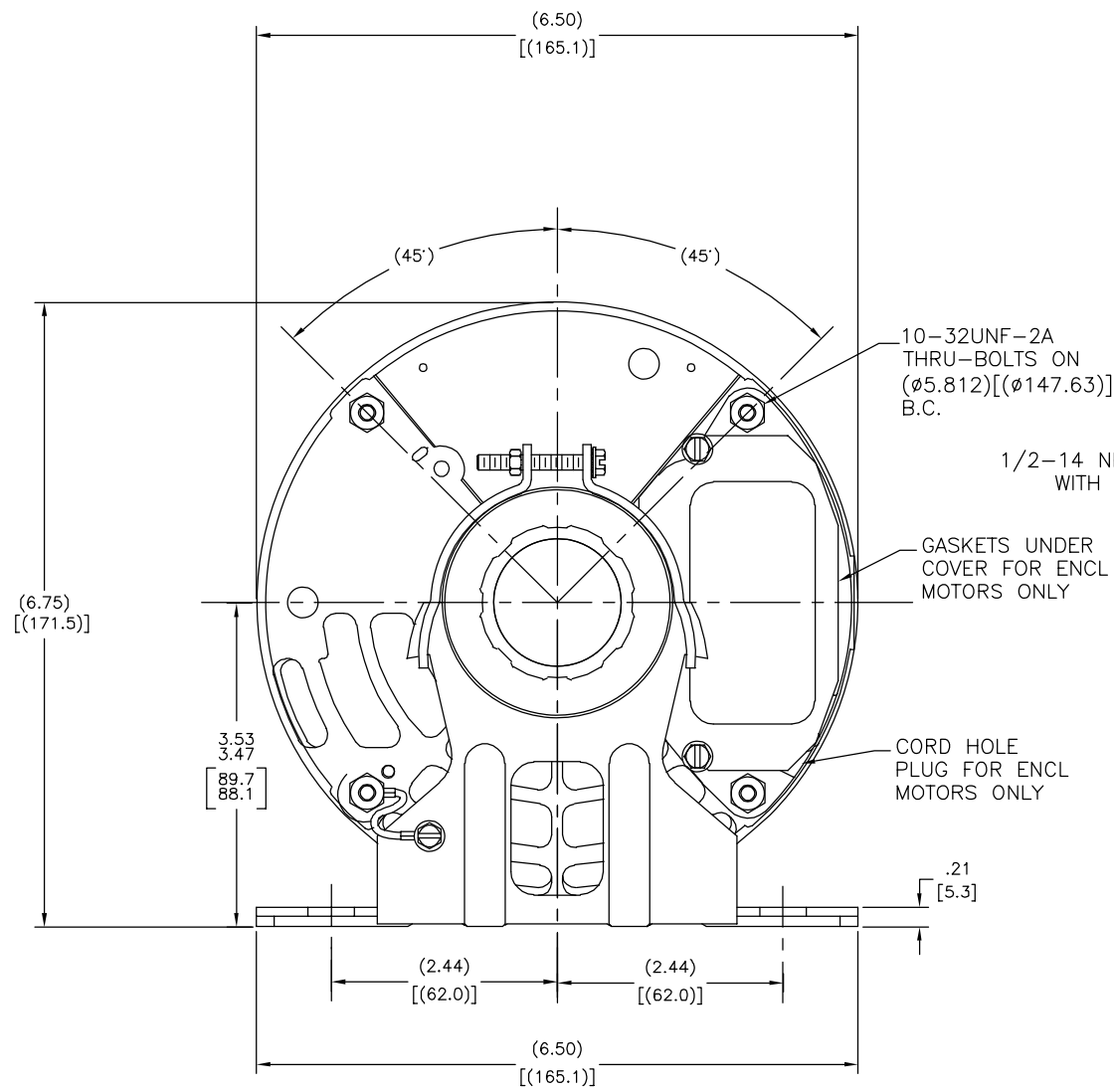


REV	ECO	REV BY	DATE	APPD	DATE
B	0025408	F.NAVARRO	04-17-2012	R.RASCON	04-17-2012



ALL DIMENSIONS SHOWN IN PARENTHESIS ARE REFERENCE DIMENSIONS. ALL OTHER DIMENSIONS ARE TOLERANCED PER THE FOLLOWING CHART UNLESS OTHERWISE SPECIFIED.

OVERALL DIMENSION = +/- .055 [1.40]
 SHAFT EXTENSION = +/- .034 [.86]
 LEAD LENGTHS = +/- 1.00 [25.4]
 EXTENDED THRU-BOLTS = +/- .050 [1.27]
 ANGULAR DIMENSIONS = +/- 2°

GEOMETRIC CHARACTERISTICS & SYMBOLS

- STRAIGHTNESS
- ∠ ANGULARITY
- ⊥ PERPENDICULARITY (SQUARENESS)
- ∥ PARALLELISM
- ROUNDNESS (CIRCULARITY)
- ⊘ CYLINDRICITY
- △ PROFILE OF ANY SURFACE
- ∩ PROFILE OF ANY LINE
- ⊕ ROUNDT
- ⊕ TRUE POSITION
- ⊙ CONCENTRICITY
- ∩ SYMMETRY

ASME Y14.5M 1994

UNLESS OTHERWISE SPECIFIED DIM. TOLERANCES ARE AS FOLLOWS:

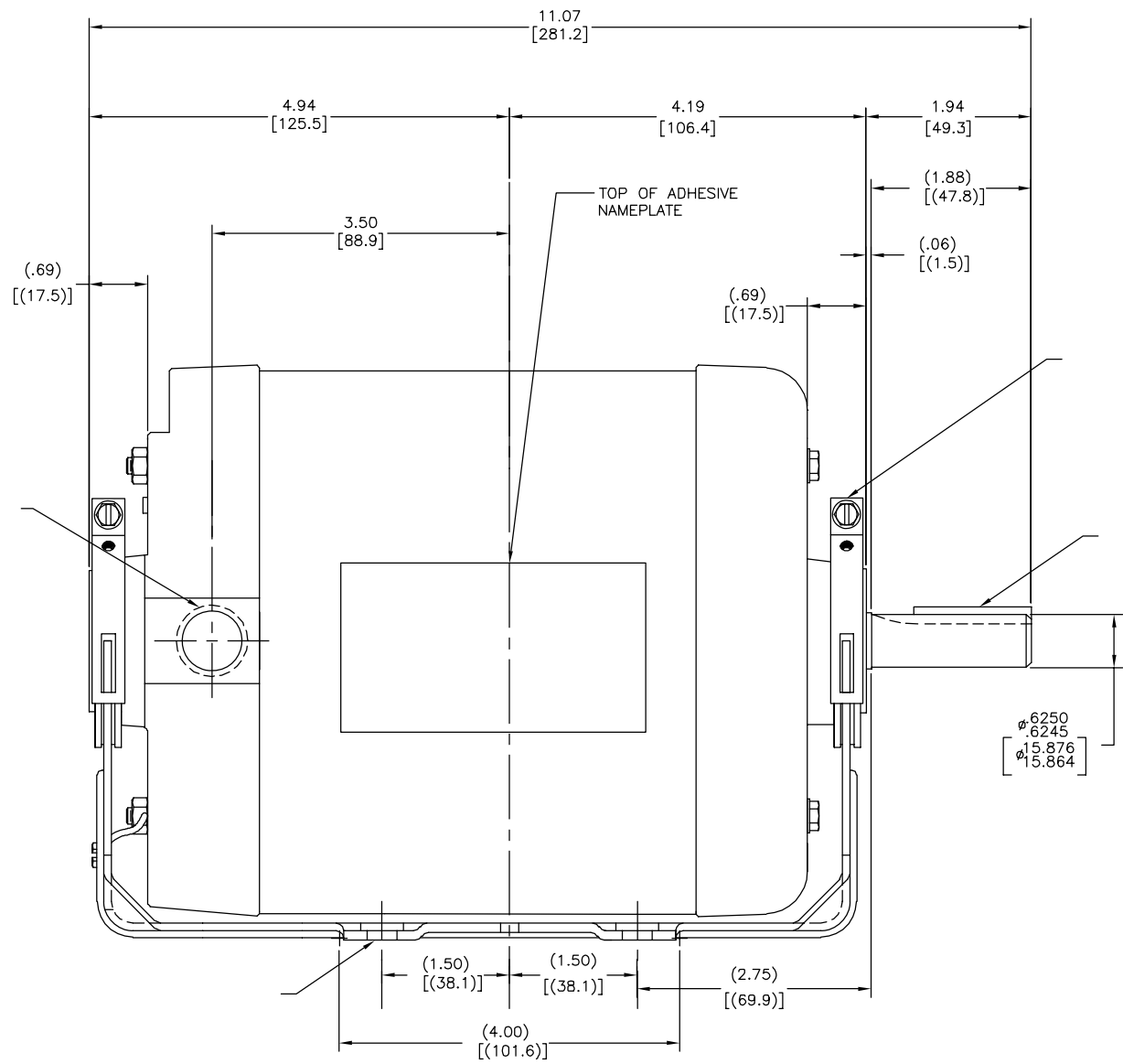
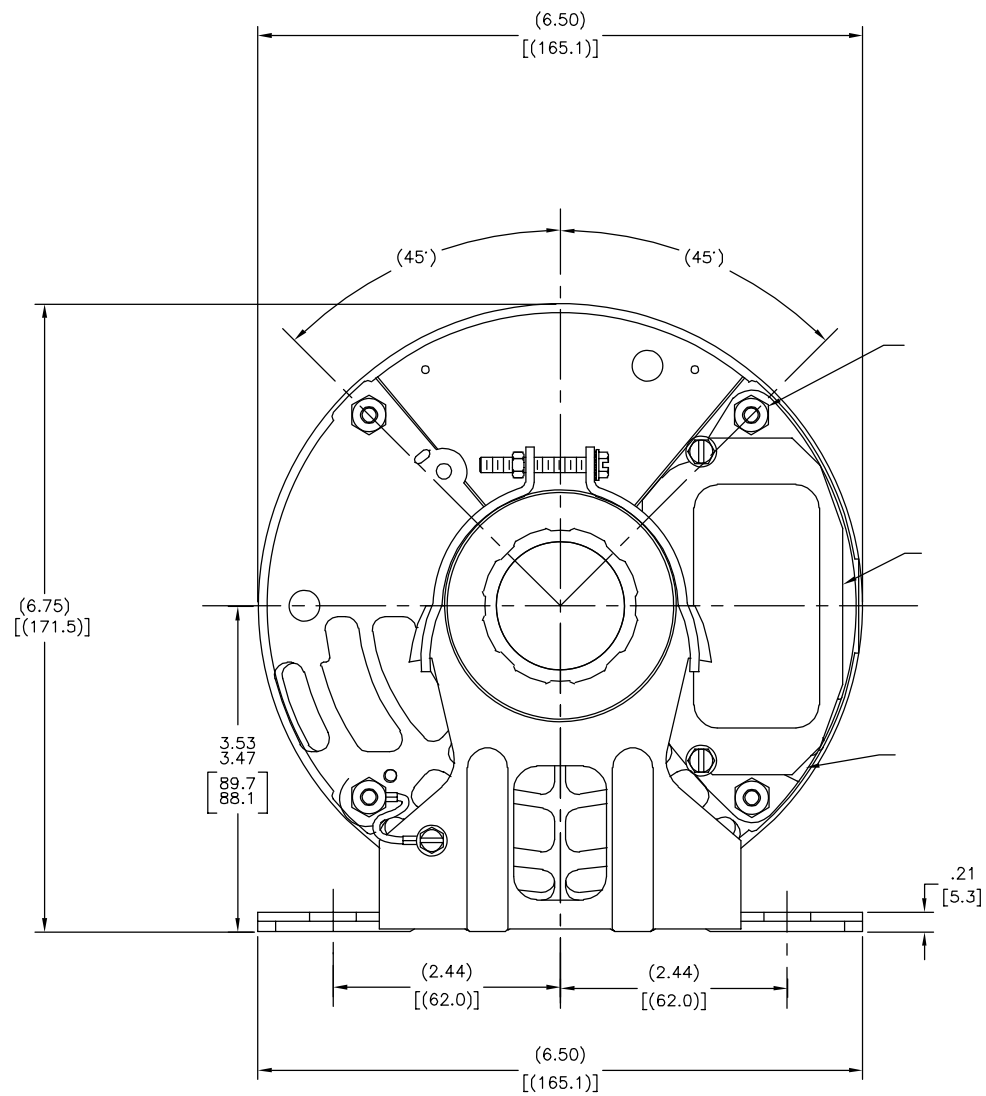
INCH	±.1	±.02	±.005	±.0005
mm	±0.5	±0.13	±0.013	

ANG. ±.50 DEG
 REMOVE BURRS & BREAK SHARP EDGES:
 INCH .003-.015 mm 0.1-0.4
 CORNER FILLETS TO:
 INCH .020 mm 0.5
 MACHINE SURFACES:
 INCH 125 mm 3.2
 METRIC DIMS. SHOWN IN [BRACKETS]

DR BY:	PZ	08-28-2010
APPD:	WS	08-28-2010
THIRD ANGLE PROJECTION		EDS DATE 11-11-2011 FORMAT REV G
CONFIDENTIAL: THIS DRAWING AND ITS INFORMATION ARE THE EXCLUSIVE AND CONFIDENTIAL PROPERTY OF REGAL-BELOIT CORPORATION AND ARE NOT TO BE DISCLOSED, DUPLICATED, DISTRIBUTED OR OTHERWISE USED WITHOUT THE WRITTEN CONSENT OF REGAL-BELOIT CORPORATION. -ALL RIGHTS RESERVED.		

DESCRIPTION	OUTLINE
SIZE	D
DWG NO	H262V2
SCALE	NONE
SHEET	1

REVISION:	ECO	REVISADO POR:	F.NAVARRO	FECHA:	04-17-2012	APROBADO POR:	R.RASCON	FECHA:	04-17-2012
B	0025408								

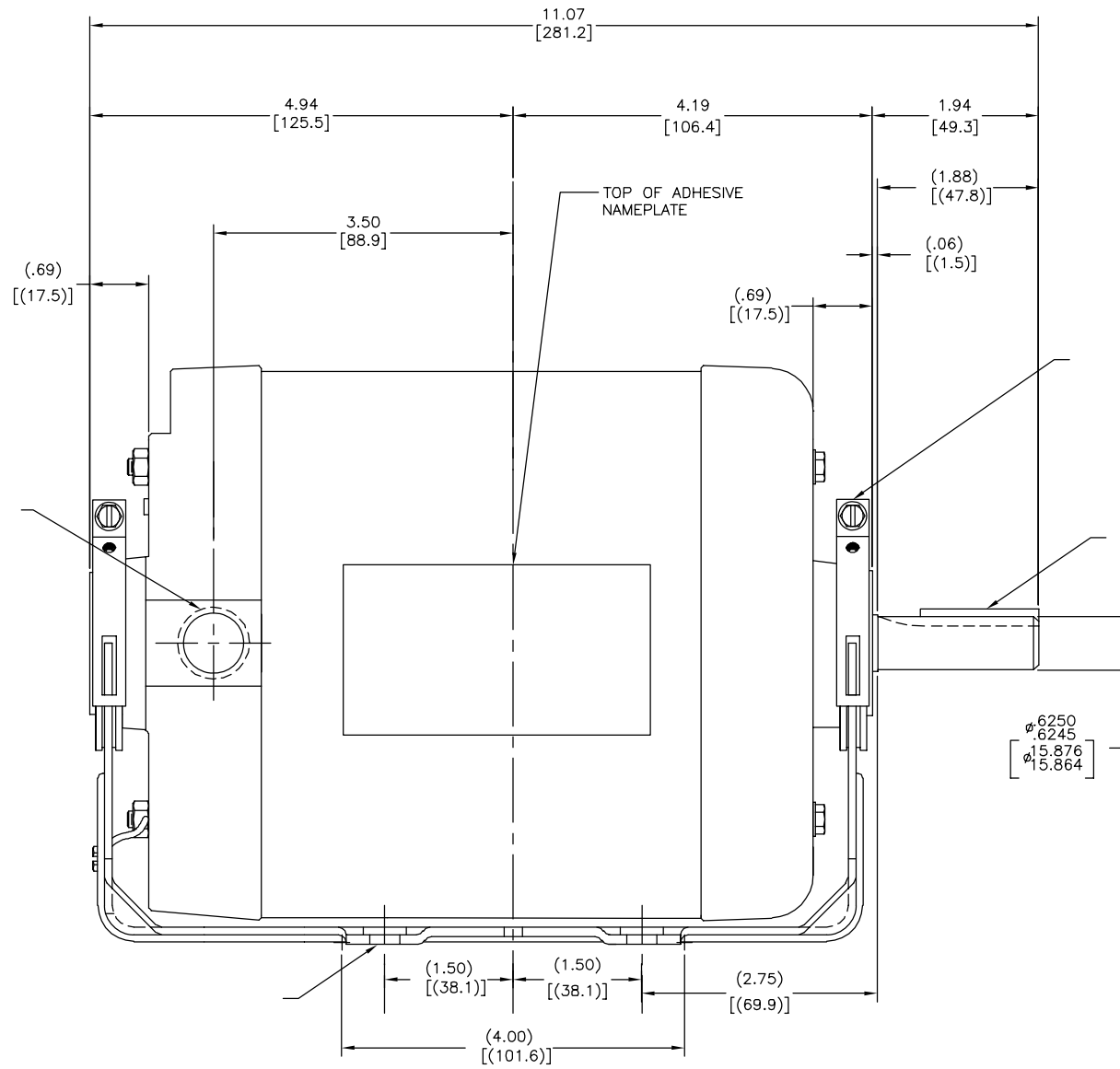
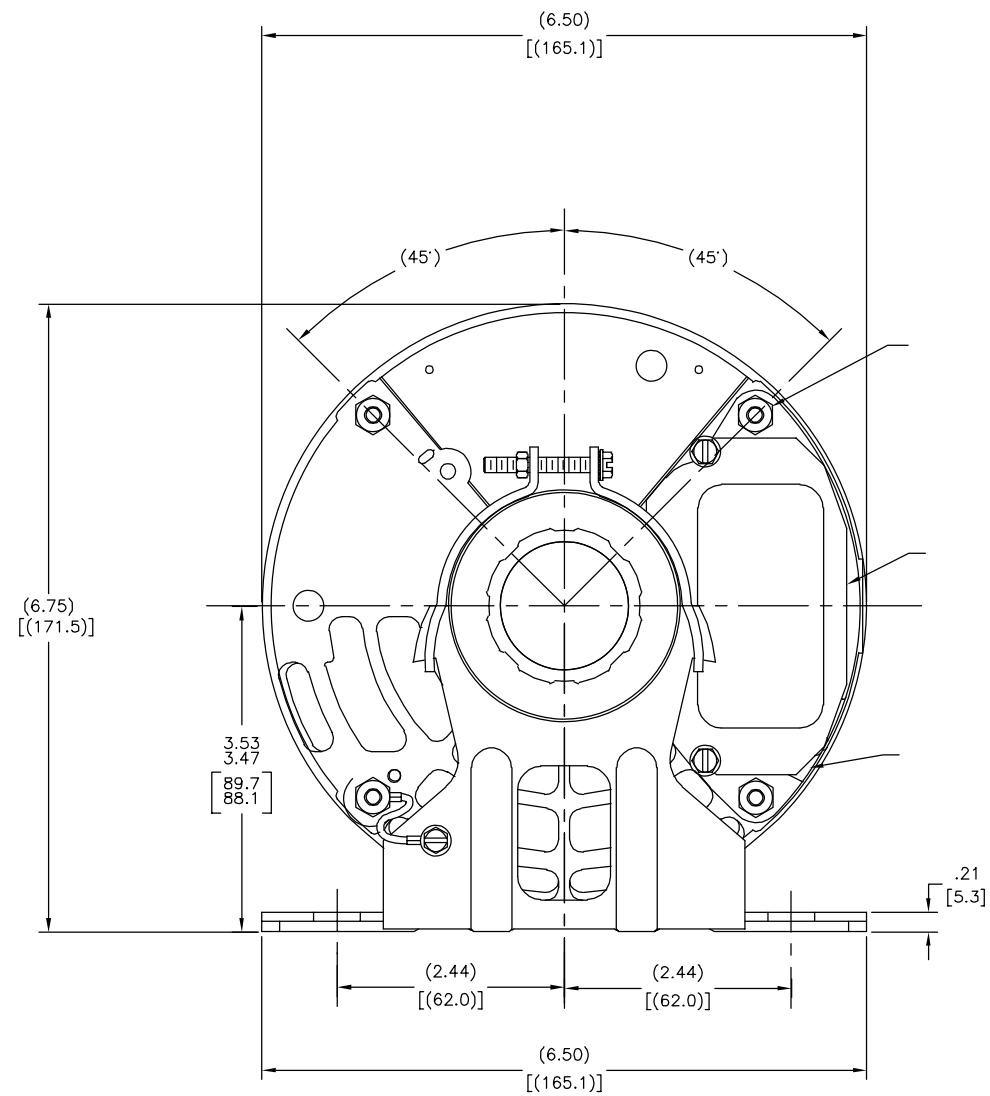


- = +/- .055 [1.40]
- = +/- .034 [.86]
- = +/- 1.00 [25.4]
- = +/- .050 [1.27]
- = +/- 2'

CARACTERÍSTICAS DE GEOMETRÍA Y SIMBOLOS: ▽ PLANICIDAD — RECTITUD ∠ ANGULARIDAD ⊥ PERPENDICULARIDAD (A ESQUADRA) // PARALELISMO ○ REDONDEZ (CIRCULARIDAD) ∅ CILINDRICIDAD ∩ PERFIL DE CUALQUIER SUPERFICIE ∪ PERFIL DE CUALQUIER LINEA * VARIACION ⊕ POSICION REAL ⊙ CONCENTRICIDAD = SIMETRIA	A MENOS QUE SE ESPECIFIQUE DE OTRA MANERA, LAS TOLERANCIAS DE LAS DIMS, SON LAS SIGUIENTES: PULG ±.1 ±.02 ±.005 ±.0005 mm ±0.5 ±0.13 ±0.013 ANG. ±.50 GRADOS ELIMINAR REBABAS Y ORILLAS FILOSAS DEL BORDE. PULG .003-.015 mm 0.1-0.4 FILETEAR ESQUINA: PULG .020 mm 0.5 MAQUINAR SUPERFICIES PULG 125 mm 3.2 DIMS METRICAS MOSTRADAS [PARENTESIS]	DIBUJADO POR: PZ	08-28-2010	DESCRIPCION: OUTLINE
		APROBADO POR: WS	08-28-2010	
		TERCER ANGULO DE PROYECCION	FECHA EDS: 11-11-2011 REV. FORMATO: G	TAMAÑO: D
				NUMERO DE DIBUJO: H262V2
				ESCALA: NONE
				HOJA: 1



版本	ECO	编制	日期	批准	日期
B	0025408	F.NAVARRO	04-17-2012	R.RASCON	04-17-2012



- = +/- .055 [1.40]
- = +/- .034 [.86]
- = +/- 1.00 [25.4]
- = +/- .050 [1.27]
- = +/- 2'

形位公差 □ 平面度 — 直线度 / 倾斜度 ⊥ 垂直度 // 平行度 ○ 圆度 ⊘ 圆柱度 ⌒ 面轮廓度 ⌒ 线轮廓度 ⊙ 圆跳动 ⊙ 位置度 ⊙ 同轴度 = 对称度	除另有注明 尺寸公差如下: 英寸 X XX XXX XXXX 毫米 ±.1 ±.02 ±.005 ±.0005 ±0.5 ±0.13 ±0.013 角度 ±.50 度 清理毛刺和尖棱 英寸 .003-.015 毫米 0.1-0.4 内圆角 英寸 .020 毫米 0.5 表面粗糙度 英制 125 米制 3.2 米制尺寸显示在 []	绘图: PZ	08-28-2010	 名称 OUTLINE 图号 H262V2 比例 NONE 页号 1
		批准: WS	08-28-2010	
第三角投影 图框格式版本 G 机密: 本图纸及相关信息所有权归REGAL-BELOIT CORPORATION. 未经REGAL-BELOIT CORPORATION书面授权, 不得泄露、复制、传播或作其他用途。—版权所有				

ASME Y14.5M 1994