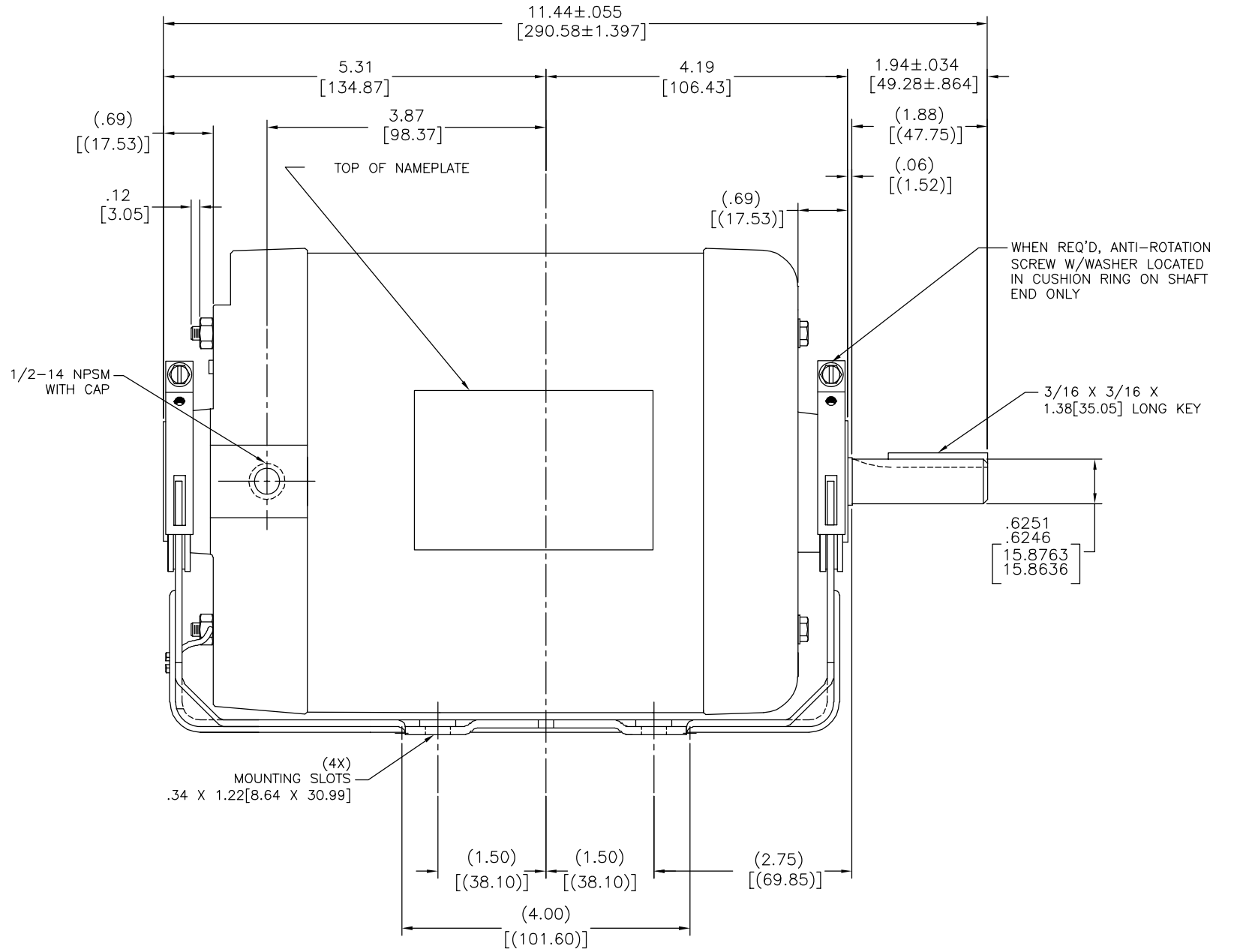
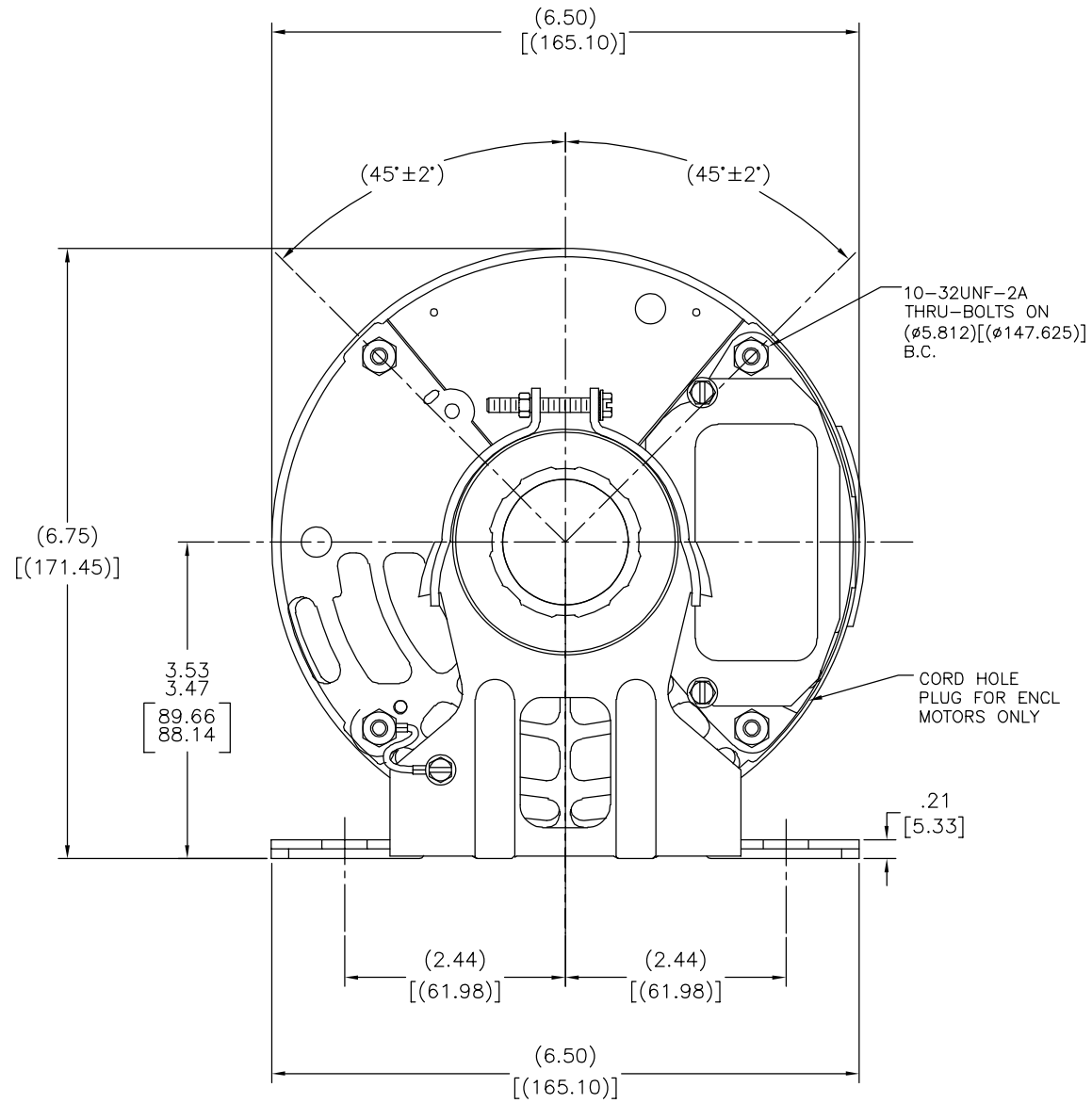


ALL DIMENSIONS SHOWN IN PARENTHESIS ARE REFERENCE DIMENSIONS.



DRAWING REVISION	REVISION BY	DATE	TOLERANCES UNLESS OTHERWISE SPECIFIED	DRAWN BY:	Regal Beloit America, Inc.
C	D.MENDOZA	05-16-2014	INCH	Y.IJU	
ECO-0051163	APPROVED BY	DATE	.XX ±0.1 (±0.25) ±0.5	DATE:	10-08-2011
ECO DESCRIPTION	F.PAYAN	05-16-2014	.XXX ±0.02 (±0.41)	APPROVED BY:	M.JE
SBI ON DESCRIPTION ZONE A1 CHANGED			.XXXX ±0.005 (±0.127)	DATE:	10-08-2011
			.XXXXX ±0.0005 (±0.0127)	PROCESS/FINISH	
			REMOVE BURRS & BREAK SHARP EDGES .003/.015 (.076/.381)	MATERIAL	
			CORNER FILLETS .02 (.51)	SIZE DWG NO	H941L
			MACHINED SURFACES .125 (3.175) INCH (3.175) INCH	THIRD ANGLE PROJECTION	
			MM SHOWN IN BRACKETS!		SHEET 1