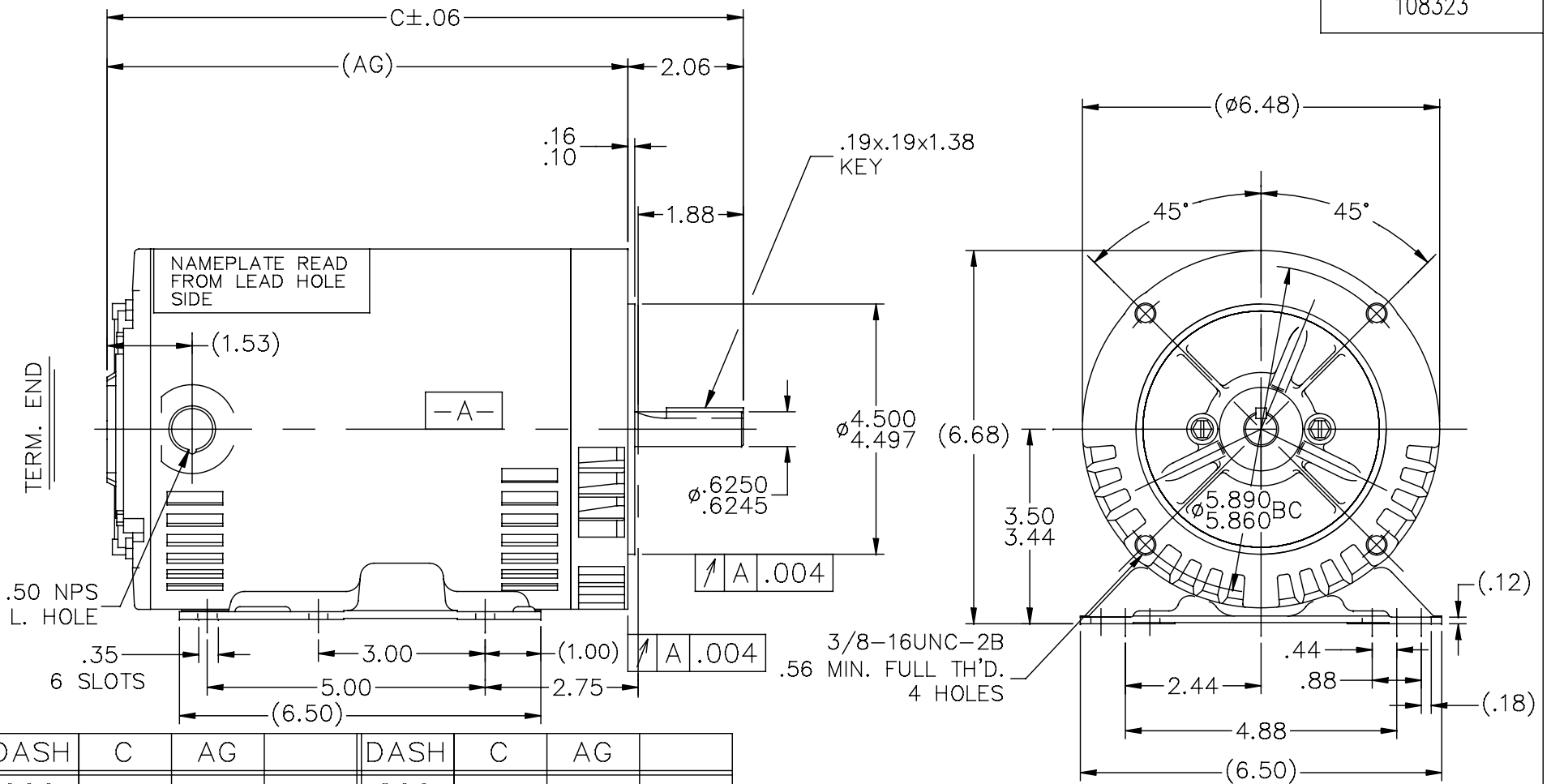


108323



DASH	C	AG		DASH	C	AG
606	9.94	7.87		806	11.94	9.87
656	10.44	8.37		856	12.44	10.37
706	10.94	8.87		906	12.94	10.87
756	11.44	9.37		956	13.44	11.37

				TOLERANCES UNLESS SPECIFIED		Regal Beloit America, Inc.	DRAWN SM 8/12/2015	
				DEC.	INCHES		CHK SM 8/12/2015	
				.X	±.1	TITLE OUTLINE 56H FR. - BB - DR. PR. - 'C' FACE - 3Ø MAT'L. FINISH	APPD	
				.XX	±.03		SCALE 3=8	
				.XXX	±.005		REF 108253	
				.XXXX	±.0005		FMF 05617D15944	
A	NEW DRAWING		SM	8/12/2015	SM	.XXXX	±.0005	PREV
NO.	REVISION		BY & DATE	CHK	ANG	±7'30"		
THIS DRAWING IN DESIGN AND DETAIL IS OUR PROPERTY AND MUST NOT BE USED EXCEPT IN CONNECTION WITH OUR WORK ALL RIGHTS OF DESIGN AND INVENTION ARE RESERVED THIS IS AN ELECTRONICALLY GENERATED DOCUMENT - DO NOT SCALE THIS PRINT				RFP	CAD FILE 108323		SIZE	DRAWING NO. PAGE OF REV.
				DIST	WP	A		108323 A