

OUR PART NO. K108

CUSTOMER PART NO.

ADDRESS

ORDER NO. ~~XXXX~~

CUSTOMER ASSY. NO.

DATE 3-28-58

DRAWN BY E.P.S.

DESCRIPTION SLEEVE

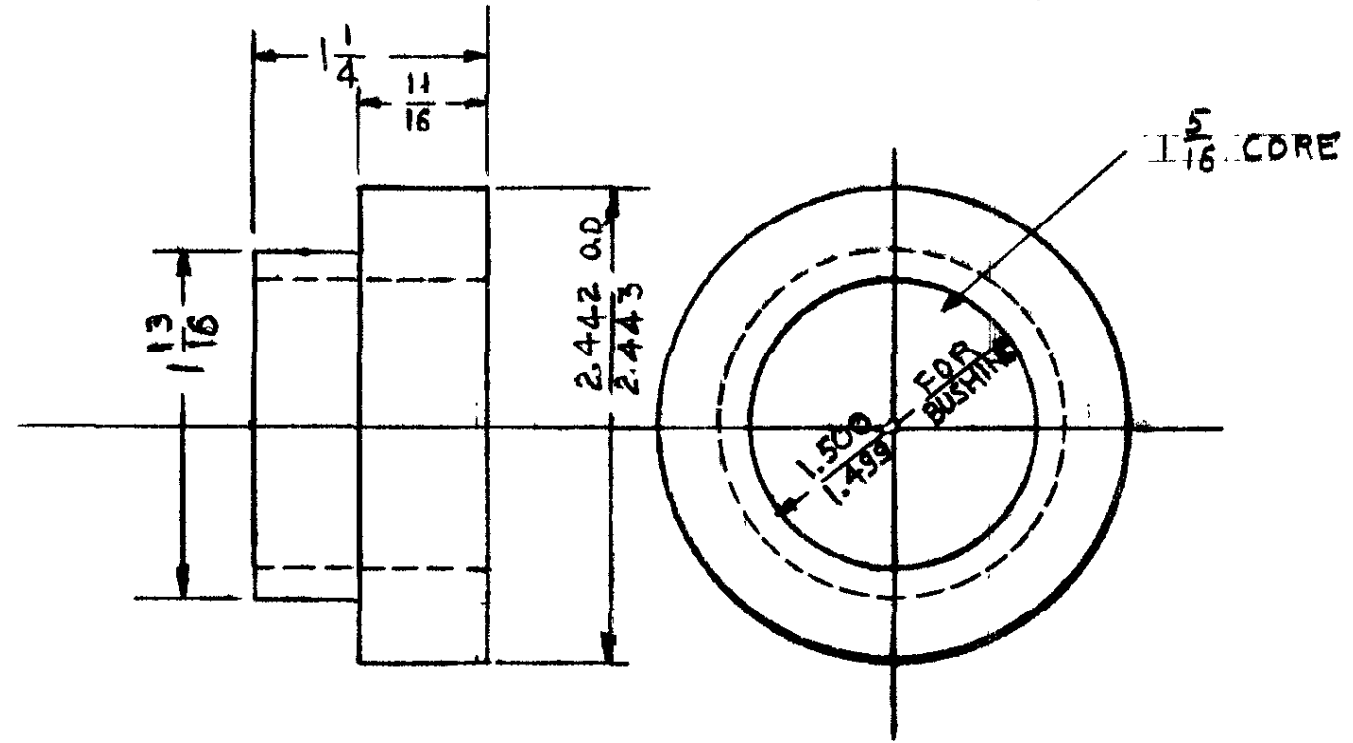
SCALE FULL

CHECKED BY

MATERIAL CAST IRON

NO. REG.

Durst Foundry & Machine Works, Inc.  
ROUTE 1 BELOIT, WIS.



$\frac{3}{32}$  FINISH ALL OVER