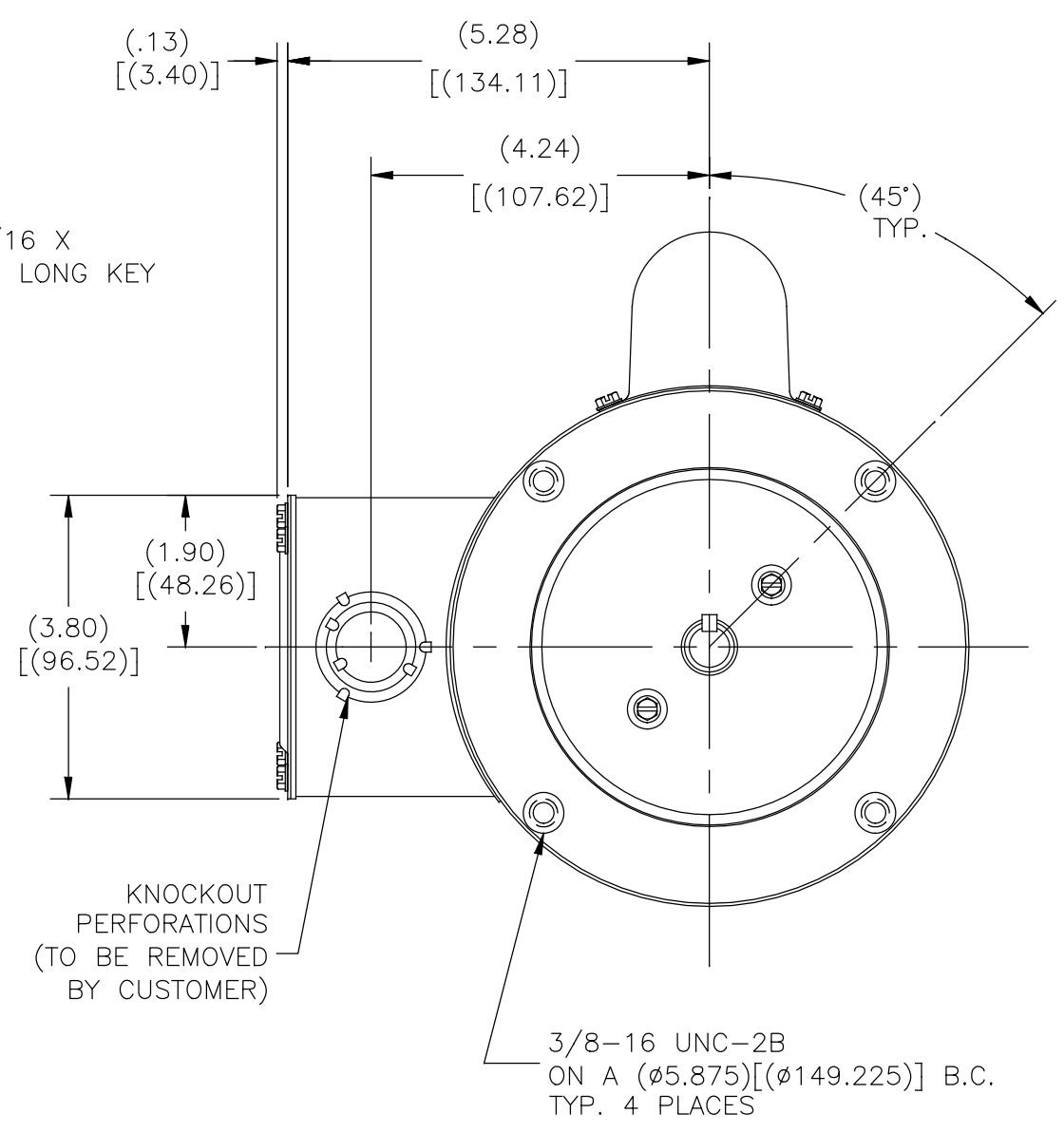
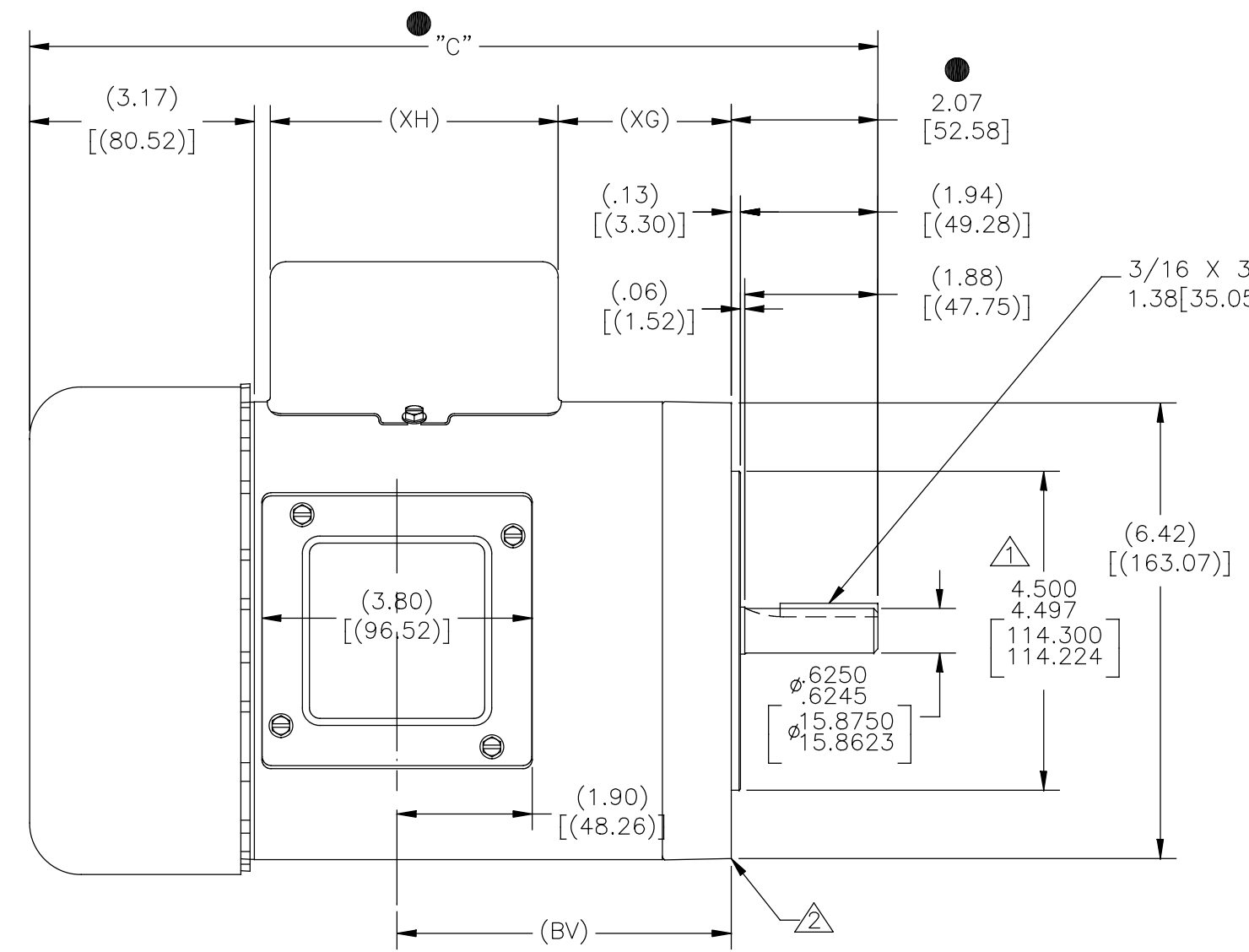
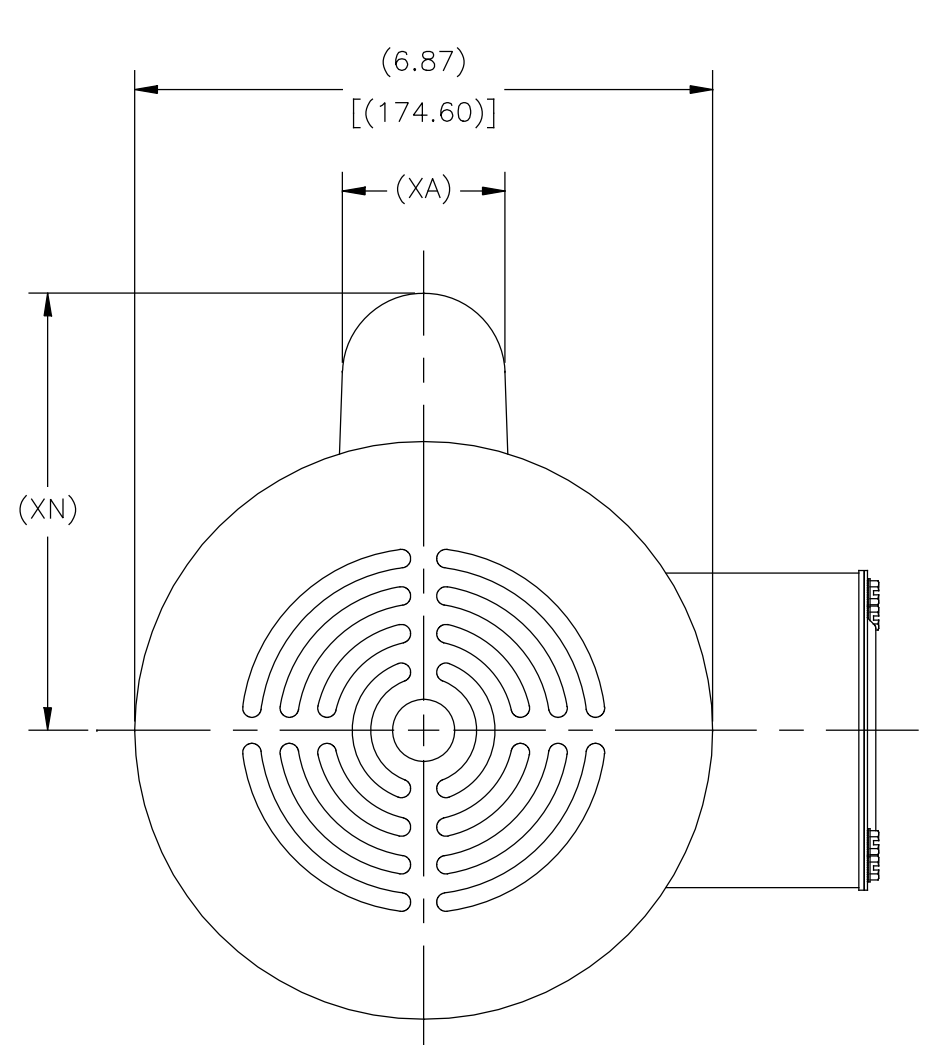


GROUP	TYPE	FRAME	"C"	(BV)	(XA)	(XG)	(XH)	(XN)
-01	CS	J56C	11.34 [288.04]	4.09 [103.89]	1.64 [41.66]	1.81 [45.97]	4.08 [103.63]	4.87 [123.70]
-06	CS	M56C	12.96 [329.18]	5.71 [145.03]	2.01 [51.05]	3.44 [87.38]	4.06 [103.12]	5.20 [132.08]
-07	CS	G56C	12.21 [310.13]	4.96 [125.98]	2.01 [51.05]	2.69 [68.33]	4.06 [103.12]	5.20 [132.08]
-08	CS	T56C	12.71 [322.83]	5.46 [138.68]	2.01 [51.05]	3.19 [81.03]	4.06 [103.12]	5.20 [132.08]

- NOTES:
- ▲ PILOT DIAMETER IS CONCENTRIC WITH SHAFT CENTERLINE WITHIN .004[.102] T.I.R.
  - ▲ FACE OF MOUNTING FLANGE IS PERPENDICULAR TO SHAFT CENTERLINE WITHIN .004[.102] T.I.R.
  - SHAFT RUNOUT NOT TO EXCEED .002[.051] T.I.R.
  - END PLAY NOT TO EXCEED .010[.254] MEASURED WITH NO THRUST.
  - = CRITICAL DIMENSION

ALL DIMENSIONS SHOWN IN PARENTHESIS ARE REFERENCE DIMENSIONS. ALL OTHER DIMENSIONS ARE TOLERANCED PER THE FOLLOWING CHART UNLESS OTHERWISE SPECIFIED.

"C" DIM. = ±.055[1.397]  
 SHAFT EXT. = ±.034[.864]  
 LEAD LENGTHS = ±1.00[25.40]  
 EXTENDED THRU BOLTS = ±.050[1.270]  
 ANGULAR DIMS. = ±2°



DRAWING REVISION E	REVISION BY A.BAUGHMAN	DATE 04-10-2017	TOLERANCES UNLESS OTHERWISE SPECIFIED	DRAWN BY: D.HOLT	Regal Beloit America, Inc.
ECO ECO-0106390	APPROVED BY A.BAUGHMAN	DATE 04-10-2017	DEC. INCH mm ANGLE .X ±0.1 [±2.5] ±0.5° .XX ±0.02 [±0.51] .XXX ±0.005 [±0.127] .XXXX ±0.0005 [±0.0127]	DATE: 02-29-2000	
ECO DESCRIPTION UPDATED TO NEW REGAL TITLEBLOCK			REMOVE BURRS & BREAK SHARP EDGES .003/.015 [0.076/.381] X 45° CORNER FILLETS R.02 [51] MACHINED SURFACES 125/3.2 INCH/mm	APPROVED BY:	DESCRIPTION MODEL-CFHP-56FR OUTLINE
<small>COPYRIGHT REGAL BELOIT AMERICA, INC. ALL RIGHTS RESERVED. PROPRIETARY AND CONFIDENTIAL INFORMATION - THIS DOCUMENT IS THE PROPERTY OF REGAL BELOIT AMERICA, INC. (OWNER) AND CONTAINS OWNER'S PROPRIETARY INFORMATION. ANY PERSON, CORPORATION OR OTHER FIRM RECEIVING IT IS DEEMED, BY RECEIVING IT, TO AGREE THAT IT, AND/OR ANY PART OF IT, SHALL NOT BE DISCLOSED TO ANY PERSON, CORPORATION OR OTHER ENTITY, DUPLICATED, AND/OR USED, EXCEPT AS EXPRESSLY APPROVED IN WRITING IN ADVANCE BY OWNER. THIS DOCUMENT SHALL BE RETURNED TO OWNER UPON REQUEST. IT MAY BE SUBJECT TO CERTAIN RESTRICTIONS UNDER APPLICABLE EXPORT CONTROL LAWS AND REGULATIONS.</small>			THIRD ANGLE PROJECTION	DATE:	MATERIAL
			mm SHOWN IN [BRACKETS]	REFERENCE	PROCESS/FINISH
				SIZE DWG NO C 195125	SHEET 1