

4

3

2

1

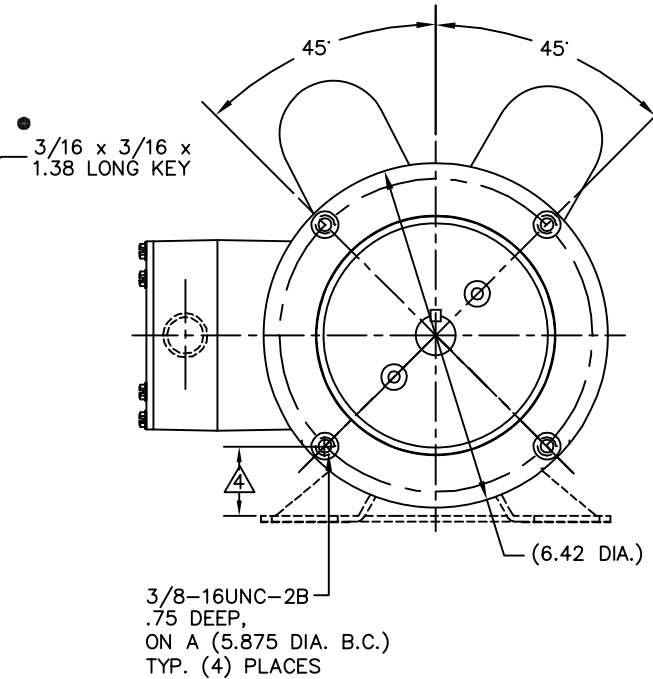
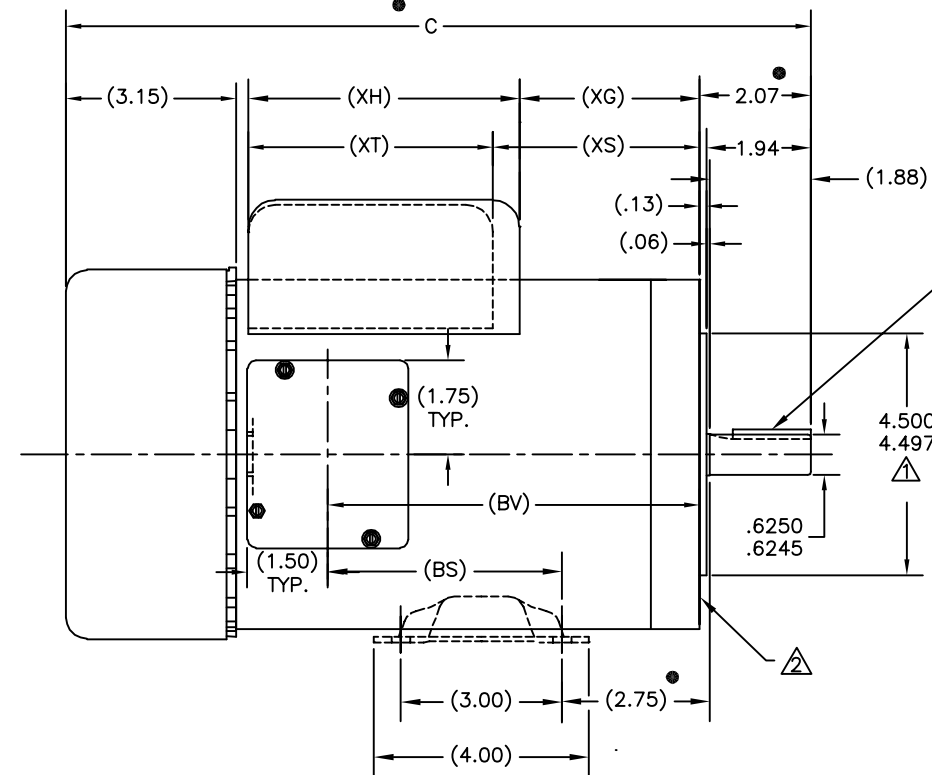
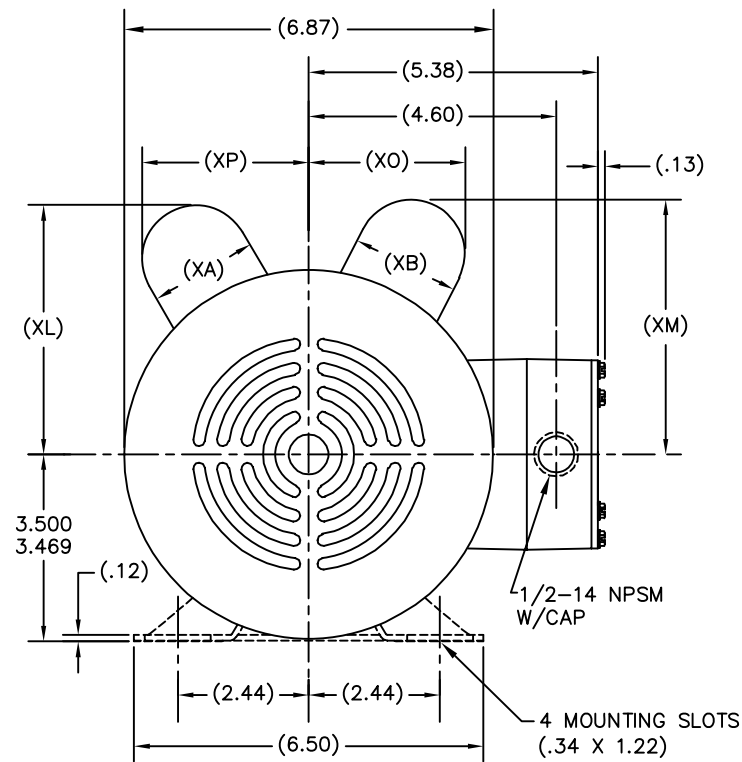
| REV | DATE       | ECN      | DESCRIPTION              | REV BY | APPD |
|-----|------------|----------|--------------------------|--------|------|
| 3   | 1999/04/28 | OOM09046 | ADDED GROUPS -03 AND -04 | kimdav |      |

| GRP | TYPE | FRAME | C     | (BV) | (BS) | (XA) | (XB) | (XG) | (XH) | (XS) | (XT) | (XL) | (XM) | (XO) | (XP) |
|-----|------|-------|-------|------|------|------|------|------|------|------|------|------|------|------|------|
| -01 | CP   | T56C  | 12.69 | 5.77 | —    | 2.01 | 2.01 | 2.26 | 5.06 | 2.26 | 5.06 | 4.64 | 4.65 | 3.10 | 3.09 |
|     | CP   | T56J  | 13.19 | 5.77 | —    | 2.01 | 2.01 | 2.26 | 5.06 | 2.26 | 5.06 | 4.64 | 4.65 | 3.10 | 3.09 |
| -02 | CP   | X56C  | 13.69 | 6.77 | 4.15 | 2.01 | 2.01 | 3.26 | 5.06 | 3.26 | 5.06 | 4.64 | 4.65 | 3.10 | 3.09 |
|     | CP   | X56J  | 14.19 | 6.77 | —    | 2.01 | 2.01 | 3.26 | 5.06 | 3.26 | 5.06 | 4.64 | 4.65 | 3.10 | 3.09 |
| -03 | CP   | P56C  | 14.19 | 7.27 | —    | 2.01 | 2.27 | 3.44 | 5.30 | 3.69 | 5.06 | 4.64 | 4.92 | 3.32 | 3.09 |
|     | CP   | P56J  | 14.69 | 7.27 | —    | 2.01 | 2.27 | 3.44 | 5.30 | 3.69 | 5.06 | 4.64 | 4.92 | 3.32 | 3.09 |
| -04 | CP   | R56C  | 14.94 | 8.02 | —    | 2.01 | 2.27 | 4.19 | 5.30 | 4.44 | 5.06 | 4.64 | 4.92 | 3.32 | 3.09 |
|     | CP   | R56J  | 15.44 | 8.02 | —    | 2.01 | 2.27 | 4.19 | 5.30 | 4.44 | 5.06 | 4.64 | 4.92 | 3.32 | 3.09 |

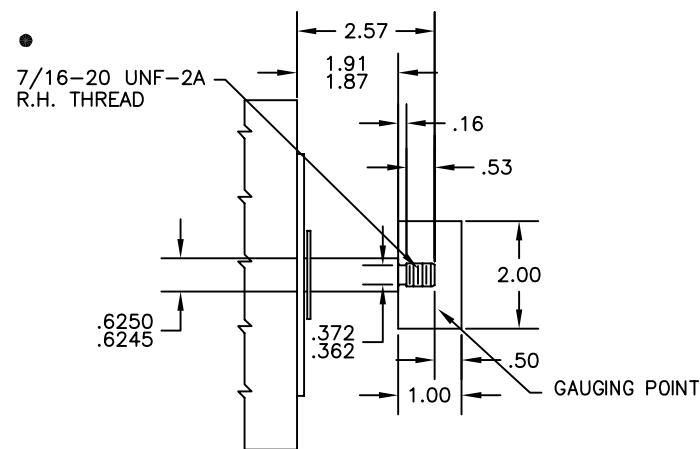
ALL DIMENSIONS SHOWN IN PARENTHESIS ARE REFERENCE DIMENSIONS. ALL OTHER DIMENSIONS ARE TOLERANCED PER THE FOLLOWING CHART UNLESS OTHERWISE SPECIFIED.

"C" DIM. = +/- .055  
 SHAFT EXT. = +/- .034  
 LEAD LENGTHS = +/- 1.00  
 EXTENDED THRU-BOLTS = +/- .050  
 ANGULAR DIMS. = +/- 2 DEGS.

56C SHAFT EXTENSION



56J SHAFT EXTENSION (JET PUMP)



NOTES:

- 1 PILOT DIAMETER IS CONCENTRIC WITH SHAFT CENTERLINE WITHIN .004 T.I.R.
- 2 FACE OF MOUNTING FLANGE IS PERPENDICULAR TO SHAFT CENTERLINE WITHIN .004 T.I.R.
- 3 SHAFT RUNOUT NOT TO EXCEED .002 T.I.R.
- 4 FOR RIGID BASE ONLY: THE 2 BOTTOM HOLES IN THE MOUNTING FLANGE ARE PARALLEL FROM THE BOTTOM OF THE FEET WITHIN .030
- 5 END PLAY NOT TO EXCEED .010 MEASURED WITH NO THRUST

● = CRITICAL DIM.

|                |   |                        |  |
|----------------|---|------------------------|--|
| AUTOCAD FORM 3 | UNLESS OTHERWISE SPECIFIED DIM ARE IN INCHES<br>.X = ± .1<br>.XX = ± .02<br>.XXX = ± .005<br>.XXXX = ± .0005<br>ANG = ± .5  | DR BY: RSH 1997/12/01  | MagneTek<br>1181 CORPORATE LAKE DRIVE<br>ST. LOUIS, MISSOURI 63132 |
|                | THE INFORMATION HEREON IS THE PROPERTY OF MAGNETEK INC. AND/OR ITS SUBSIDIARIES. WITHOUT WRITTEN PERMISSION, ANY COPYING, TRANSMITTAL TO OTHERS, AND ANY USE EXCEPT THAT FOR WHICH IT IS LOANED, IS PROHIBITED. | CK BY: TJD 1997/12/01  |  |
|                |   | ISS:                   | SIZE: C DWG NO: 189036   |
|                |   | THIRD ANGLE PROJECTION | SCALE: 1=5 SHEET 1 OF 1  |
|                |   |                        | REV: 3   |

4

3

2

1

4

3

2

1

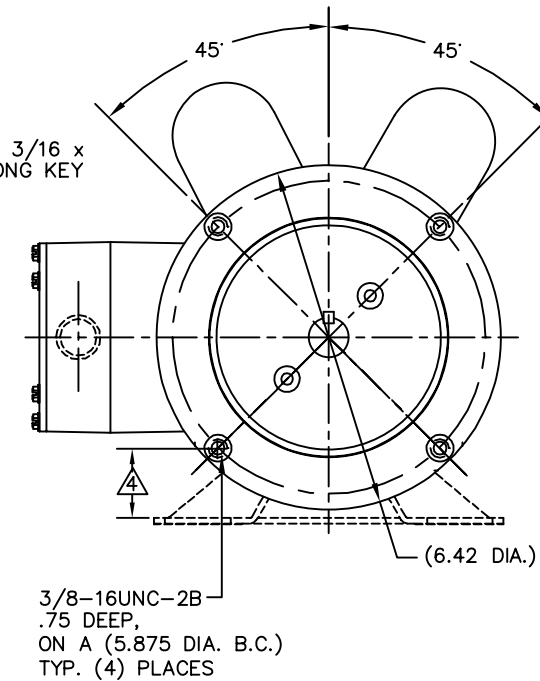
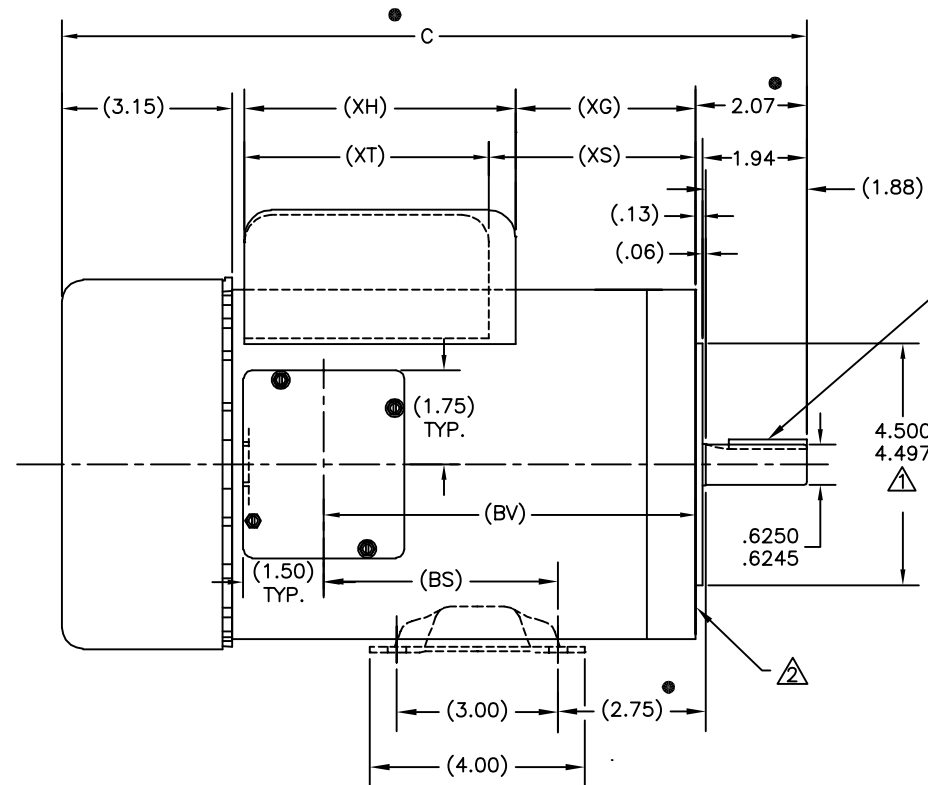
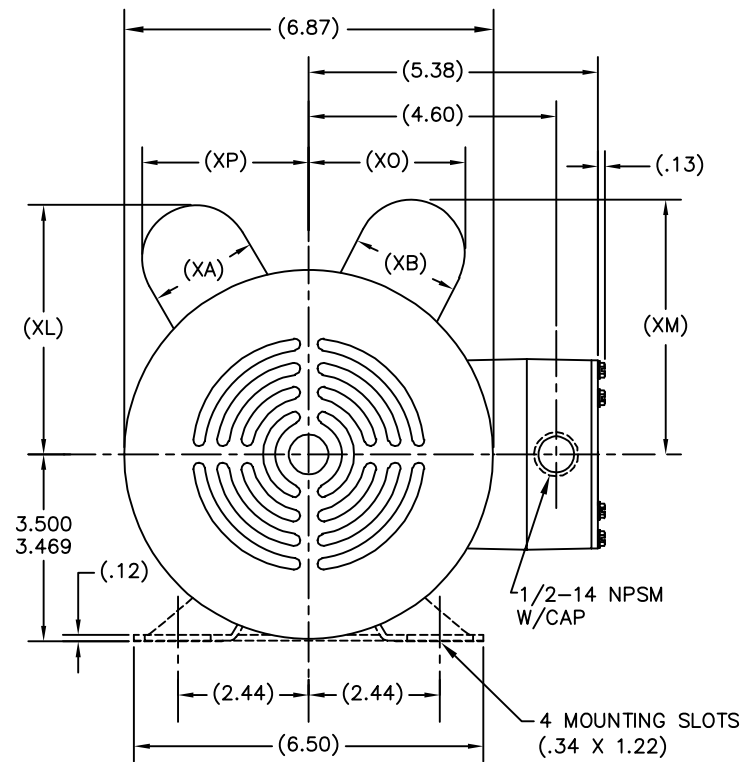
| REV | DATE       | ECN      | DESCRIPTION              | REV BY | APPD |
|-----|------------|----------|--------------------------|--------|------|
| 3   | 1999/04/28 | OOM09046 | ADDED GROUPS -03 AND -04 | kimdav |      |

| GRP | TYPE | FRAME | C     | (BV) | (BS) | (XA) | (XB) | (XG) | (XH) | (XS) | (XT) | (XL) | (XM) | (XO) | (XP) |
|-----|------|-------|-------|------|------|------|------|------|------|------|------|------|------|------|------|
| -01 | CP   | T56C  | 12.69 | 5.77 | —    | 2.01 | 2.01 | 2.26 | 5.06 | 2.26 | 5.06 | 4.64 | 4.65 | 3.10 | 3.09 |
|     | CP   | T56J  | 13.19 | 5.77 | —    | 2.01 | 2.01 | 2.26 | 5.06 | 2.26 | 5.06 | 4.64 | 4.65 | 3.10 | 3.09 |
| -02 | CP   | X56C  | 13.69 | 6.77 | 4.15 | 2.01 | 2.01 | 3.26 | 5.06 | 3.26 | 5.06 | 4.64 | 4.65 | 3.10 | 3.09 |
|     | CP   | X56J  | 14.19 | 6.77 | —    | 2.01 | 2.01 | 3.26 | 5.06 | 3.26 | 5.06 | 4.64 | 4.65 | 3.10 | 3.09 |
| -03 | CP   | P56C  | 14.19 | 7.27 | —    | 2.01 | 2.27 | 3.44 | 5.30 | 3.69 | 5.06 | 4.64 | 4.92 | 3.32 | 3.09 |
|     | CP   | P56J  | 14.69 | 7.27 | —    | 2.01 | 2.27 | 3.44 | 5.30 | 3.69 | 5.06 | 4.64 | 4.92 | 3.32 | 3.09 |
| -04 | CP   | R56C  | 14.94 | 8.02 | —    | 2.01 | 2.27 | 4.19 | 5.30 | 4.44 | 5.06 | 4.64 | 4.92 | 3.32 | 3.09 |
|     | CP   | R56J  | 15.44 | 8.02 | —    | 2.01 | 2.27 | 4.19 | 5.30 | 4.44 | 5.06 | 4.64 | 4.92 | 3.32 | 3.09 |

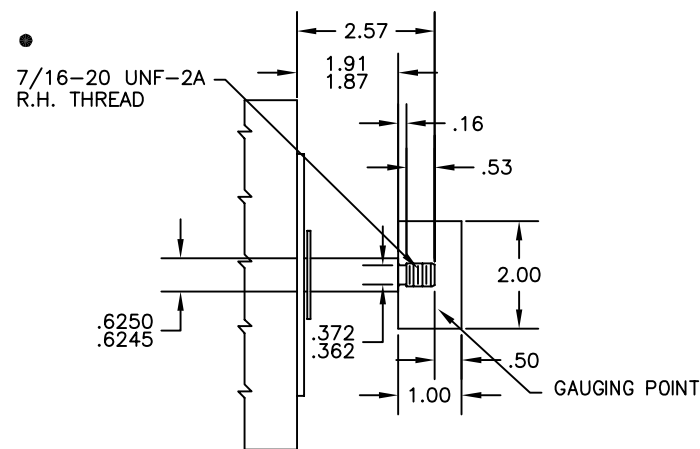
ALL DIMENSIONS SHOWN IN PARENTHESIS ARE REFERENCE DIMENSIONS. ALL OTHER DIMENSIONS ARE TOLERANCED PER THE FOLLOWING CHART UNLESS OTHERWISE SPECIFIED.

"C" DIM. = +/- .055  
 SHAFT EXT. = +/- .034  
 LEAD LENGTHS = +/- 1.00  
 EXTENDED THRU-BOLTS = +/- .050  
 ANGULAR DIMS. = +/- 2 DEGS.

56C SHAFT EXTENSION



56J SHAFT EXTENSION (JET PUMP)



NOTES:

- 1 PILOT DIAMETER IS CONCENTRIC WITH SHAFT CENTERLINE WITHIN .004 T.I.R.
- 2 FACE OF MOUNTING FLANGE IS PERPENDICULAR TO SHAFT CENTERLINE WITHIN .004 T.I.R.
- 3 SHAFT RUNOUT NOT TO EXCEED .002 T.I.R.
- 4 FOR RIGID BASE ONLY: THE 2 BOTTOM HOLES IN THE MOUNTING FLANGE ARE PARALLEL FROM THE BOTTOM OF THE FEET WITHIN .030
- 5 END PLAY NOT TO EXCEED .010 MEASURED WITH NO THRUST

● = CRITICAL DIM.

|                |   |                        |  |
|----------------|---|------------------------|--|
| AUTOCAD FORM 3 | UNLESS OTHERWISE SPECIFIED DIM ARE IN INCHES<br>.X = ± .1<br>.XX = ± .02<br>.XXX = ± .005<br>.XXXX = ± .0005<br>ANG = ± .5  | DR BY: RSH 1997/12/01  | MagneTek<br>1181 CORPORATE LAKE DRIVE<br>ST. LOUIS, MISSOURI 63132 |
|                | THE INFORMATION HEREON IS THE PROPERTY OF MAGNETEK INC. AND/OR ITS SUBSIDIARIES. WITHOUT WRITTEN PERMISSION, ANY COPYING, TRANSMITTAL TO OTHERS, AND ANY USE EXCEPT THAT FOR WHICH IT IS LOANED, IS PROHIBITED. | CK BY: TJD 1997/12/01  |  |
|                |   | ISS:                   | SIZE: C DWG NO: 189036 REV: 3                                      |
|                |   | THIRD ANGLE PROJECTION | SCALE: 1=5 SHEET 1 OF 1  |

4

3

2

1

4

3

2

1

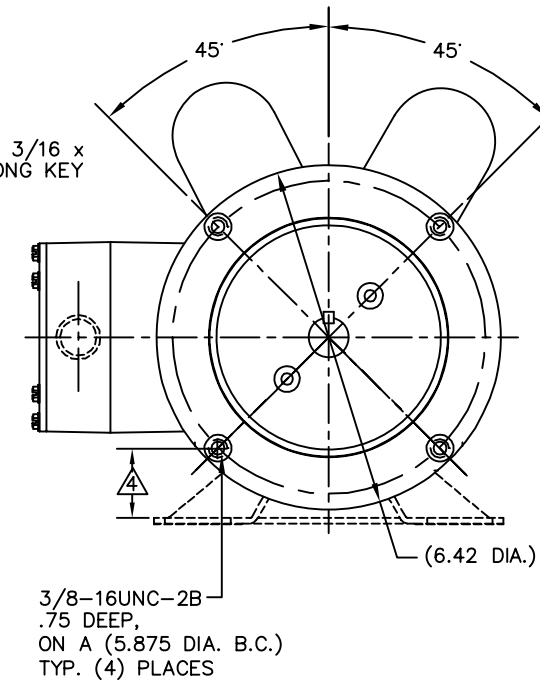
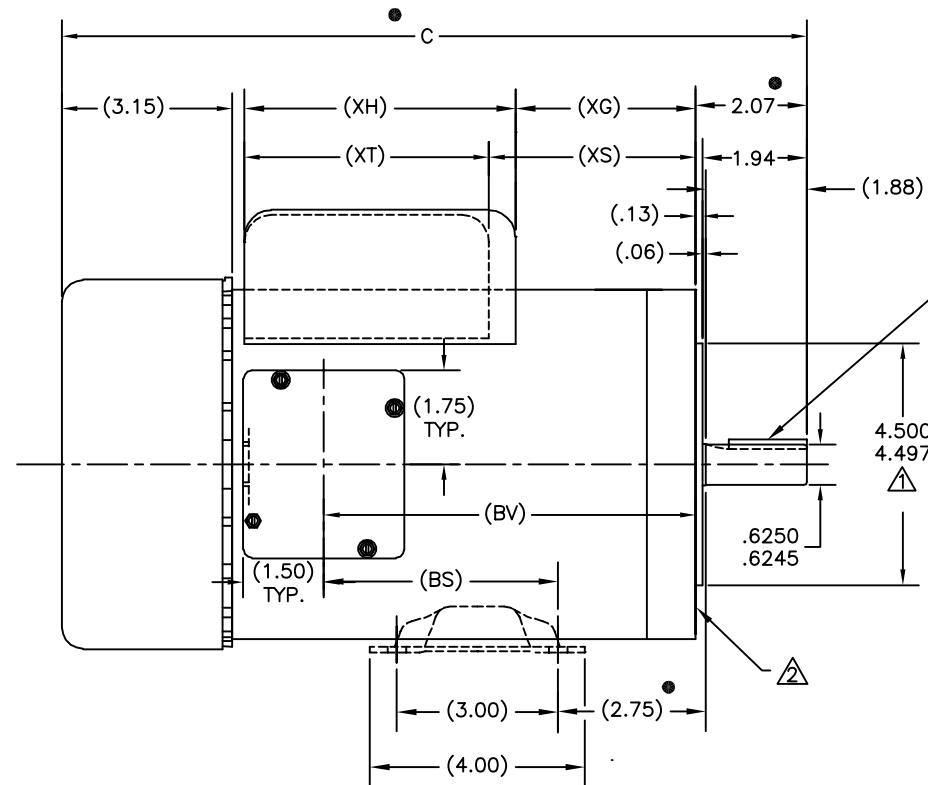
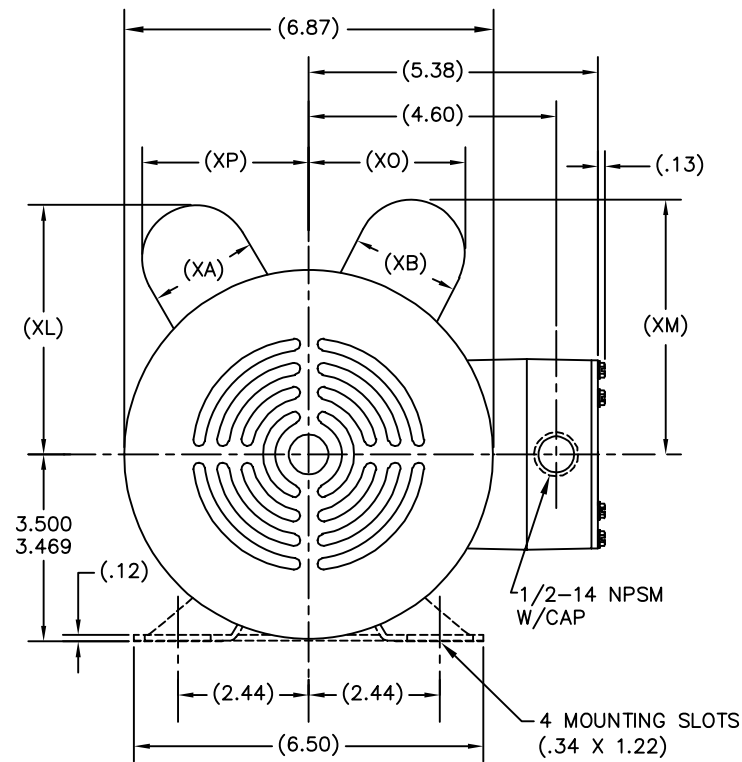
| REV | DATE       | ECN      | DESCRIPTION              | REV BY | APPD |
|-----|------------|----------|--------------------------|--------|------|
| 3   | 1999/04/28 | OOM09046 | ADDED GROUPS -03 AND -04 | kimdav |      |

| GRP | TYPE | FRAME | C     | (BV) | (BS) | (XA) | (XB) | (XG) | (XH) | (XS) | (XT) | (XL) | (XM) | (XO) | (XP) |
|-----|------|-------|-------|------|------|------|------|------|------|------|------|------|------|------|------|
| -01 | CP   | T56C  | 12.69 | 5.77 | —    | 2.01 | 2.01 | 2.26 | 5.06 | 2.26 | 5.06 | 4.64 | 4.65 | 3.10 | 3.09 |
|     | CP   | T56J  | 13.19 | 5.77 | —    | 2.01 | 2.01 | 2.26 | 5.06 | 2.26 | 5.06 | 4.64 | 4.65 | 3.10 | 3.09 |
| -02 | CP   | X56C  | 13.69 | 6.77 | 4.15 | 2.01 | 2.01 | 3.26 | 5.06 | 3.26 | 5.06 | 4.64 | 4.65 | 3.10 | 3.09 |
|     | CP   | X56J  | 14.19 | 6.77 | —    | 2.01 | 2.01 | 3.26 | 5.06 | 3.26 | 5.06 | 4.64 | 4.65 | 3.10 | 3.09 |
| -03 | CP   | P56C  | 14.19 | 7.27 | —    | 2.01 | 2.27 | 3.44 | 5.30 | 3.69 | 5.06 | 4.64 | 4.92 | 3.32 | 3.09 |
|     | CP   | P56J  | 14.69 | 7.27 | —    | 2.01 | 2.27 | 3.44 | 5.30 | 3.69 | 5.06 | 4.64 | 4.92 | 3.32 | 3.09 |
| -04 | CP   | R56C  | 14.94 | 8.02 | —    | 2.01 | 2.27 | 4.19 | 5.30 | 4.44 | 5.06 | 4.64 | 4.92 | 3.32 | 3.09 |
|     | CP   | R56J  | 15.44 | 8.02 | —    | 2.01 | 2.27 | 4.19 | 5.30 | 4.44 | 5.06 | 4.64 | 4.92 | 3.32 | 3.09 |

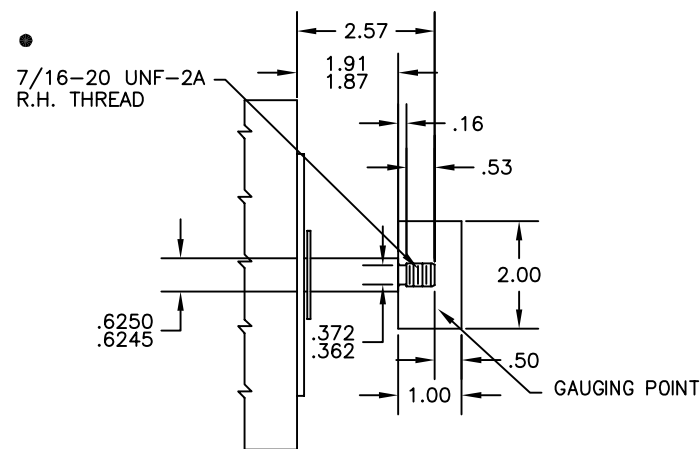
ALL DIMENSIONS SHOWN IN PARENTHESIS ARE REFERENCE DIMENSIONS. ALL OTHER DIMENSIONS ARE TOLERANCED PER THE FOLLOWING CHART UNLESS OTHERWISE SPECIFIED.

"C" DIM. = +/- .055  
 SHAFT EXT. = +/- .034  
 LEAD LENGTHS = +/- 1.00  
 EXTENDED THRU-BOLTS = +/- .050  
 ANGULAR DIMS. = +/- 2 DEGS.

56C SHAFT EXTENSION



56J SHAFT EXTENSION (JET PUMP)



NOTES:

- 1 PILOT DIAMETER IS CONCENTRIC WITH SHAFT CENTERLINE WITHIN .004 T.I.R.
- 2 FACE OF MOUNTING FLANGE IS PERPENDICULAR TO SHAFT CENTERLINE WITHIN .004 T.I.R.
- 3 SHAFT RUNOUT NOT TO EXCEED .002 T.I.R.
- 4 FOR RIGID BASE ONLY: THE 2 BOTTOM HOLES IN THE MOUNTING FLANGE ARE PARALLEL FROM THE BOTTOM OF THE FEET WITHIN .030
- 5 END PLAY NOT TO EXCEED .010 MEASURED WITH NO THRUST

● = CRITICAL DIM.

|                |   |                        |  |
|----------------|---|------------------------|--|
| AUTOCAD FORM 3 | UNLESS OTHERWISE SPECIFIED DIM ARE IN INCHES<br>.X = ± .1<br>.XX = ± .02<br>.XXX = ± .005<br>.XXXX = ± .0005<br>ANG = ± .5  | DR BY: RSH 1997/12/01  | MagneTek<br>1181 CORPORATE LAKE DRIVE<br>ST. LOUIS, MISSOURI 63132 |
|                | THE INFORMATION HEREON IS THE PROPERTY OF MAGNETEK INC. AND/OR ITS SUBSIDIARIES. WITHOUT WRITTEN PERMISSION, ANY COPYING, TRANSMITTAL TO OTHERS, AND ANY USE EXCEPT THAT FOR WHICH IT IS LOANED, IS PROHIBITED. | CK BY: TJD 1997/12/01  |  |
|                |   | ISS:                   | SIZE: C DWG NO: 189036   |
|                |   | THIRD ANGLE PROJECTION | REV: 3   |
|                |   |                        | SCALE: 1=5 SHEET 1 OF 1  |

4

3

2

1