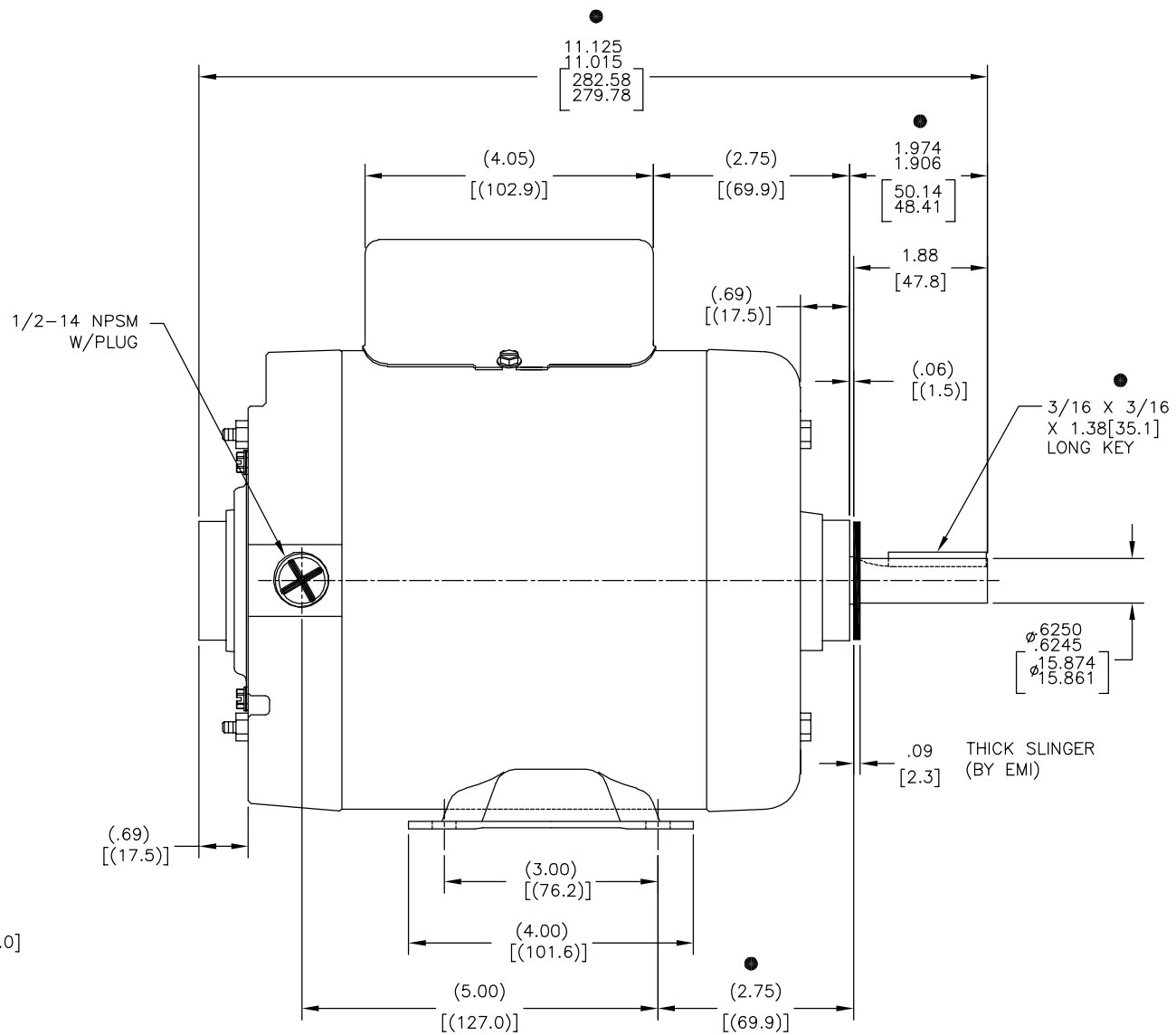
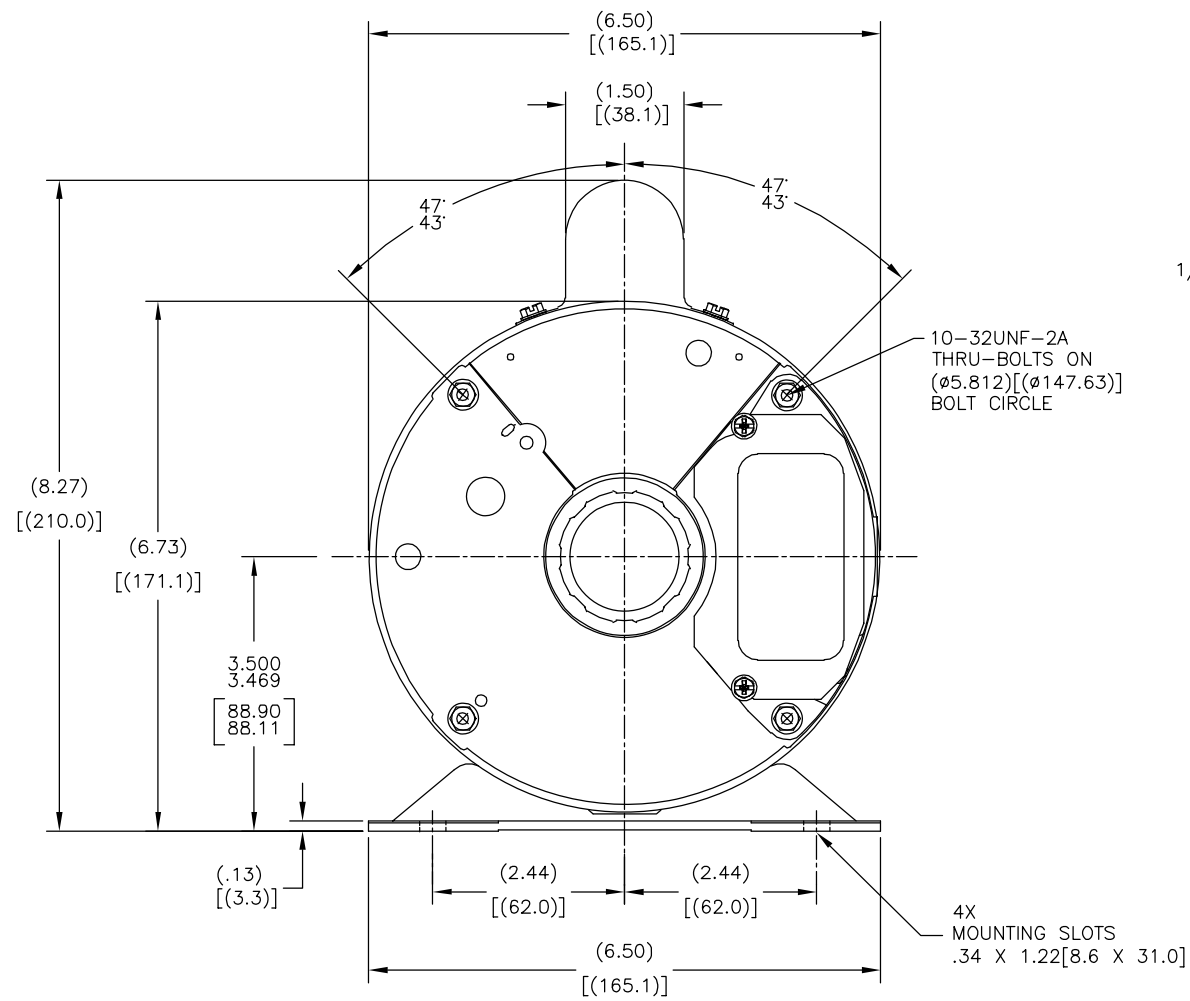


FRAME	TYPE
J56	CSS



● = CRITICAL DIMENSION

DRAWING REVISION R	REVISION BY D.VALENCIANO	DATE 10-29-2014	TOLERANCES UNLESS OTHERWISE SPECIFIED DEC. INCH mm ANGLE .X ±0.1 [±2.5] ±0.5° .XX ±0.02 [±0.51] .XXX ±0.005 [±0.127] .XXXX ±0.0005 [±0.0127]	DRAWN BY:	REGAL Regal Beloit America, Inc.
ECO-0063324	APPROVED BY D.VALENCIANO	DATE 10-29-2014	REMOVE BURRS & BREAK SHARP EDGES .003/.015 [0.076/.381] CORNER FILLETS .02 [0.51] MACHINED SURFACES $\sqrt{.125}$ INCH $\sqrt{3.2}$ mm SHOWN IN [BRACKETS]	DATE:	DESCRIPTION MODEL-CFHP-56FR OUTLINE
UPDATED TITLE BLOCK				APPROVED BY:	MATERIAL
<small>COPYRIGHT REGAL BELOIT AMERICA, INC. ALL RIGHTS RESERVED. PROPRIETARY AND CONFIDENTIAL INFORMATION - THIS DOCUMENT IS THE PROPERTY OF REGAL BELOIT AMERICA, INC. (OWNER) AND CONTAINS OWNER'S PROPRIETARY INFORMATION. ANY PERSON, CORPORATION OR OTHER FIRM RECEIVING IT IS DEEMED, BY RECEIVING IT, TO AGREE THAT IT, AND/OR ANY PART OF IT, SHALL NOT BE DISCLOSED TO ANY PERSON, CORPORATION OR OTHER ENTITY, DUPLICATED, AND/OR USED, EXCEPT AS EXPRESSLY APPROVED IN WRITING IN ADVANCE BY OWNER. THIS DOCUMENT SHALL BE RETURNED TO OWNER UPON REQUEST. IT MAY BE SUBJECT TO CERTAIN RESTRICTIONS UNDER APPLICABLE EXPORT CONTROL LAWS AND REGULATIONS.</small>				DATE:	PROCESS/FINISH
				REFERENCE	SIZE DWG NO C 645
				THIRD ANGLE PROJECTION	SHEET 1