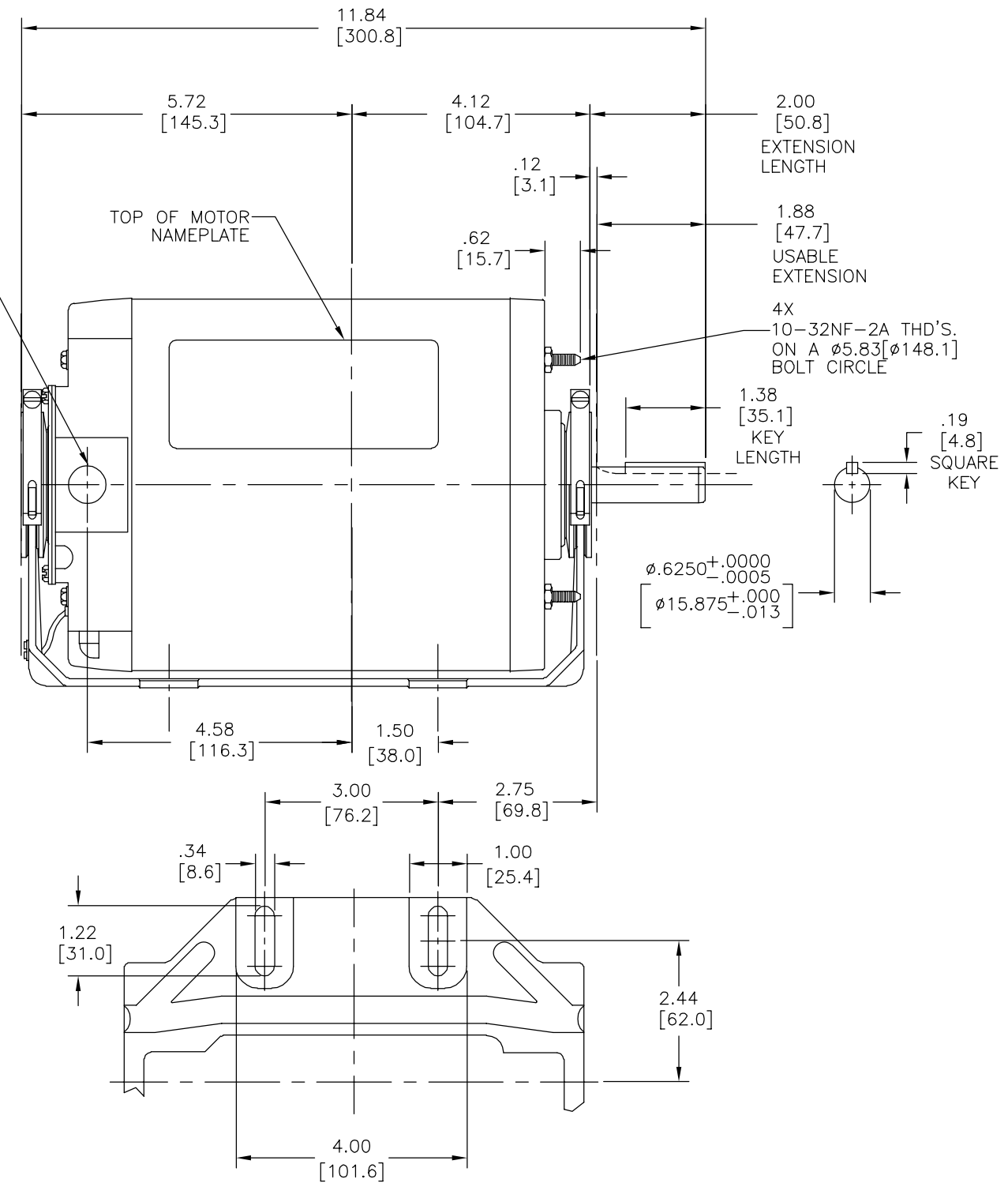


1/2-14 PIPE TAP FOR CONDUIT CONNECTION PLUGGED



DRAWING REVISION D	REVISION BY E.SINECIO	DATE 02-05-2014	TOLERANCES UNLESS OTHERWISE SPECIFIED DEC. mm INCH ANGLE	DRAWN BY: SLB	Regal Beloit America, Inc. DESCRIPTION MODEL-CFHP-56FR OUTLINE
ECO 0044440	APPROVED BY J.RUIZ	DATE 02-05-2014	.X ±2.5 (±0.10) ±0.5° .XX ±0.50 (±0.020) .XXX ±0.130 (±0.0051) .XXXX ±0.0130 (±0.00051)	DATE: 07-24-2009	
ECO DESCRIPTION CHANGED TERMINAL BOX COVER			REMOVE BURRS & BREAK SHARP EDGES .08/.38 (1.003/.015) CORNER FILLETS .50 (1.020) MACHINED SURFACES $\sqrt{125}$ INCH $\sqrt{3.2}$ mm	APPROVED BY: TC	MATERIAL
COPYRIGHT REGAL BELOIT AMERICA, INC. ALL RIGHTS RESERVED. PROPRIETARY AND CONFIDENTIAL INFORMATION - THIS DOCUMENT IS THE PROPERTY OF REGAL BELOIT AMERICA, INC. (OWNER) AND CONTAINS OWNER'S PROPRIETARY INFORMATION. ANY PERSON, CORPORATION OR OTHER FIRM RECEIVING IT IS DEEMED, BY RECEIVING IT, TO AGREE THAT IT, AND/OR ANY PART OF IT, SHALL NOT BE DISCLOSED TO ANY PERSON, CORPORATION OR OTHER ENTITY, DUPLICATED, AND/OR USED, EXCEPT AS EXPRESSLY APPROVED IN WRITING IN ADVANCE BY OWNER. THIS DOCUMENT SHALL BE RETURNED TO OWNER UPON REQUEST. IT MAY BE SUBJECT TO CERTAIN RESTRICTIONS UNDER APPLICABLE EXPORT CONTROL LAWS AND REGULATIONS.			THIRD ANGLE PROJECTION 	SIZE DWG NO C ARB2054L2	SHEET 1