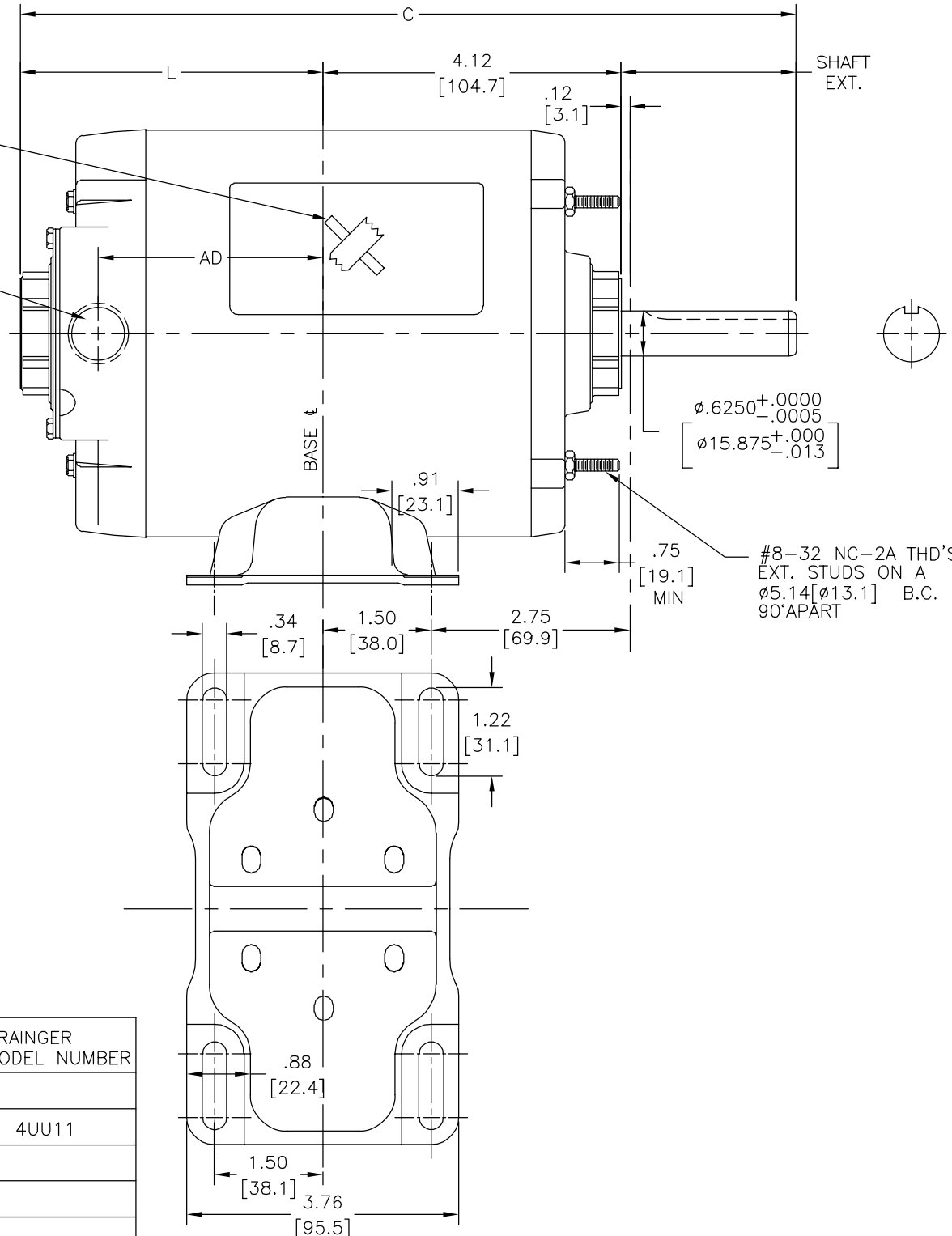
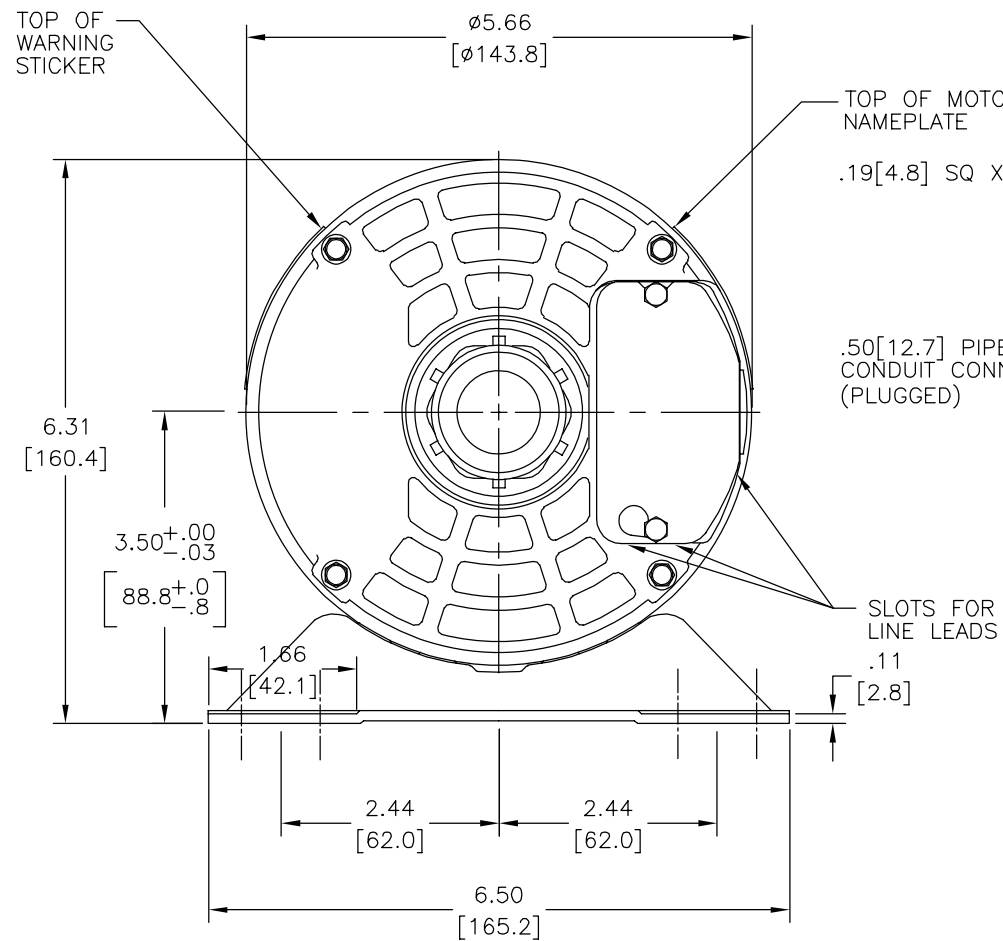


|     |         |              |            |              |            |
|-----|---------|--------------|------------|--------------|------------|
| REV | ECO     | REV BY       | DATE       | APPD         | DATE       |
| E   | 0025159 | G. RODRIGUEZ | 06-28-2012 | DANIEL MUÑOZ | 06-28-2012 |



| (FIRST MODEL) | PERFORMANCE CURVE # | (FRAME LENGTH) | C            | L           | AD         | SHAFT EXT. | KEY LENGTH | GRAINGER MODEL NUMBER |
|---------------|---------------------|----------------|--------------|-------------|------------|------------|------------|-----------------------|
| OS2050        | C26051              | 5.312[134.92]  | 10.61[269.5] | 4.12[104.6] | 3.06[77.7] | 2.37[60.2] | 1.38[35.1] |                       |
| OS2074        | C26065              | 5.812[147.62]  | 11.11[282.2] | 4.62[117.3] | 3.56[90.4] | 2.37[60.2] | 1.38[35.1] | 4UU11                 |
|               |                     |                |              |             |            |            |            |                       |
|               |                     |                |              |             |            |            |            |                       |

GEOMETRIC CHARACTERISTICS & SYMBOLS  
 □ FLATNESS  
 - STRAIGHTNESS  
 ∠ ANGULARITY  
 ⊥ PERPENDICULARITY (SQUARENESS)  
 ∥ PARALLELISM  
 ○ ROUNDNESS (CIRCULARITY)  
 ⌀ CYLINDRICITY  
 △ PROFILE OF ANY SURFACE  
 ∩ PROFILE OF ANY LINE  
 ↑ RUNOUT  
 ⊕ TRUE POSITION  
 ⊙ CONCENTRICITY  
 = SYMMETRY  
 ASME Y14.5M 1994

UNLESS OTHERWISE SPECIFIED DIM. TOLERANCES ARE AS FOLLOWS:  
 INCH X XX XXX XXXX  
 ±.1 ±.02 ±.005 ±.0005  
 mm ±0.5 ±0.13 ±0.013  
 ANG. ±.50 DEG  
 REMOVE BURRS & BREAK SHARP EDGES:  
 INCH .003-.015 mm 0.1-0.4  
 CORNER FILLETS TO:  
 INCH .020 mm 0.5  
 MACHINE SURFACES:  
 INCH 125 mm 3.2  
 METRIC DIMS. SHOWN IN [BRACKETS]

DR BY: BLANKENSHIP 09-21-2004  
 APPD: SHROAD 09-23-2004  
 THIRD ANGLE PROJECTION  
 EDS DATE 11-11-2011  
 FORMAT REV H  
 CONFIDENTIAL: THIS DRAWING AND ITS INFORMATION ARE THE EXCLUSIVE AND CONFIDENTIAL PROPERTY OF REGAL-BELOIT CORPORATION AND ARE NOT TO BE DISCLOSED, DUPLICATED, DISTRIBUTED OR OTHERWISE USED WITHOUT THE WRITTEN CONSENT OF REGAL-BELOIT CORPORATION. -ALL RIGHTS RESERVED.

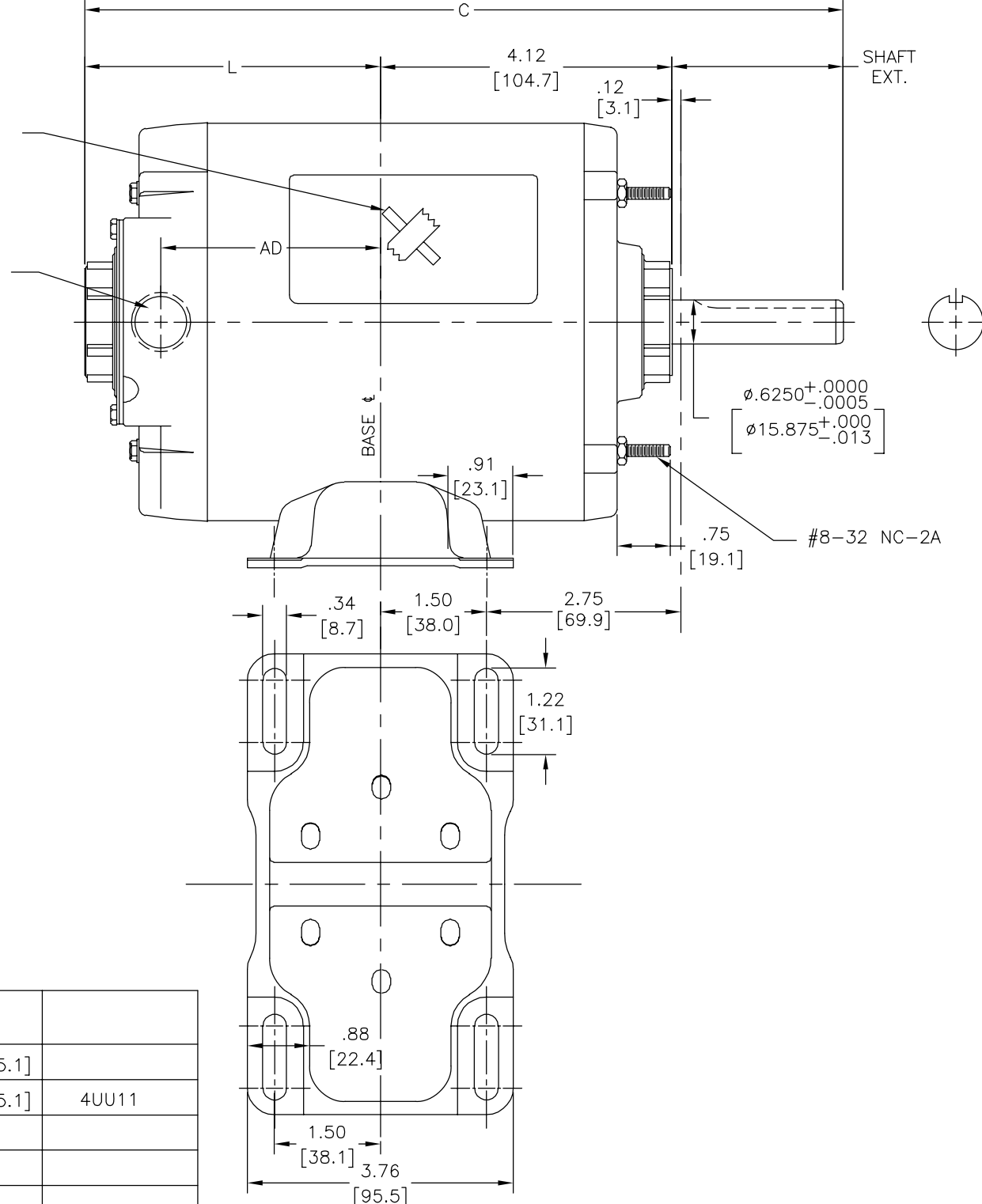
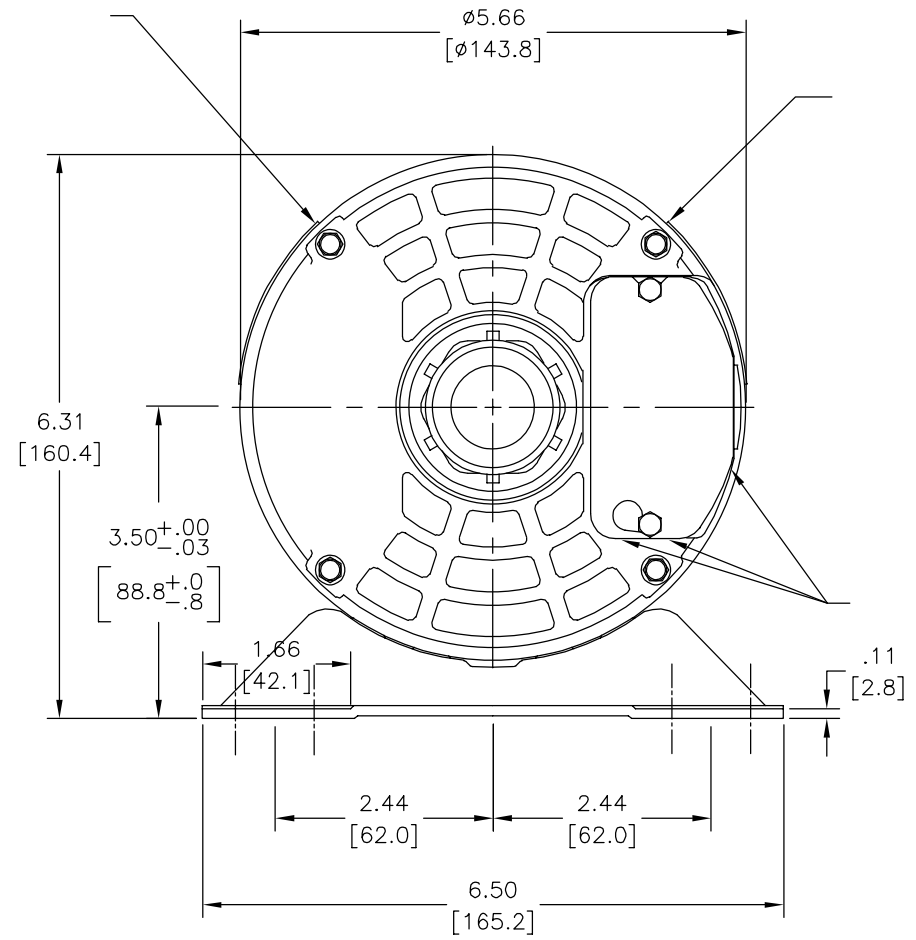
**REGAL** REGAL-BELOIT CORPORATION

DESCRIPTION: MODEL-RFHP-48FR OUTLINE

SIZE C DWG NO 11724-021

SCALE NONE SHEET 1

|           |         |               |            |               |            |
|-----------|---------|---------------|------------|---------------|------------|
| REVISION: | ECO     | REVISADO POR: | FECHA:     | APROBADO POR: | FECHA:     |
| E         | 0025159 | G. RODRIGUEZ  | 06-28-2012 | DANIEL MUÑOZ  | 06-28-2012 |



|        |        |               | C            | L           | AD         |            |            |       |
|--------|--------|---------------|--------------|-------------|------------|------------|------------|-------|
| OS2050 | C26051 | 5.312[134.92] | 10.61[269.5] | 4.12[104.6] | 3.06[77.7] | 2.37[60.2] | 1.38[35.1] |       |
| OS2074 | C26065 | 5.812[147.62] | 11.11[282.2] | 4.62[117.3] | 3.56[90.4] | 2.37[60.2] | 1.38[35.1] | 4UU11 |
|        |        |               |              |             |            |            |            |       |
|        |        |               |              |             |            |            |            |       |

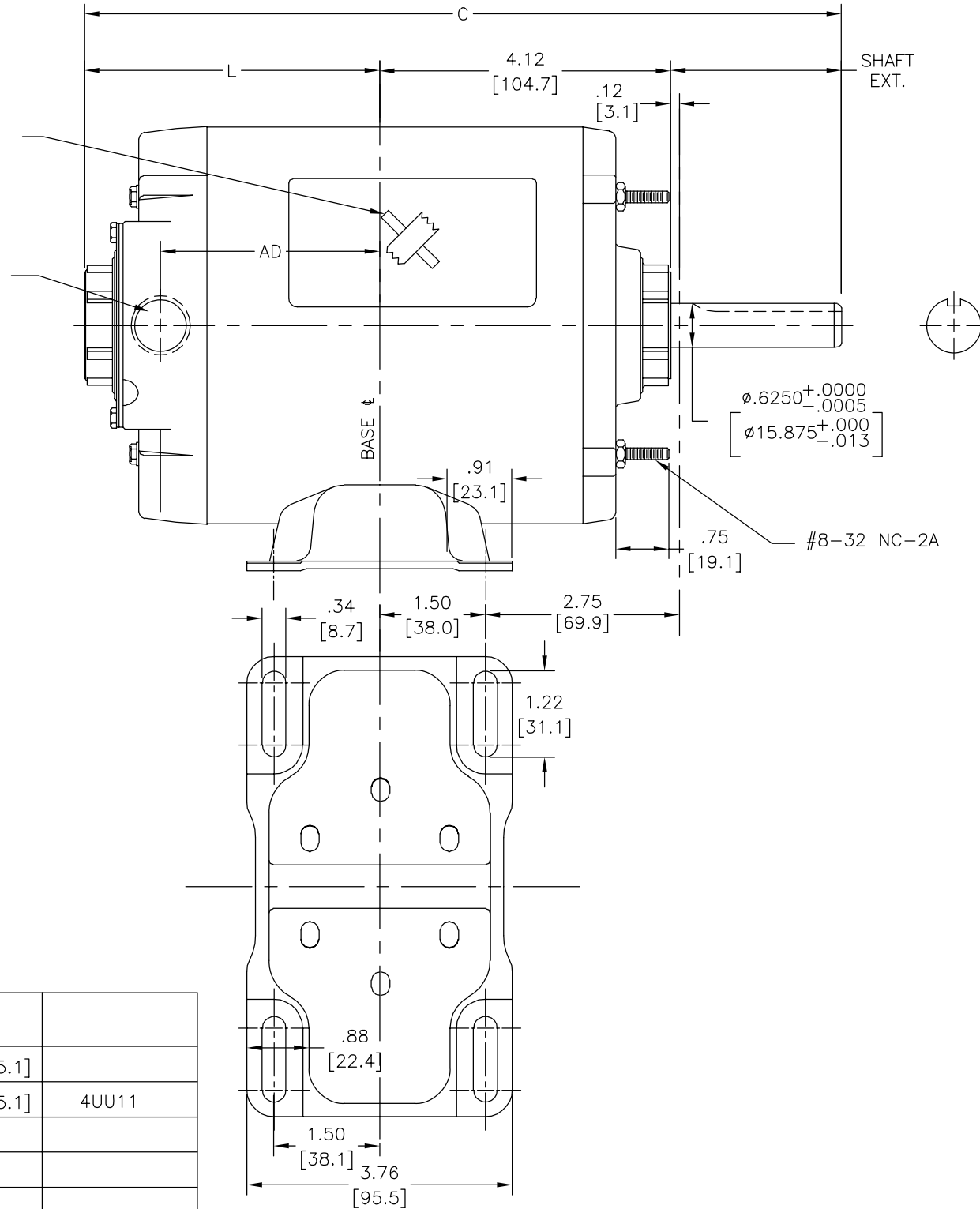
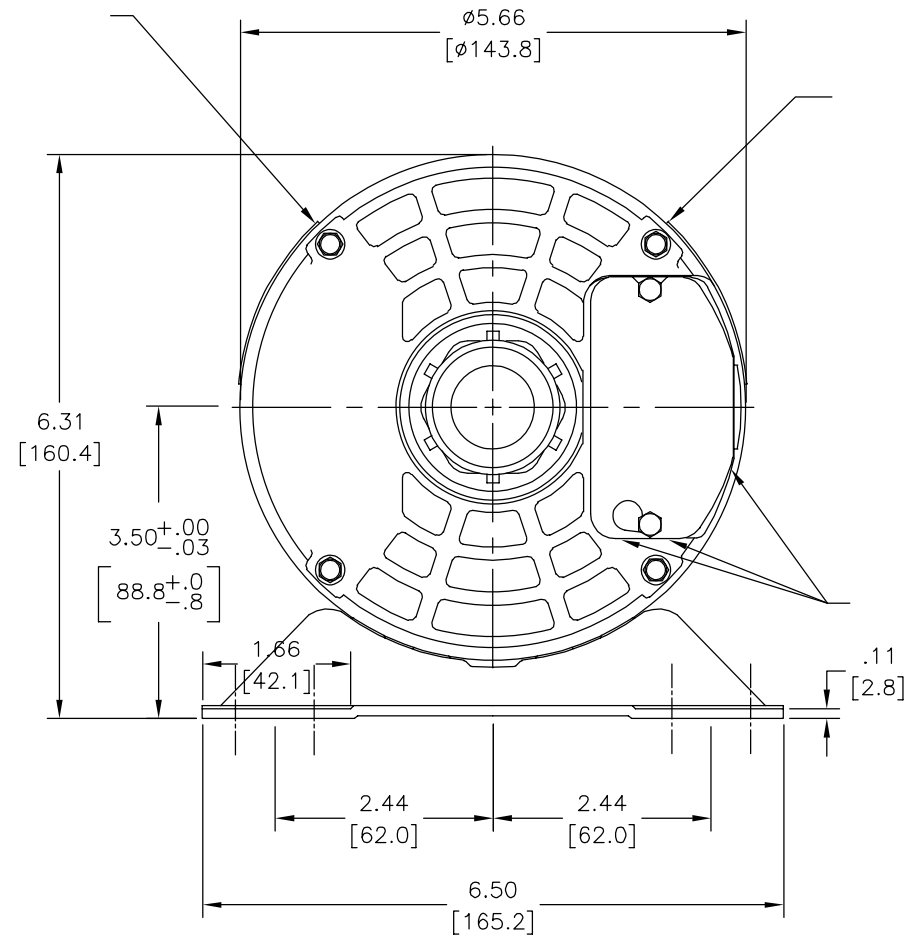
**CARACTERISTICAS DE GEOMETRIA Y SIMBLOS**  
 ▧ PLANICIDAD  
 — RECTITUD  
 < ANGULARIDAD  
 ⊥ PERPENDICULARIDAD (A ESCUADRA)  
 // PARALELISMO  
 ○ REDONDEZ (CIRCULARIDAD)  
 ∅ CILINDRICIDAD  
 △ PERFIL DE CUALQUIER SUPERFICIE  
 ▲ PERFIL DE CUALQUIER LINEA  
 ↗ VARIACION  
 ⊕ POSICION REAL  
 ⊙ CONCENTRICIDAD  
 = SIMETRIA

A MENOS QUE SE ESPECIFIQUE DE OTRA MANERA, LAS TOLERANCIAS DE LAS DIMS; SON LAS SIGUIENTES:  
 PULG ±.1 ±.02 ±.005 ±.0005  
 mm ±0.5 ±0.13 ±0.013  
 ANG. ±.50 GRADOS  
 ELIMINAR REBABAS Y ORILLAS FILOSAS DEL BORDE.  
 PULG .003-.015 mm 0.1-0.4  
 FILETEAR ESQUINA: PULG .020 mm 0.5  
 MAQUINAR SUPERFICIES  
 PULG 125 mm 3.2  
 DIMS METRICAS MOSTRADAS [PARENTESIS]

DIBUJADO POR: BLANKENSHIP 09-21-2004  
 APROBADO POR: SHROAD 09-23-2004  
 TERCER ANGULO DE PROYECCION  
 CONFIDENCIAL: ESTE DIBUJO Y SU INFORMACION SON PROPIEDAD DE USO EXCLUSIVO Y CONFIDENCIAL DE REGAL-BELOIT CORPORATION. Y NO DEBERAN SER REVELADOS, DUPLICADOS, DISTRIBUIDOS O USARSE DE OTRA MANERA SIN EL CONSENTIMIENTO ESCRITO DE REGAL-BELOIT CORPORATION. -TODOS LOS DERECHOS RESERVADOS.

**REGAL REGAL-BELOIT CORPORATION**  
 DESCRIPCION: MODEL-RFHP-48FR OUTLINE  
 TAMAÑO: C NUMERO DE DIBUJO: 11724-021  
 ESCALA: NONE HOJA: 1

|    |         |              |            |              |            |
|----|---------|--------------|------------|--------------|------------|
| 版本 | ECO     | 编制           | 日期         | 批准           | 日期         |
| E  | 0025159 | G. RODRIGUEZ | 06-28-2012 | DANIEL MUÑOZ | 06-28-2012 |



|        |        |               | C            | L           | AD         |            |            |       |
|--------|--------|---------------|--------------|-------------|------------|------------|------------|-------|
| OS2050 | C26051 | 5.312[134.92] | 10.61[269.5] | 4.12[104.6] | 3.06[77.7] | 2.37[60.2] | 1.38[35.1] |       |
| OS2074 | C26065 | 5.812[147.62] | 11.11[282.2] | 4.62[117.3] | 3.56[90.4] | 2.37[60.2] | 1.38[35.1] | 4UU11 |
|        |        |               |              |             |            |            |            |       |
|        |        |               |              |             |            |            |            |       |

- 形位公差
- 平面度
  - 直线度
  - ∠ 倾斜度
  - ⊥ 垂直度
  - ∥ 平行度
  - 圆度
  - ⊘ 圆柱度
  - ⊖ 面轮廓度
  - ⊕ 线轮廓度
  - ↗ 圆跳动
  - ⊕ 位置度
  - ⊙ 同轴度
  - ≡ 对称度

ASME Y14.5M 1994

除另有注明  
尺寸公差如下:

英寸 X XX XXX XXXX  
毫米 ±0.1 ±0.02 ±0.005 ±0.0005

毫米 ±0.5 ±0.13 ±0.013

角度 ±.50 度

清理毛刺和尖棱

英寸 .003-.015 毫米 0.1-0.4

内圆角

英寸 .020 毫米 0.5

表面粗糙度

英制 125 米制 3.2

米制尺寸显示在 [ ]

绘图: BLANKENSHIP 09-21-2004

批准: SHROAD 09-23-2004

第三角投影

机密: 本图纸及相关信息所有权归REGAL-BELOIT CORPORATION  
未经REGAL-BELOIT CORPORATION书面授权, 不得泄露、  
复制、传播或作其他用途。—版权所有

**REGAL** REGAL-BELOIT CORPORATION

名称: MODEL-RFHP-48FR  
OUTLINE

图幅: C 图号: 11724-021

比例: NONE 页号: 1