

GENERAL INFORMATION:

SHAFT RUNOUT: .001[.025] T.I.R. PER INCH LENGTH OF EXTENSION

END PLAY: .010[.254] TO .063[1.60]

BEARINGS: SLEEVE

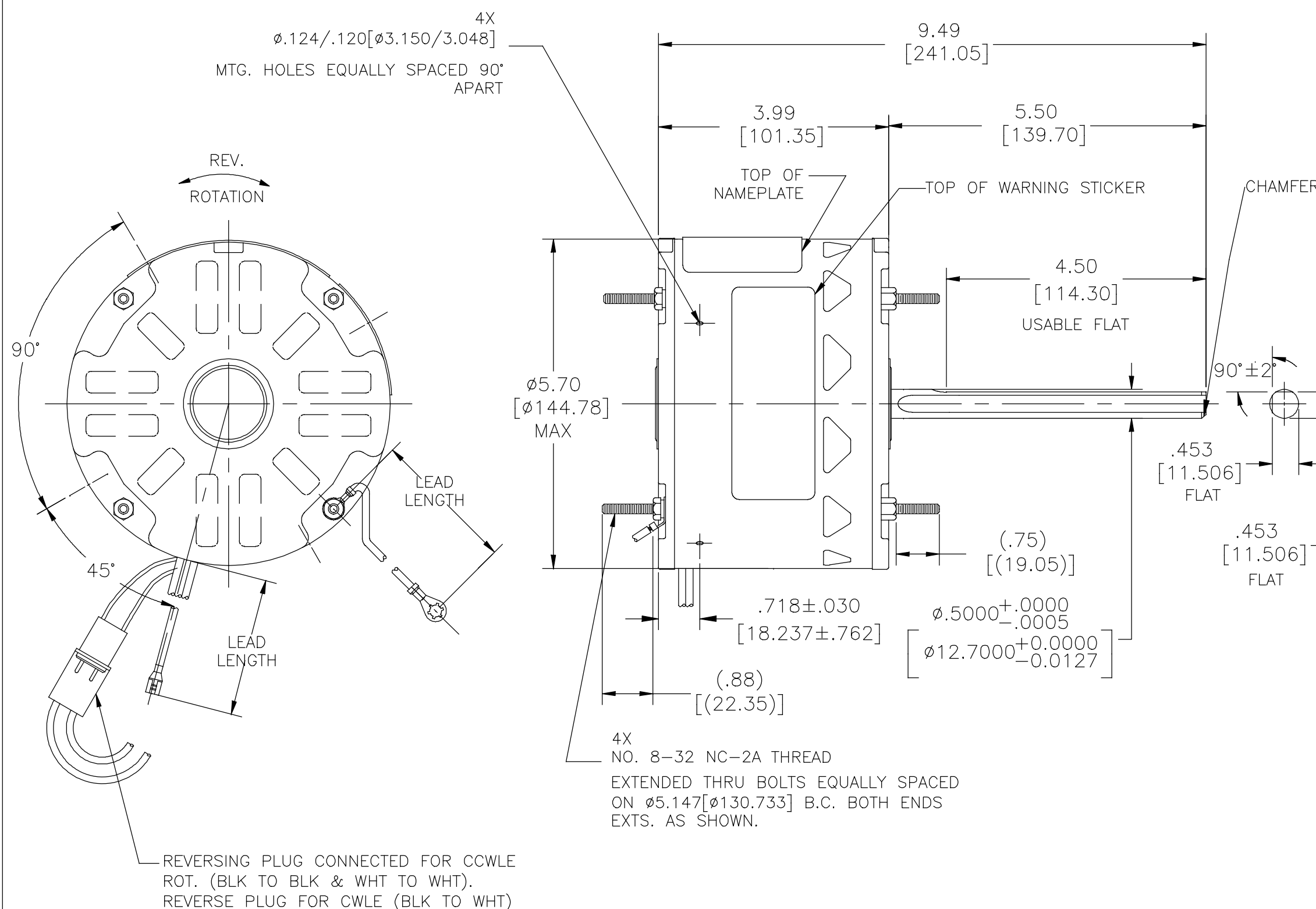
MOUNTING POSITION: VERTICAL SHAFT DOWN

ELECTRICAL DATA:

OVERLOAD PROTECTOR: AUTOMATIC RESET (T.I. 7AM 036)

LEADS: NO. 18 GA., .06[1.52] THK. PVC 105°C INSULATION.

GROUND LEAD: NO. 18 GA., .03[.76] THK. (GREEN) INSULATION.



NOTES:
 4X SCREWS 615982-001 TO BE PUT IN A POLYBAG & HANG ON SHAFT.

NAMEPLATE DATA:	EXTERNAL CONNECTION DIAGRAM
MODEL NO.: F48SF6L10 CUST. P/N: ORM1026 HP: 1/4 ROT.: REVERSIBLE RPM: 1075 TYPE: UF FRAME: 48 VOLTS: 208-230 PH: 1 AMPS: 1.6 (2.0 MAX) HZ: 60 NS.: B AMB: 60° C DUTY: AIR OVER CAP.: 5.0 MFD/370 VAC ENCL: SEMI ENCL UL LOGO CSA LOGO THERMALLY PROTECTED	<p>SEP. CAP.</p> <p>BRN</p> <p>BRN/W</p> <p>YEL</p> <p>LINE</p> <p>BLK</p> <p>BLK WHT</p> <p>CCWLE ROTATION</p> <p>BLK WHT</p> <p>WHT BLK</p> <p>CWLE ROTATION</p> <p>614131-115</p>

COLOR	LENGTH	TERMINAL OR STRIP LENGTH
GREEN (GRD)	12/13 [305/330]	# 10 EYELET
BROWN	72/76 [1829/1930]	.25[6.35] FEMALE SPADE
BROWN/WHT	72/76 [1829/1930]	.25[6.35] FEMALE SPADE
YELLOW	48/52 [1219/1321]	.25[6.35] FEMALE SPADE
BLACK	48/52 [1219/1321]	.25[6.35] FEMALE SPADE

REGAL-BELOIT CORPORATION (RBC) PROVIDES TECHNICAL ASSISTANCE TO OUR CUSTOMERS IN SEVERAL AREAS. SINCE RBC DOES NOT RECEIVE ALL DATA CONCERNING THE USE AND APPLICATION OF THE MOTOR, THE SUITABILITY OF THE MOTOR FOR THE APPLICATION MUST BE DETERMINED BY THE CUSTOMER.

DIMENSIONS WITHOUT TOLERANCES ARE FOR REFERENCE ONLY.

MAIN FRAME - OLE	OPEN
END FRAME - OLE	OPEN
MAIN FRAME - LE	CLOSED
END FRAME - LE	CLOSED

CUSTOMER	DISTRIBUTION SERVICE
----------	----------------------

PERFORMANCE CURVE NO.	TORQUE @ 1075 RPM (25°C)	APPROVED SAMPLE	UL COMPONENT	CSA
			FILE #	CCN #
C23482	22.8 OZ. FT.	EX11539	E46412	PRGY2
			LR43341	260-Ø-0

DRAWING REVISION	REVISION BY	DATE
B	NANCY LIU	01-16-2018
ECO	APPROVED BY	DATE
ECO-0137545	CADDIE.ZHOU	01-16-2018

ECO DESCRIPTION
 SEE ECO

COPYRIGHT REGAL-BELOIT CORPORATION, INC. ALL RIGHTS RESERVED. PROPRIETARY AND CONFIDENTIAL INFORMATION - THIS DOCUMENT IS THE PROPERTY OF REGAL-BELOIT CORPORATION, INC. ("OWNER") AND CONTAINS OWNER'S PROPRIETARY INFORMATION. ANY PERSON, CORPORATION OR OTHER FIRM RECEIVING IT IS DEEMED, BY RECEIVING IT, TO AGREE THAT IT, AND/OR ANY PART OF IT, SHALL NOT BE DISCLOSED TO ANY PERSON, CORPORATION OR OTHER ENTITY, DUPLICATED, AND/OR USED, EXCEPT AS EXPRESSLY APPROVED IN WRITING IN ADVANCE BY OWNER. THIS DOCUMENT SHALL BE RETURNED TO OWNER UPON REQUEST. IT MAY BE SUBJECT TO CERTAIN RESTRICTIONS UNDER APPLICABLE EXPORT CONTROL LAWS AND REGULATIONS.

DRAWN BY:	H.ZHU
DATE:	07-15-2014
APPROVED BY:	J.ZHU
DATE:	07-15-2014
REFERENCE:	11748-035-S01
THIRD ANGLE PROJECTION	

Regal Beloit America, Inc.	
DESCRIPTION	MODEL-RFHP-48FR OUTLINE
MATERIAL	PROCESS/FINISH
SIZE	DWG NO
C	ORM1026
SHEET	1