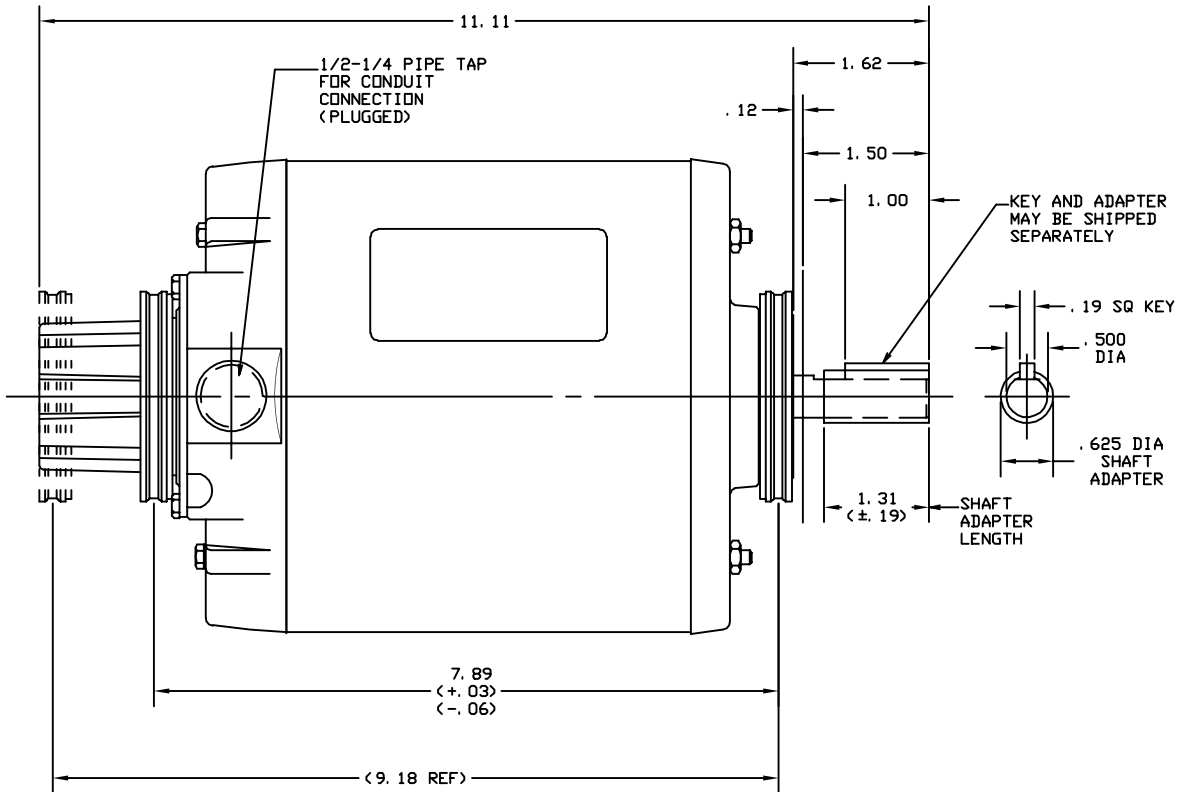
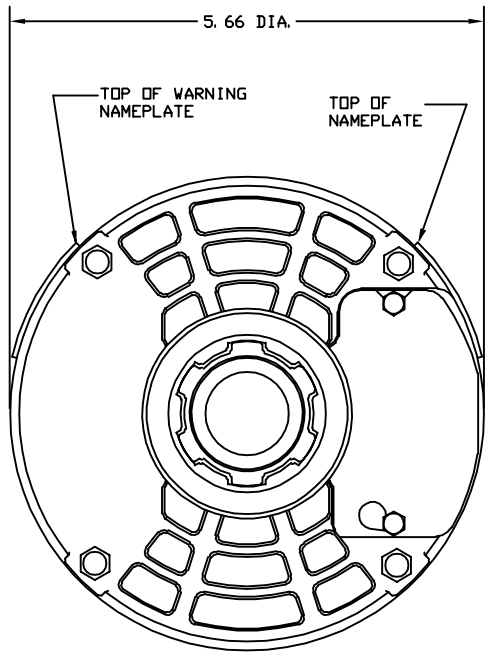


REV	REFERENCE ECN	REFERENCE PROJECT	REV BY	DATE	APPD	DATE
B	03183801	00762301	Jblank	05-02-2005	JBLANK	05-02-2005

REV. STATUS	
REV	SH



NOTE:
SNAP RINGS 615035 (4 REQ'D)
TO BE PACKED WITH EACH MOTOR

MODEL NUMBER
AR2054

GEOMETRIC CHARACTERISTICS & SYMBOLS
 ▭ FLATNESS
 — STRAIGHTNESS
 < ANGLARITY
 ⊥ PERPENDICULARITY (SQUARENESS)
 // PARALLELISM
 ○ ROUNDNESS (CIRCULARITY)
 ⊘ CYLINDRICITY
 △ PROFILE OF ANY SURFACE
 ▽ PROFILE OF ANY LINE
 ↗ ROUNDT
 ⊕ TRUE POSITION
 ⊙ CONCENTRICITY
 = SYMMETRY

UNLESS OTHERWISE SPECIFIED
DIM. TOLERANCES ARE AS FOLLOWS:
 INCH ±.1 ±.02 ±.005 ±.0005
 mm ±0.5 ±0.13 ±0.013
 ANG. ±.50 DEG
 REMOVE BURRS & BREAK SHARP EDGES:
 INCH .003-.015 mm 0.1-0.4
 CORNER FILLETS TO:
 INCH .020 mm 0.5
 MACHINE SURFACES:
 INCH 125 mm 3.2
 METRIC DIMS. SHOWN IN [BRACKETS]

DR BY: JBLANK
 APPD:
 THIRD ANGLE PROJECTION
 EDS DATE
 FORMAT REV B
 CONFIDENTIAL: THIS DRAWING AND ITS INFORMATION ARE THE EXCLUSIVE AND CONFIDENTIAL PROPERTY OF A. O. SMITH CORP. AND ARE NOT TO BE DISCLOSED, DUPLICATED, DISTRIBUTED OR OTHERWISE USED WITHOUT THE WRITTEN CONSENT OF A. O. SMITH CORP.
 -ALL RIGHTS RESERVED.

A.O. SMITH A DIVISION OF A. O. SMITH CORPORATION
 ELECTRICAL PRODUCTS COMPANY TIPP CITY, OHIO
 COPYRIGHT 1995
 DESCRIPTION: OUTLINE
 DWG NO: 12626-003
 SCALE: NONE
 SHEET 3