

S# LG 6431 1
PD 17659

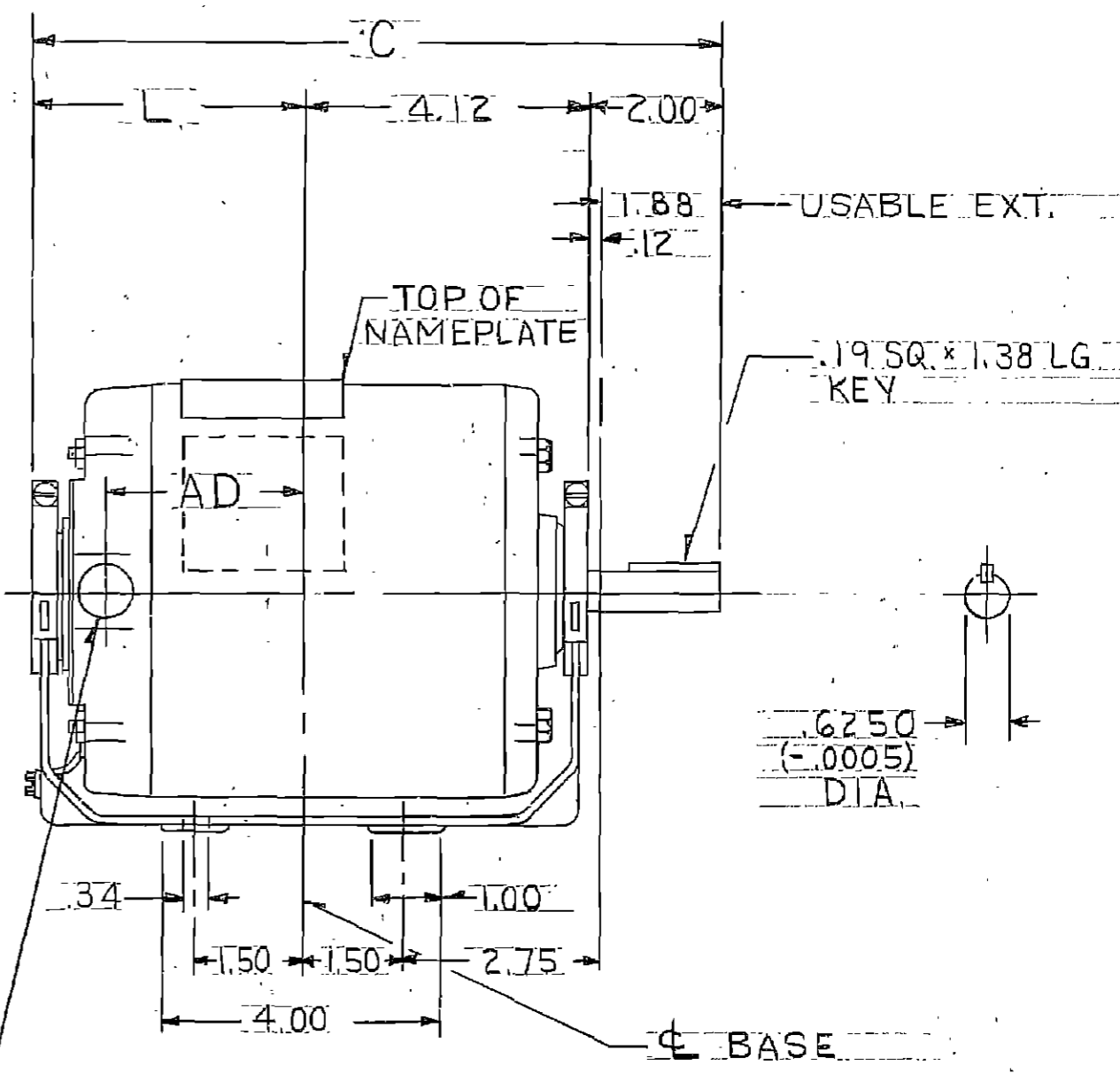
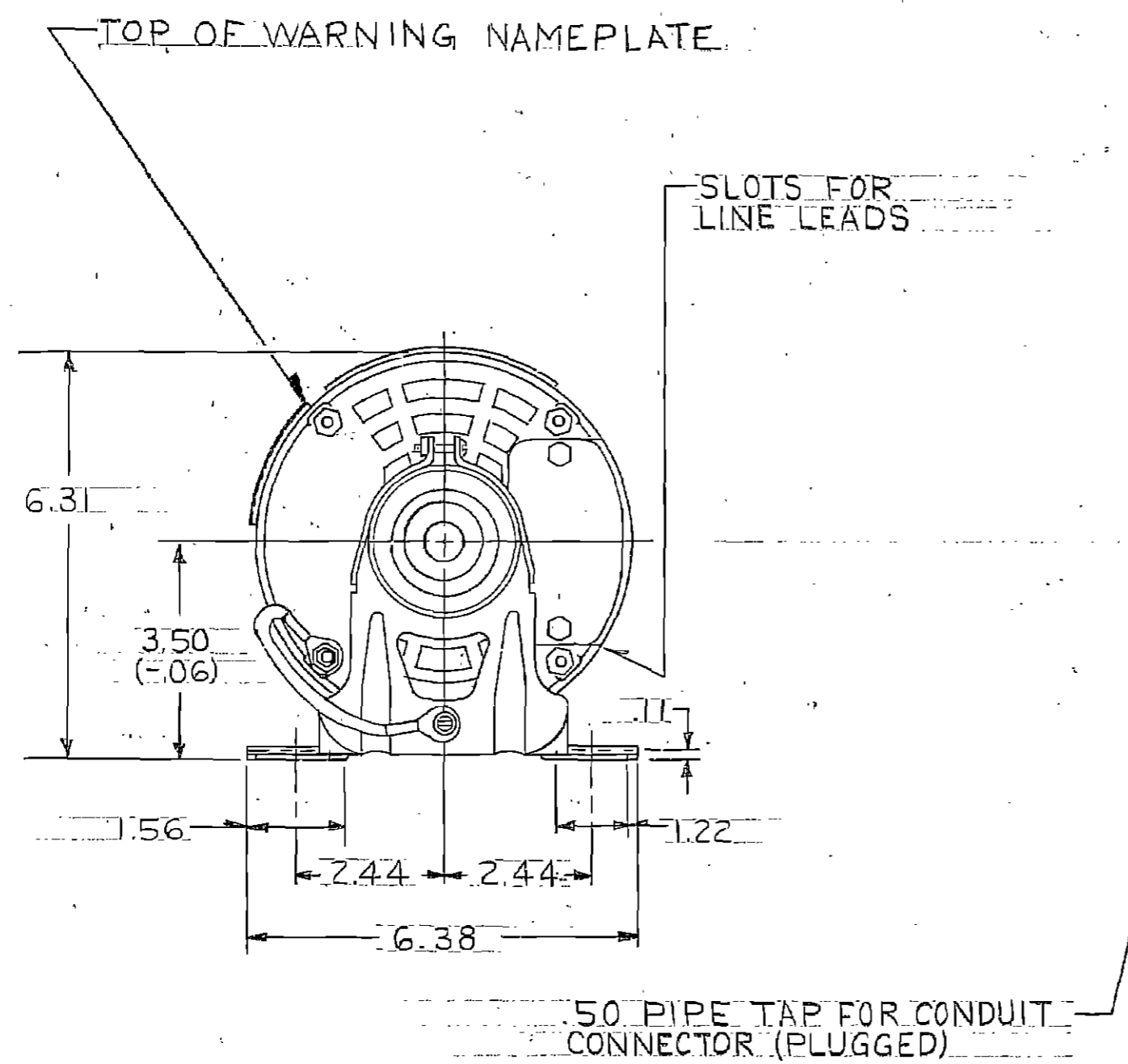
CHANGES

WARNING NAME-
 PLATE ADDED.
 PD 18317
 EWING 1-29-76

28 Holcomb 2-5-76
 [2]

THRU BOLT & BOX
 COVER SCREW HEADS
 WERE SHOWN AS
 ROUND HEADS
 PD 18364
 STOKES 12-13-85
 J. Smith 5/13/86
 R. Wood 5/21/86 [3]

ADDED GROUND LEAD
 CD44046
 3/20/01
 K. GURDON [4]



SC56	2.35	3.41	9.53
56	3.10	4.16	10.28
FRAME	AD	L	C

SYM.	IT.	DESCRIPTION & MATERIAL	REQ.	PART NUMBER
DIMENSIONS IN INCHES - SCALE		STD. TOLERANCES WHERE NONE ARE GIVEN		
DFTM.	KLINE	7-16-71	2-PLACE DECIMALS - .02 ANGLES - 1/16	
BUP. DFTM.			3-PLACE DECIMALS - .005 STOCK - SEE PD-SPEC.	
		MFG. TOLERANCES PER ASME		
ENGR.	E. J. Shannon	9-1-71	TITLE	
MFG.	J. M. Ho	9-8-71	56FR (48)	
REF. DWG.	805C687		OUTLINE	
Westinghouse		DWG. NO.		
ELECTRIC CORP. LIMA WKS.		1004B40		
LIMA, OHIO, USA				
SMALL MOTOR DIVISION				

B# 1(c)