

GENERAL INFORMATION:

SHAFT RUNOUT: .001[.025] T.I.R. PER INCH LENGTH OF EXTENSION.
 END PLAY: .010[.254] TO .063[1.600]
 BEARINGS: SLEEVE
 MOUNTING POSITION: VERTICAL SHAFT DOWN

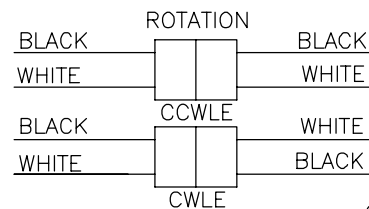
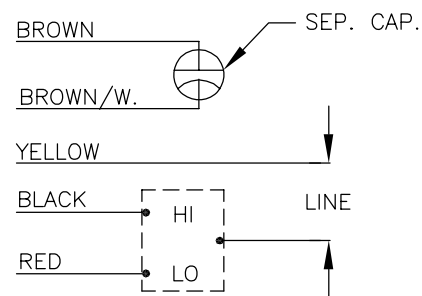
ELECTRICAL DATA:

OVERLOAD PROTECTOR: AUTOMATIC RESET (SENSATA 7AM 036)
 LEADS: NO. 18 GA., .06[1.52] THK. 125°C INSULATION
 GROUND LEAD: NO. 18 GA., .03[0.76] THK., (GREEN) INSULATION

NAMEPLATE DATA:

MODEL NO.: F48SD6L12
 CUST. P/N: []
 HP: 1/8
 ROT: REVERSIBLE
 RPM: 1075/2 SPD.
 TYPE: UF
 FRAME: 48Y
 VOLTS: 208-230
 PH: 1
 AMPS: 1.1 (1.4 MAX)
 HZ: 60
 INS: B
 AMB: 60°C
 DUTY: AIR OVER
 CAP.: 5 MFD/370 VAC
 ENCL: SEMI ENCL
 UL LOGO
 CSA LOGO
 THERMALLY PROTECTED

EXTERNAL CONNECTION DIAGRAM



614131-109

PERFORMANCE CURVE NO.	TORQUE @1625 RPM (25°C)	APPROVED SAMPLE
C23481	16.1 OZ. FT.	EX11538

UL COMPONENT		CSA	
FILE#	GUIDE#	FILE#	GUIDE#
E46412	PRGY2	LR43341	260-φ-0

GREEN(GRD)	12/13	#10 EYELET
BLACK/WHITE	3/5	REVERSING PLUG
BROWN	72/74	.25[6.35] FEMALE SPADE
BROWN/WHITE	72/74	.25[6.35] FEMALE SPADE
RED	48/50	.25[6.35] FEMALE SPADE
YELLOW	48/50	.25[6.35] FEMALE SPADE
BLACK	48/50	.25[6.35] FEMALE SPADE
COLOR	LENGTH	TERMINAL OR STRIP LENGTH

LEAD DATA

DRAWING REVISION: A	REVISION BY: P.ROJAS	DATE: 07-30-2014
ECO: ECO-0056253	APPROVED BY: T.REYES	DATE: 07-30-2014
ECO DESCRIPTION: SEE ECO		

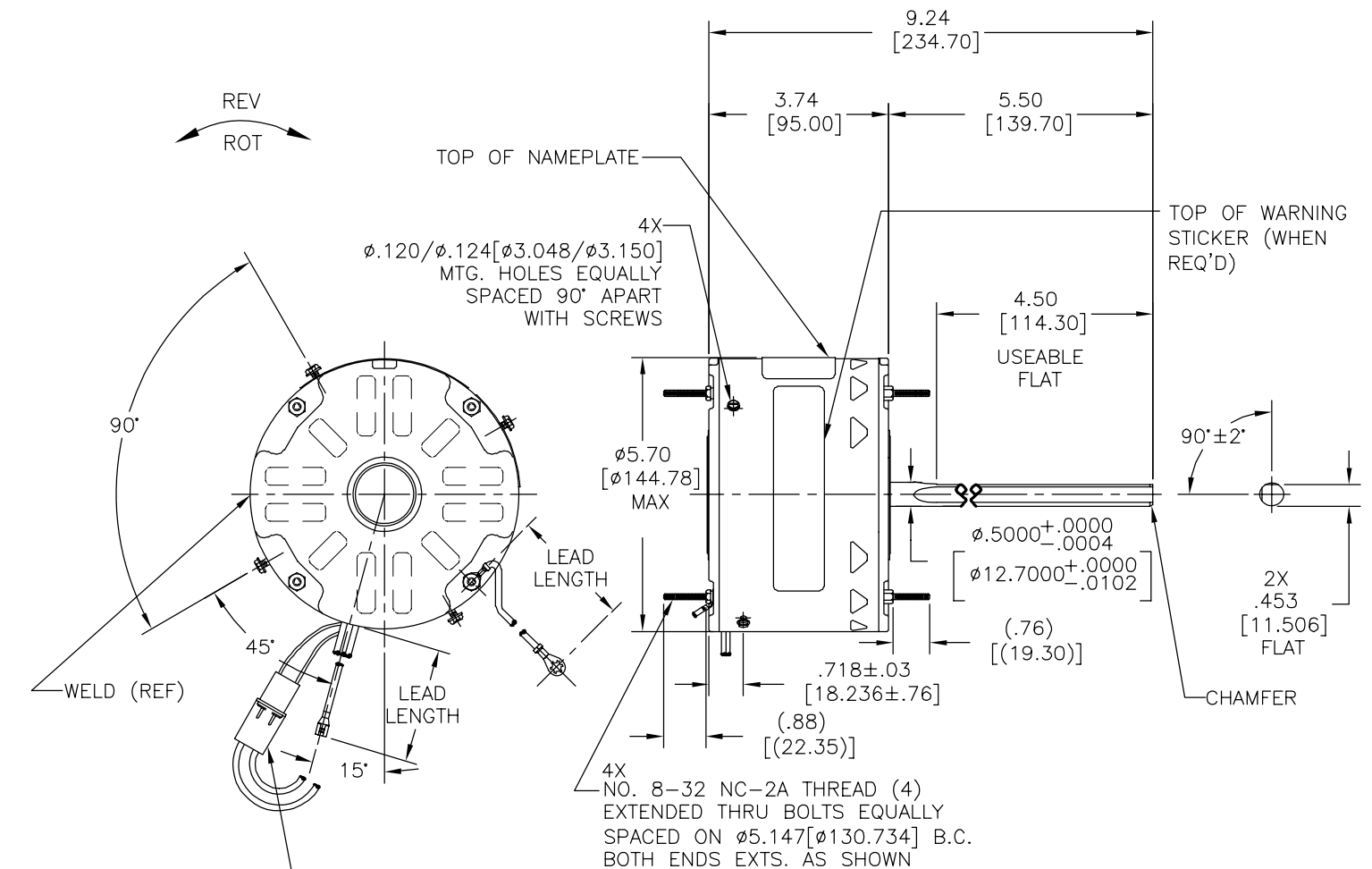
COPYRIGHT REGAL BELOIT AMERICA, INC. ALL RIGHTS RESERVED. PROPRIETARY AND CONFIDENTIAL INFORMATION - THIS DOCUMENT IS THE PROPERTY OF REGAL BELOIT AMERICA, INC. (OWNER) AND CONTAINS OWNER'S PROPRIETARY INFORMATION. ANY PERSON, CORPORATION OR OTHER FIRM RECEIVING IT IS DEEMED, BY RECEIVING IT, TO AGREE THAT IT, AND/OR ANY PART OF IT, SHALL NOT BE DISCLOSED TO ANY PERSON, CORPORATION OR OTHER ENTITY, DUPLICATED, AND/OR USED, EXCEPT AS EXPRESSLY APPROVED IN WRITING IN ADVANCE BY OWNER. THIS DOCUMENT SHALL BE RETURNED TO OWNER UPON REQUEST. IT MAY BE SUBJECT TO CERTAIN RESTRICTIONS UNDER APPLICABLE EXPORT CONTROL LAWS AND REGULATIONS.

MAIN FR.-OLE	OPEN
END FR.-OLE	OPEN
MAIN FR.-LE	CLOSED
END FR.-LE	CLOSED

ENCLOSURE

DRAWN BY: P.ROJAS	DATE: 07-30-2014
APPROVED BY: T.REYES	DATE: 07-30-2014
REFERENCE:	
THIRD ANGLE PROJECTION	

REGAL™ Regal Beloit America, Inc.	
DESCRIPTION: MODEL-RFHP-48FR OUTLINE	
MATERIAL:	PROCESS/FINISH:
SIZE DWG NO: C	ORM1016
SHEET: 1	



NOTE:

1. DISTRIBUTION PART NUMBER: ORM1016
 GRAINGER PART NUMBER: 4UY70

REGAL-BELOIT CORPORATION (RBC) PROVIDES TECHNICAL ASSISTANCE TO OUR CUSTOMERS IN SEVERAL AREAS. SINCE RBC DOES NOT RECEIVE ALL DATA CONCERNING THE USE AND APPLICATION OF THE MOTOR, THE SUITABILITY OF THE MOTOR FOR THE APPLICATION MUST BE DETERMINED BY THE CUSTOMER.

DIMENSIONS WITHOUT TOLERANCES ARE FOR REFERENCE ONLY.

CUST. SERVICE	DISTRIBUTION SERVICE
---------------	----------------------