

4

3

2

1

REV	ECO	REV BY	DATE	APPD	DATE
D	0025558	O. CARVAJAL	05-03-2012	M. AVILA	05-02-2012

GENERAL INFORMATION:

SHAFT RUNOUT: .001 [.03] T.I.R. PER INCH LENGTH OF EXTENSION

BEARINGS: BALL

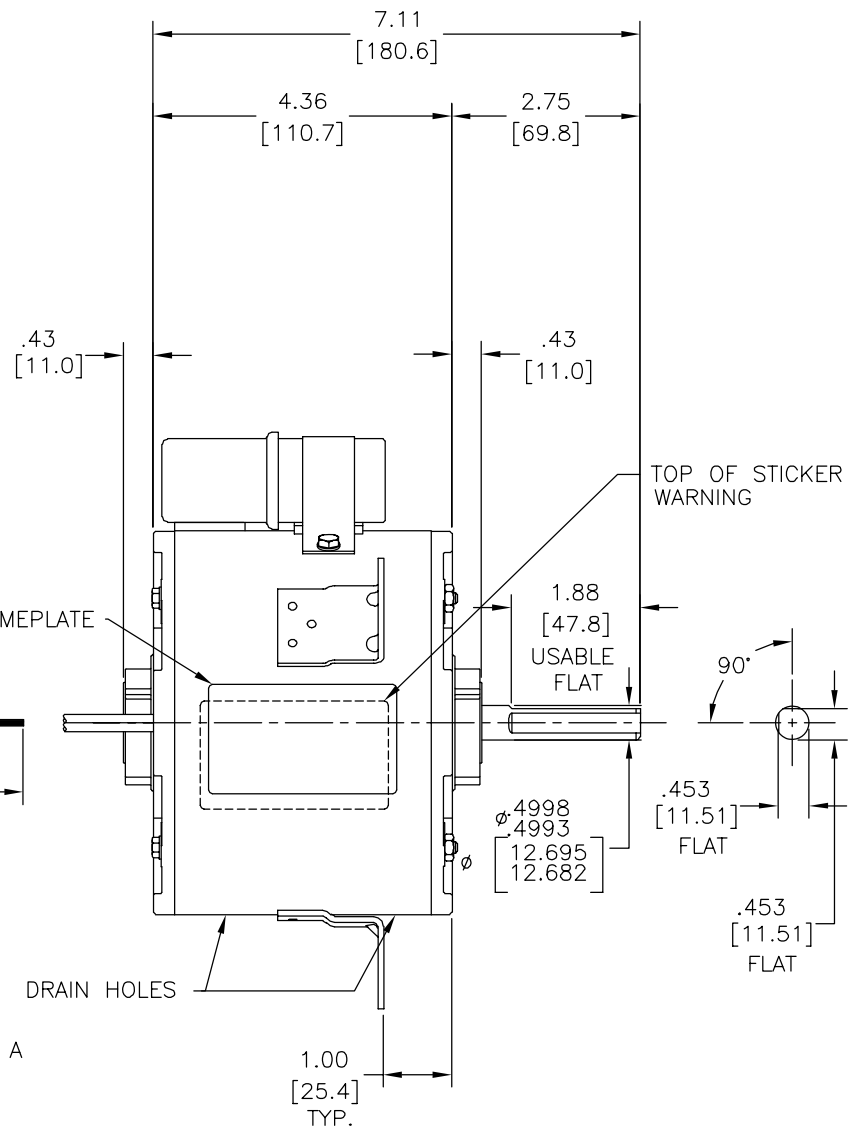
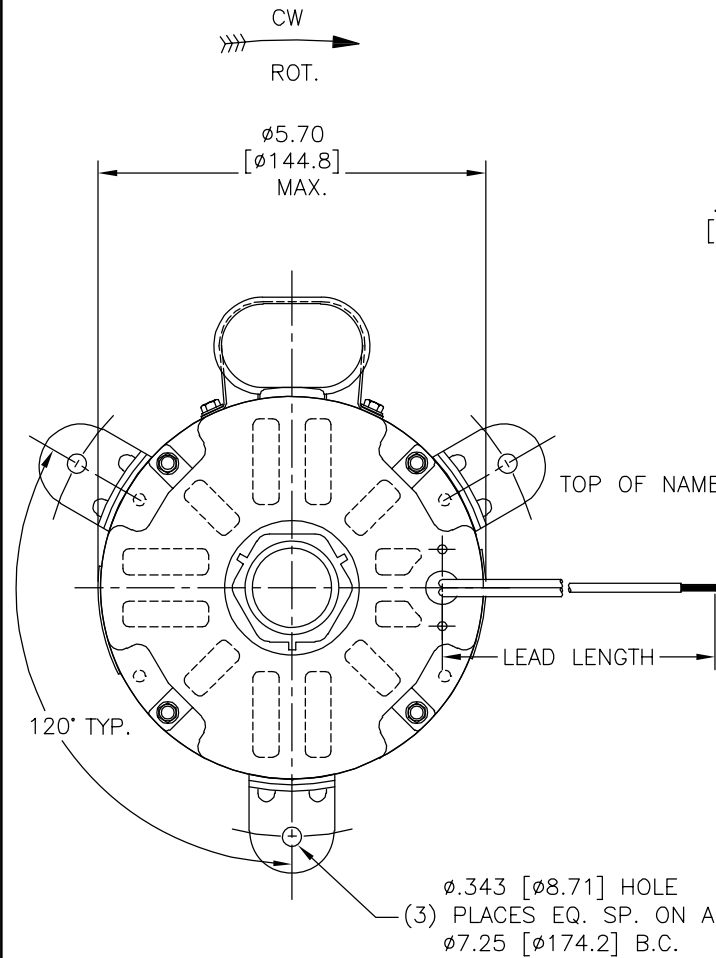
MOUNTING POSITION: VERTICAL SHAFT DOWN

ELECTRICAL DATA:

OVERLOAD PROTECTOR: AUTOMATIC RESET (T.I. 7AM 034)

LINE LEADS: NO. 14 GA., .03 [.8] THK. XLP 125°C INSUL.

CAPACITOR LEADS: NO. 18 GA., .03 [.8] THK. XLP 125°C INSUL.

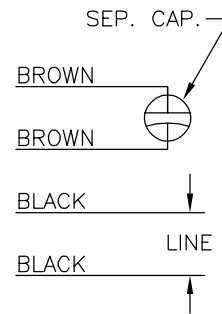


NOTE:  
EXCESS CAPACITOR LEAD WIRE MUST BE CONTAINED IN CAPACITOR COVER

NAMEPLATE DATA:

MODEL NO.: F48W35A01  
CUST. P/N: OTC1864  
HP: 1/4  
ROT.: CWLE  
RPM: 1350/1625  
TYPE: UF  
FRAME: 48Y  
VOLTS: 380-420/460  
PH: 1  
AMPS: 0.80/0.95  
HZ: 50/60  
INS.: A  
AMB.: 40° C  
DUTY: AIR OVER  
CAP.: 4 MFD/370 V  
ENCL: SEMI-ENCL.  
UL LOGO  
CSA LOGO  
THERMALLY PROTECTED

EXTERNAL CONNECTION DIAGRAM



614131-032

BROWN	CONNECTED TO CAPACITOR	.25 [6.4] FLAG
BROWN	CONNECTED TO CAPACITOR	.25 [6.4] FLAG
BLACK	39.0/41.0 [991/1041]	.50 [12.7] SKIN
BLACK	39.0/41.0 [991/1041]	.50 [12.7] SKIN
COLOR	LENGTH	TERMINAL OR STRIP LENGTH

MAIN FRAME - OLE	ENCLOSED
END FRAME - OLE	OPEN
MAIN FRAME - LE	ENCLOSED
END FRAME - LE	ENCLOSED

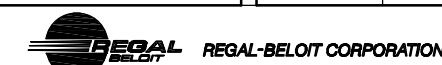
CUSTOMER	DISTRIBUTION SERVICE
----------	----------------------

PERFORMANCE CURVE NO.	TORQUE @1350 RPM (25°C)	APPROVED SAMPLE	UL COMPONENT		CSA	
			FILE #	CCN #	FILE #	CLASS #
C32488	13.2 OZ. FT.	0441064A	E46412	PRGY2	LR43341	4211-01

GEOMETRIC CHARACTERISTICS & SYMBOLS  
 □ FLATNESS  
 - STRAIGHTNESS  
 < ANGLARITY  
 ⊥ PERPENDICULARITY (SQUARENESS)  
 // PARALLELISM  
 ○ ROUNDNESS (CIRCULARITY)  
 ∅ CYLINDRICITY  
 △ PROFILE OF ANY SURFACE  
 ∇ PROFILE OF ANY LINE  
 ↑ RUNOUT  
 ⊕ TRUE POSITION  
 ⊙ CONCENTRICITY  
 = SYMMETRY  
 ASME Y14.5M 1994

REGAL-BELOIT CORPORATION (RBC) PROVIDES TECHNICAL ASSISTANCE TO OUR CUSTOMERS IN SEVERAL AREAS. SINCE RBC DOES NOT RECEIVE ALL DATA CONCERNING THE USE AND APPLICATION OF THE MOTOR, THE SUITABILITY OF THE MOTOR FOR THE APPLICATION MUST BE DETERMINED BY THE CUSTOMER.  
 DIMENSIONS WITHOUT TOLERANCES ARE FOR REFERENCE ONLY.

DR BY: JR 06-08-2005  
 APPD: BS 06-08-2005  
 THIRD ANGLE PROJECTION  
 EDS DATE 11-11-2011  
 FORMAT REV G  
 CONFIDENTIAL: THIS DRAWING AND ITS INFORMATION ARE THE EXCLUSIVE AND CONFIDENTIAL PROPERTY OF REGAL-BELOIT CORPORATION AND ARE NOT TO BE DISCLOSED, DUPLICATED, DISTRIBUTED OR OTHERWISE USED WITHOUT THE WRITTEN CONSENT OF REGAL-BELOIT CORPORATION. -ALL RIGHTS RESERVED.



DESCRIPTION	
MODEL-RFHP-48FR OUTLINE	
SIZE C	DWG NO 11993-002
SCALE NONE	SHEET 1

4

3

2

1

4

3

2

1

REVISION:	ECO	REVISADO POR:	FECHA:	APROBADO POR:	FECHA:
D	0025558	O. CARVAJAL	05-03-2012	M. AVILA	05-02-2012

GENERAL INFORMATION:

SHAFT RUNOUT: .001 [.03] T.I.R. PER INCH LENGTH OF EXTENSION

BEARINGS: BALL

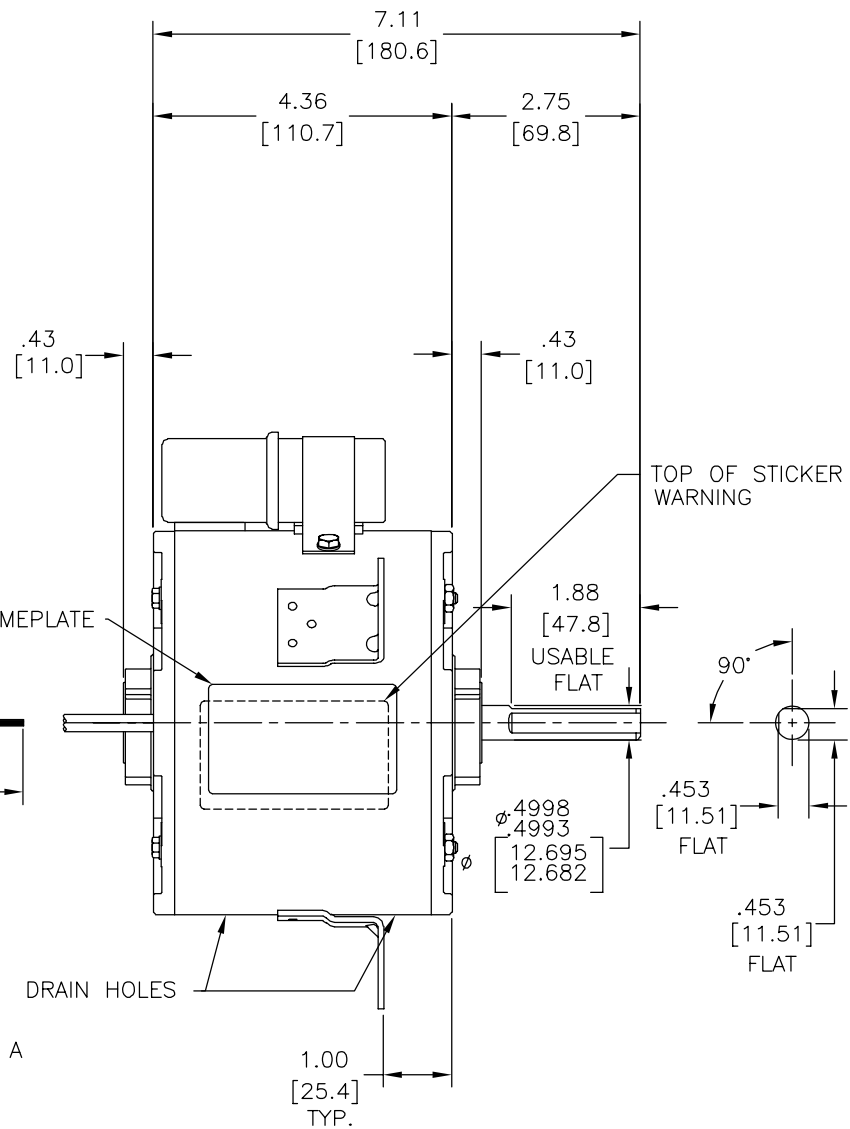
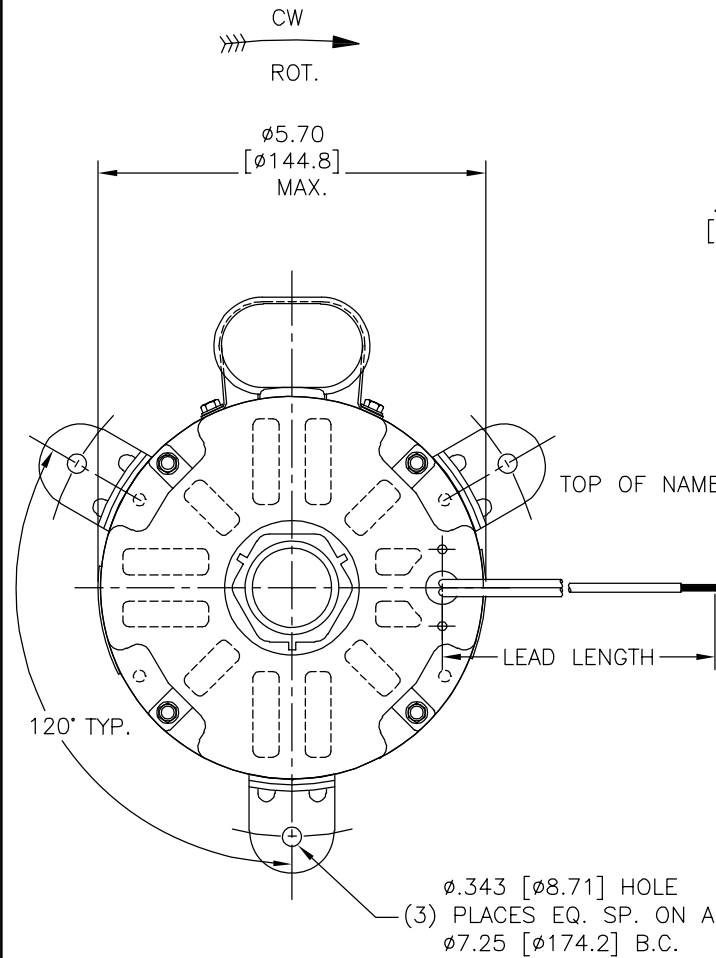
MOUNTING POSITION: VERTICAL SHAFT DOWN

ELECTRICAL DATA:

OVERLOAD PROTECTOR: AUTOMATIC RESET (T.I. 7AM 034)

LINE LEADS: NO. 14 GA., .03 [.8] THK. XLP 125°C INSUL.

CAPACITOR LEADS: NO. 18 GA., .03 [.8] THK. XLP 125°C INSUL.



NOTE:  
EXCESS CAPACITOR LEAD WIRE MUST BE CONTAINED IN CAPACITOR COVER

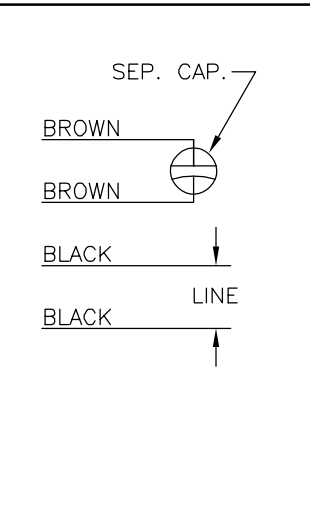
BROWN	CONNECTED TO CAPACITOR	.25 [6.4] FLAG
BROWN	CONNECTED TO CAPACITOR	.25 [6.4] FLAG
BLACK	39.0/41.0 [991/1041]	.50 [12.7] SKIN
BLACK	39.0/41.0 [991/1041]	.50 [12.7] SKIN
COLOR	LENGTH	TERMINAL OR STRIP LENGTH

MAIN FRAME - OLE	ENCLOSED
END FRAME - OLE	OPEN
MAIN FRAME - LE	ENCLOSED
END FRAME - LE	ENCLOSED
ENCLOSURE	

CUSTOMER	DISTRIBUTION SERVICE
----------	----------------------

NAMEPLATE DATA: EXTERNAL CONNECTION DIAGRAM

MODEL NO.: F48W35A01  
CUST. P/N: OTC1864  
HP: 1/4  
ROT.: CWLE  
RPM: 1350/1625  
TYPE: UF  
FRAME: 48Y  
VOLTS: 380-420/460  
PH: 1  
AMPS: 0.80/0.95  
HZ: 50/60  
INS.: A  
AMB.: 40° C  
DUTY: AIR OVER  
CAP.: 4 MFD/370 V  
ENCL: SEMI-ENCL.  
UL LOGO  
CSA LOGO  
THERMALLY PROTECTED



PERFORMANCE CURVE NO.	TORQUE @1350 RPM (25°C)	APPROVED SAMPLE	UL COMPONENT		CSA	
			FILE #	CCN #	FILE #	CLASS #
C32488	13.2 OZ. FT.	0441064A	E46412	PRGY2	LR43341	4211-01

CARACTERISTICAS DE GEOMETRIA Y SIMBOLOS  
 ✓ PLANICIDAD  
 - RECTITUD  
 < ANGULARIDAD  
 ⊥ PERPENDICULARIDAD (A ESCUADRA)  
 // PARALELISMO  
 ○ REDONDEZ (CIRCULARIDAD)  
 ∅ CILINDRICIDAD  
 △ PERFIL DE CUALQUIER SUPERFICIE  
 ∩ PERFIL DE CUALQUIER LINEA  
 ↑ VARIACION  
 ⊕ POSICION REAL  
 ⊙ CONCENTRICIDAD  
 = SIMETRIA  
 ASME Y14.5M 1994

REGAL-BELOIT CORPORATION (RBC) PROVEE ASISTENCIA TECNICA A NUESTROS CLIENTES EN VARIAS AREAS. DESDE QUE RBC NO RECIBE TODOS LOS DATOS EN RELACION AL USO Y A LA APLICACION DEL MOTOR, LA APLICACION ADECUADA DEL MOTOR DEBE SER DETERMINADA POR EL CLIENTE.

DIMENSIONES SIN TOLERANCIA SON DE REFERENCIA SOLAMENTE

DIBUJADO POR:	JR	06-08-2005
APROBADO POR:	BS	06-08-2005
TERCER ANGULO DE PROYECCION	⊕	FECHA EDS: 11-11-2011 REV. FORMATO: G
CONFIDENCIAL: ESTE DIBUJO Y SU INFORMACION SON PROPIEDAD DE USO EXCLUSIVO Y CONFIDENCIAL DE REGAL-BELOIT CORPORATION. Y NO DEBERAN SER REVELADOS, DUPLICADOS, DISTRIBUIDOS O USARSE DE OTRA MANERA SIN EL CONSENTIMIENTO ESCRITO DE REGAL-BELOIT CORPORATION. -TODOS LOS DERECHOS RESERVADOS.		

DESCRIPCION:		REGAL-BELOIT CORPORATION	
MODEL-RFHP-48FR OUTLINE			
TAMAÑO: C	NUMERO DE DIBUJO:	11993-002	
ESCALA: NONE	HOJA: 1		

4

3

2

1

4

3

2

1

版本	ECO	编制	日期	批准	日期
D	0025558	O. CARVAJAL	05-03-2012	M. AVILA	05-02-2012

GENERAL INFORMATION:

SHAFT RUNOUT: .001 [.03] T.I.R. PER INCH LENGTH OF EXTENSION

BEARINGS: BALL

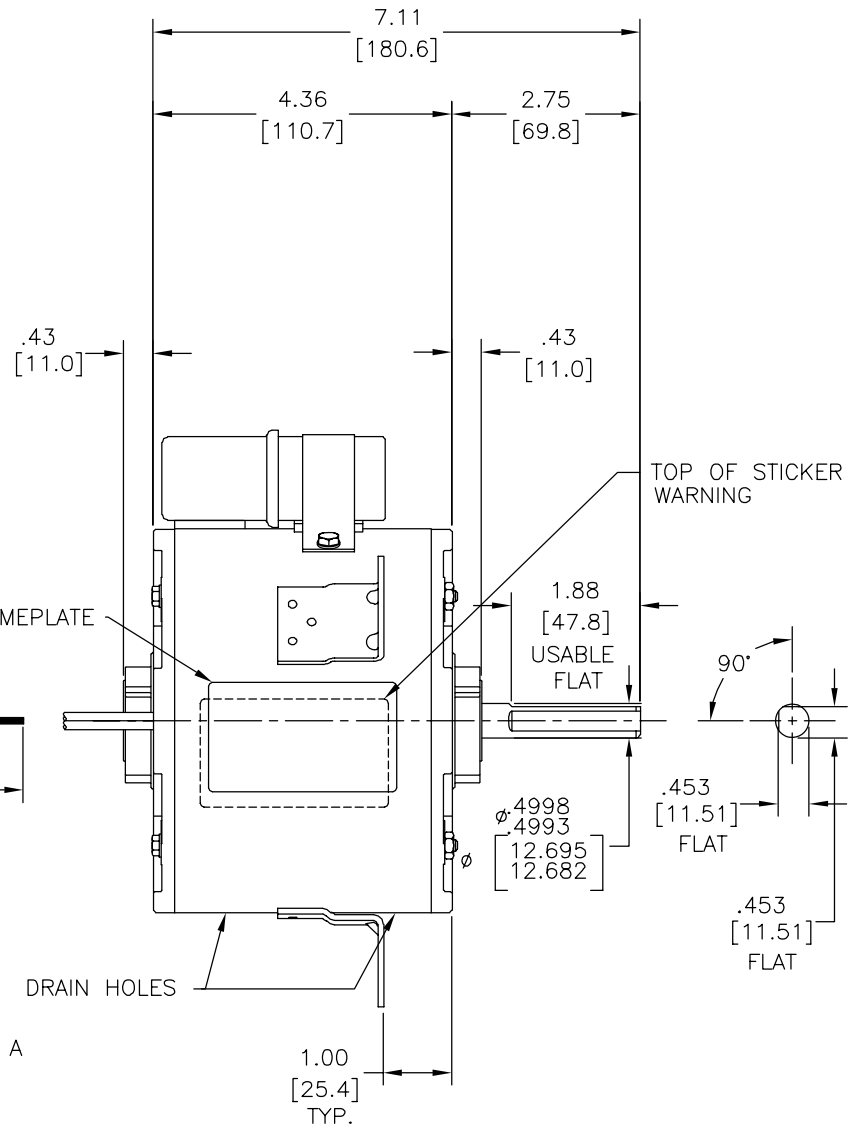
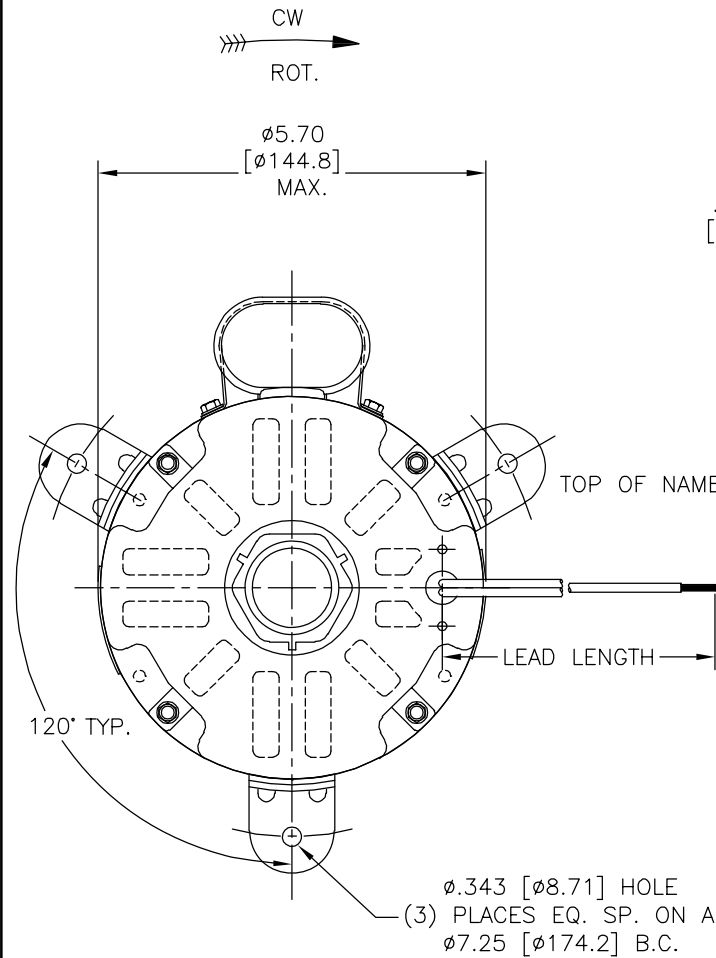
MOUNTING POSITION: VERTICAL SHAFT DOWN

ELECTRICAL DATA:

OVERLOAD PROTECTOR: AUTOMATIC RESET (T.I. 7AM 034)

LINE LEADS: NO. 14 GA., .03 [.8] THK. XLP 125°C INSUL.

CAPACITOR LEADS: NO. 18 GA., .03 [.8] THK. XLP 125°C INSUL.



BROWN	CONNECTED TO CAPACITOR	.25 [6.4] FLAG
BROWN	CONNECTED TO CAPACITOR	.25 [6.4] FLAG
BLACK	39.0/41.0 [991/1041]	.50 [12.7] SKIN
BLACK	39.0/41.0 [991/1041]	.50 [12.7] SKIN
COLOR	LENGTH	TERMINAL OR STRIP LENGTH

MAIN FRAME - OLE	ENCLOSED
END FRAME - OLE	OPEN
MAIN FRAME - LE	ENCLOSED
END FRAME - LE	ENCLOSED

CUSTOMER	DISTRIBUTION SERVICE
----------	----------------------

NAMEPLATE DATA:	EXTERNAL CONNECTION DIAGRAM
MODEL NO.: F48W35A01 CUST. P/N: OTC1864 HP: 1/4 ROT.: CWLE RPM: 1350/1625 TYPE: UF FRAME: 48Y VOLTS: 380-420/460 PH: 1 AMPS: 0.80/0.95 HZ: 50/60 INS.: A AMB.: 40° C DUTY: AIR OVER CAP.: 4 MFD/370 V ENCL: SEMI-ENCL. UL LOGO CSA LOGO THERMALLY PROTECTED	

PREFORMANCE CURVE NO.	TORQUE @1350 RPM (25°C)	APPROVED SAMPLE	UL COMPONENT	CSA
C32488	13.2 OZ. FT.	0441064A	FILE # CCN # FILE # CLASS #	FILE # CLASS #

REGAL-BELOIT CORPORATION (RBC) 在个别领域为客户提供技术支持。鉴于RBC未收到任何涉及电机使用和应用环境的数据，电机的适用性由客户自己决定。

未注公差尺寸仅供参考。

ASME Y14.5M 1994

REGAL-BELOIT CORPORATION

名称: JR 06-08-2005

批准: BS 06-08-2005

第三角投影

图幅: C 图号: 11993-002

比例: NONE

页号: 1

REGAL-BELOIT CORPORATION

名称: MODEL-RFHP-48FR OUTLINE

图幅: C 图号: 11993-002

比例: NONE

页号: 1

4

3

2

1