

4

3

2

1

REV	ECO	REV BY	DATE	APPD	DATE
G	ECO-0024063	jrupert	01-17-2012	jrupert	01-17-2012

GENERAL INFORMATION:

SHAFT RUNOUT: .001 [.03] T.I.R. PER INCH LENGTH OF EXTENSION

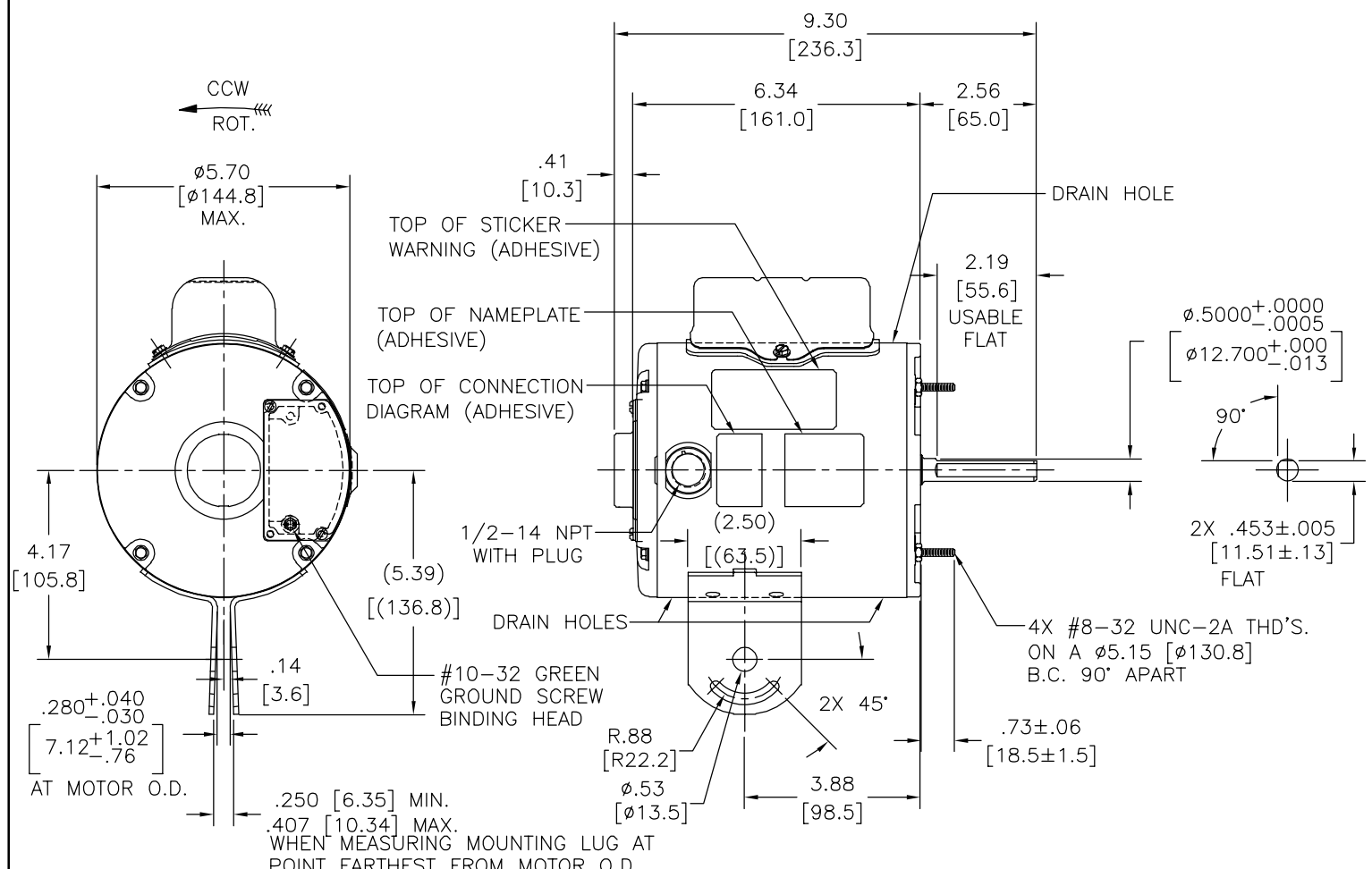
BEARINGS: BALL

MOUNTING POSITION: ALL ANGLE

ELECTRICAL DATA:

OVERLOAD PROTECTOR: AUTOMATIC RESET (T.I. 7AM 036)

LEADS: NO. 18 GA., .03 [.8] THK. XLP 125°C INSUL.



NAMEPLATE DATA:	EXTERNAL CONNECTION DIAGRAM																																																				
MODEL NO.: F48Z01A01 CUST. P/N: 970A HP: 1/3 ROT.: CCWLE RPM: 1725 TYPE: UF FRAME: 48Y VOLTS: 115/230 PH: 1 AMPS: 3.0/1.5//4.0/2.0 HZ: 60/50 INS.: B AMB.: 40° C DUTY: AIR OVER CAP.: 10 MFD/370 V ENCL: ENCLOSED UL LOGO CSA LOGO THERMALLY PROTECTED	<table border="0"> <tr> <td>BLUE</td><td>—</td><td>L2</td><td rowspan="4">LINE</td></tr> <tr> <td>BROWN</td><td>—</td><td>B</td></tr> <tr> <td>WHITE</td><td>—</td><td>A</td></tr> <tr> <td>ORANGE</td><td>—</td><td>A</td></tr> <tr> <td>BLACK</td><td>—</td><td>L1</td><td rowspan="4">LINE</td></tr> <tr> <td>RED</td><td>—</td><td>L1</td></tr> <tr> <td>YELLOW</td><td>—</td><td>L1</td></tr> <tr> <td colspan="3">HIGH VOLTS</td></tr> <tr> <td>BLUE</td><td>—</td><td>L2</td><td rowspan="4">LINE</td></tr> <tr> <td>BROWN</td><td>—</td><td>A</td></tr> <tr> <td>ORANGE</td><td>—</td><td>A</td></tr> <tr> <td>BLACK</td><td>—</td><td>L1</td></tr> <tr> <td>RED</td><td>—</td><td>L1</td><td rowspan="3">LINE</td></tr> <tr> <td>WHITE</td><td>—</td><td>L1</td></tr> <tr> <td>YELLOW</td><td>—</td><td>L1</td></tr> <tr> <td colspan="3">LOW VOLTS</td></tr> </table>	BLUE	—	L2	LINE	BROWN	—	B	WHITE	—	A	ORANGE	—	A	BLACK	—	L1	LINE	RED	—	L1	YELLOW	—	L1	HIGH VOLTS			BLUE	—	L2	LINE	BROWN	—	A	ORANGE	—	A	BLACK	—	L1	RED	—	L1	LINE	WHITE	—	L1	YELLOW	—	L1	LOW VOLTS		
BLUE	—	L2	LINE																																																		
BROWN	—	B																																																			
WHITE	—	A																																																			
ORANGE	—	A																																																			
BLACK	—	L1	LINE																																																		
RED	—	L1																																																			
YELLOW	—	L1																																																			
HIGH VOLTS																																																					
BLUE	—	L2	LINE																																																		
BROWN	—	A																																																			
ORANGE	—	A																																																			
BLACK	—	L1																																																			
RED	—	L1	LINE																																																		
WHITE	—	L1																																																			
YELLOW	—	L1																																																			
LOW VOLTS																																																					

BLACK	CONNECTED TO CAPACITOR	.25 [6.4] FLAG
WHITE	CONNECTED TO CAPACITOR	.25 [6.4] FLAG
BLUE	5.0/6.0 [127/152]	.25 [6.4] FLAG
BROWN	5.0/6.0 [127/152]	.25 [6.4] FLAG
ORANGE	5.0/6.0 [127/152]	.25 [6.4] FLAG
BLACK	5.0/6.0 [127/152]	.25 [6.4] FLAG
RED	5.0/6.0 [127/152]	.25 [6.4] FLAG
WHITE	5.0/6.0 [127/152]	.25 [6.4] FLAG
YELLOW	5.0/6.0 [127/152]	.25 [6.4] FLAG
COLOR	LENGTH	TERMINAL OR STRIP LENGTH

- NOTES:
- MOTOR TO BE SHIPPED CONNECTED FOR 115 VOLTS.
 - (4) LOCKWASHERS 1024B20H01
(4) HEX NUTS 368C210H05 TO BE PUT IN POLY BAG AND SHIPPED SEPARATE WITH EACH MOTOR.

MAIN FRAME - OLE	ENCLOSED
END FRAME - OLE	ENCLOSED
MAIN FRAME - LE	ENCLOSED
END FRAME - LE	ENCLOSED

CUSTOMER	DISTRIBUTION SERVICE
----------	----------------------

PERFORMANCE CURVE NO.	TORQUE @ 1725 RPM (25°C)	APPROVED SAMPLE	UL COMPONENT	CSA
C32686	14.4 OZ. FT.	0603156B	FILE # CCN # FILE # CLASS #	E46412 PRGY2 LR43341 4211-01

GEOMETRIC CHARACTERISTICS & SYMBOLS
 □ FLATNESS
 — STRAIGHTNESS
 < ANGULARITY
 ⊥ PERPENDICULARITY (SQUARENESS)
 // PARALLELISM
 ○ ROUNDNESS (CIRCULARITY)
 ∅ CYLINDRICITY
 △ PROFILE OF ANY SURFACE
 ∩ PROFILE OF ANY LINE
 ↑ RUNOUT
 ⊕ TRUE POSITION
 ⊙ CONCENTRICITY
 = SYMMETRY
 ASME Y14.5M 1994

A.O. SMITH PROVIDES TECHNICAL ASSISTANCE TO OUR CUSTOMERS IN SEVERAL AREAS. SINCE A.O. SMITH DOES NOT RECEIVE ALL DATA CONCERNING THE USE AND APPLICATION OF THE MOTOR, THE SUITABILITY OF THE MOTOR FOR THE APPLICATION MUST BE DETERMINED BY THE CUSTOMER.
 DIMENSIONS WITHOUT TOLERANCES ARE FOR REFERENCE ONLY.

DR BY: RALF 04-17-2007
 APPD: TR 02-25-2008
 THIRD ANGLE PROJECTION
 EDS DATE 11-11-2011
 FORMAT REV G
 CONFIDENTIAL: THIS DRAWING AND ITS INFORMATION ARE THE EXCLUSIVE AND CONFIDENTIAL PROPERTY OF REGAL-BELOIT CORPORATION AND ARE NOT TO BE DISCLOSED, DUPLICATED, DISTRIBUTED OR OTHERWISE USED WITHOUT THE WRITTEN CONSENT OF REGAL-BELOIT CORPORATION. -ALL RIGHTS RESERVED.

REGAL-BELOIT CORPORATION

DESCRIPTION: MODEL-RFHP-48FR OUTLINE

SIZE: C DWG NO: 970A

SCALE: NONE SHEET: 1

4

3

2

1

4

3

2

1

REVISION:	ECO	REVISADO POR:	FECHA:	APROBADO POR:	FECHA:
G	ECO-0024063	jrupert	01-17-2012	jrupert	01-17-2012

INFORMACION GENERAL:

OSCILACION DE FLECHA: .001 [.03] T.I.R. PER INCH LENGTH OF EXTENSION

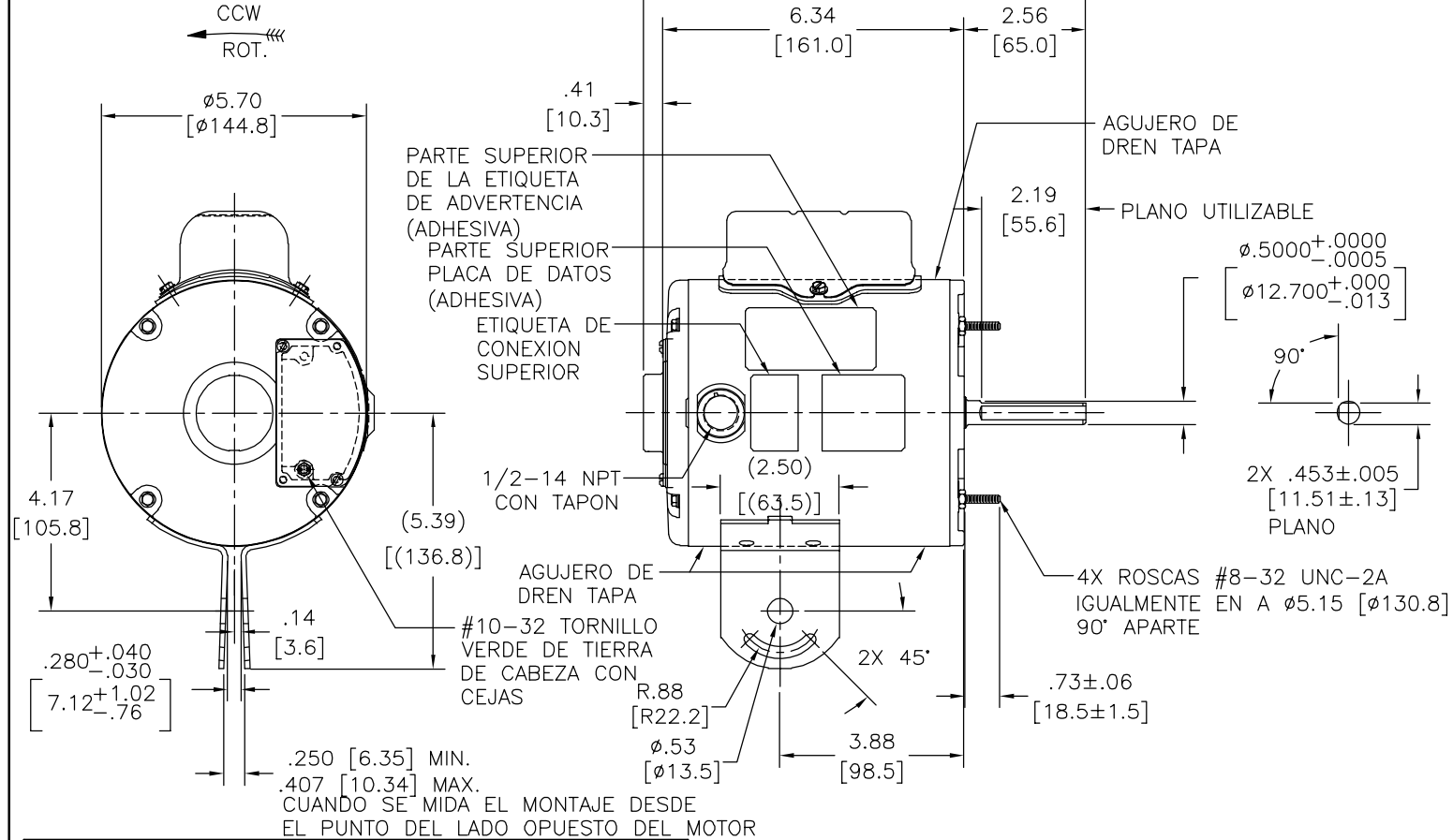
BALEROS: BALERO

POSICION DEL MONTAJE: TODOS LOS ANGULOS

INFORMACION ELECTRICA:

PROTECTOR DE SOBRECARGA: REINICIO AUTOMATIC (T.I. 7AM 036)

CABLES: NO. 18 GA., .03 [.8] THK. XLP 125°C AISLAM.



INFORMACION DE ETIQUETA:	DIAGRAMA DE CONEXION EXTRNA
MODEL NO.: F48Z01A01 CUST. P/N: 970A HP: 1/3 ROT.: CCWLE RPM: 1725 TYPE: UF FRAME: 48Y VOLTS: 115/230 PH: 1 AMPS: 3.0/1.5//4.0/2.0 HZ: 60/50 INS.: B AMB.: 40° C DUTY: AIR OVER CAP.: 10 MFD/370 V ENCL: ENCLOSED UL LOGO CSA LOGO THERMALLY PROTECTED	

NEGRO	CONNECTED TO CAPACITOR	.25 [6.4] BANDERA
BLANCO	CONNECTED TO CAPACITOR	.25 [6.4] BANDERA
AZUL	5.0/6.0 [127/152]	.25 [6.4] BANDERA
CAFE	5.0/6.0 [127/152]	.25 [6.4] BANDERA
NARANJA	5.0/6.0 [127/152]	.25 [6.4] BANDERA
NEGRO	5.0/6.0 [127/152]	.25 [6.4] BANDERA
ROJO	5.0/6.0 [127/152]	.25 [6.4] BANDERA
BLANCO	5.0/6.0 [127/152]	.25 [6.4] BANDERA
AMARILLO	5.0/6.0 [127/152]	.25 [6.4] BANDERA
COLOR	LONGITUD	TERMINAL O LONGITUD DE DESFORRE

CARCASA - LOC	ENCERRADO
TAPA - LOC	ENCERRADO
CARCASA - LC	ENCERRADO
TAPA - LC	ENCERRADO
TIPO DE MOTOR	

CLIENTE	DISTRIBUTION SERVICE
---------	----------------------

CURVAS DE FUNCIONAMIENTO	TORSION @ 1725 RPM (25°C)	MUESTRA APROBADA	COMPONENTE UL	CSA
C32686	14.4 OZ. FT.	0603156B	#ARCHIVO PRGY2 LR43341	CLASE # 4211-01

CARACTERISTICAS DE GEOMETRIA Y SIMBOLOS
 □ PLANICIDAD
 — RECTITUD
 ∠ ANGULARIDAD
 ⊥ PERPENDICULARIDAD (A ESQUADRA)
 // PARALELISMO
 ○ REDONDEZ (CIRCULARIDAD)
 ∅ CILINDRICIDAD
 △ PERFIL DE CUALQUIER SUPERFICIE
 ∩ PERFIL DE CUALQUIER LINEA
 ↗ VARIACION
 ⊕ POSICION REAL
 ⊙ CONCENTRICIDAD
 = SIMETRIA
 ASME Y14.5M 1994

A.O. SMITH PROVEE ASISTENCIA TECNICA A NUESTROS CLIENTES EN VARIAS AREAS. DESDE QUE A.O. SMITH NO RECIBE TODOS LOS DATOS EN RELACION AL USO Y A LA APLICACION DEL MOTOR, LA APLICACION ADECUADA DEL MOTOR DEBE SER DETERMINADA POR EL CLIENTE.
 DIMENSIONES SIN TOLERANCIA SON DE REFERENCIA SOLAMENTE

DIBUJADO POR: RALF 04-17-2007
 APROBADO POR: TR 02-25-2008
 TERCER ANGULO DE PROYECCION
 FECHA EDS: 11-11-2011
 REV. FORMATO: G
 CONFIDENCIAL: ESTE DIBUJO Y SU INFORMACION SON PROPIEDAD DE USO EXCLUSIVO Y CONFIDENCIAL DE REGAL-BELOIT CORPORATION. Y NO DEBERAN SER REVELADOS, DUPLICADOS, DISTRIBUIDOS O USARSE DE OTRA MANERA SIN EL CONSENTIMIENTO ESCRITO DE REGAL-BELOIT CORPORATION. -TODOS LOS DERECHOS RESERVADOS.

REGAL-BELOIT CORPORATION
 DESCRIPCION: MODEL-RFHP-48FR OUTLINE
 TAMAÑO: C NUMERO DE DIBUJO: 970A
 ESCALA: NONE HOJA: 1

4

3

2

1

4

3

2

1

总技术要求:

轴跳动: .001[.03]/1[25.4]外伸轴

轴承: 球轴承

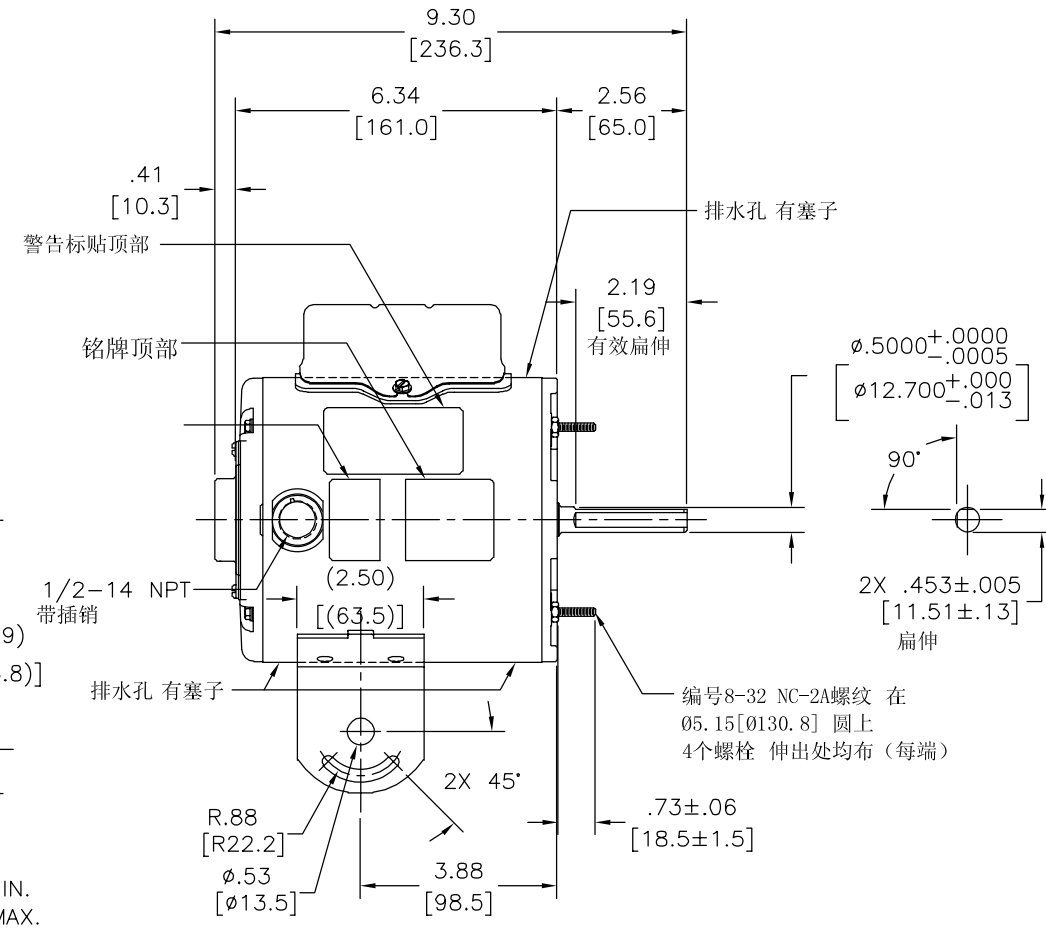
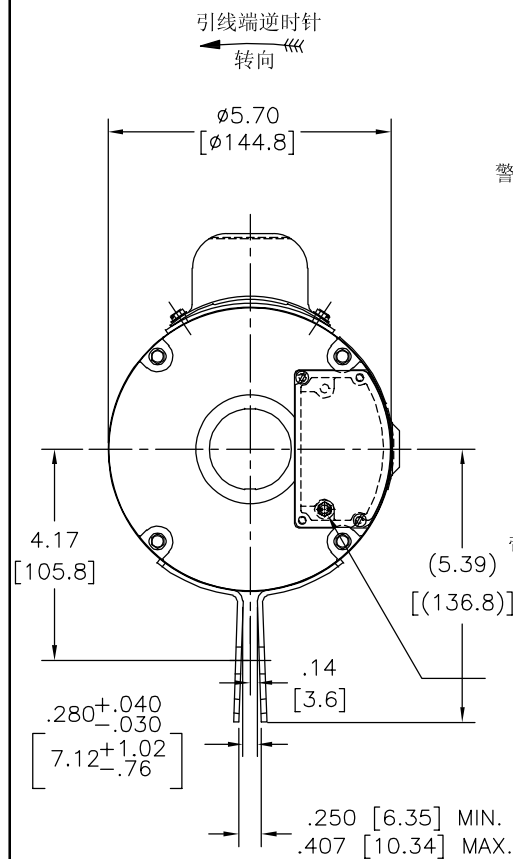
安装位置: 全方位

电气数据:

过载保护: 自动复位 (T.I. 7AM 036)

引线: 18# (美制标准), 厚.03[.8] XLP 125° C 绝缘

版本	ECO	编制	日期	批准	日期
G	ECO-0024063	jrupert	01-17-2012	jrupert	01-17-2012



铭牌数据	外部数据线																																																	
MODEL NO.: F48Z01A01 CUST. P/N: 970A HP: 1/3 ROT.: CCWLE RPM: 1725 TYPE: UF FRAME: 48Y VOLTS: 115/230 PH: 1 AMPS: 3.0/1.5//4.0/2.0 HZ: 60/50 INS.: B AMB.: 40° C DUTY: AIR OVER CAP.: 10 MFD/370 V ENCL: ENCLOSED UL LOGO CSA LOGO THERMALLY PROTECTED	<table border="0"> <tr> <td>BLUE</td> <td>—</td> <td>L2</td> <td rowspan="2">LINE</td> </tr> <tr> <td>BROWN</td> <td>—</td> <td>B</td> </tr> <tr> <td>WHITE</td> <td>—</td> <td>A</td> <td rowspan="2">LINE</td> </tr> <tr> <td>ORANGE</td> <td>—</td> <td>A</td> </tr> <tr> <td>BLACK</td> <td>—</td> <td>L1</td> <td rowspan="2">HIGH VOLTS</td> </tr> <tr> <td>RED</td> <td>—</td> <td>L1</td> </tr> <tr> <td>YELLOW</td> <td>—</td> <td>L1</td> <td rowspan="2">LINE</td> </tr> <tr> <td>BLUE</td> <td>—</td> <td>L2</td> </tr> <tr> <td>BROWN</td> <td>—</td> <td>B</td> <td rowspan="2">LINE</td> </tr> <tr> <td>ORANGE</td> <td>—</td> <td>A</td> </tr> <tr> <td>BLACK</td> <td>—</td> <td>L1</td> <td rowspan="2">LOW VOLTS</td> </tr> <tr> <td>RED</td> <td>—</td> <td>L1</td> </tr> <tr> <td>WHITE</td> <td>—</td> <td>L1</td> <td rowspan="2">LINE</td> </tr> <tr> <td>YELLOW</td> <td>—</td> <td>L1</td> </tr> </table>	BLUE	—	L2	LINE	BROWN	—	B	WHITE	—	A	LINE	ORANGE	—	A	BLACK	—	L1	HIGH VOLTS	RED	—	L1	YELLOW	—	L1	LINE	BLUE	—	L2	BROWN	—	B	LINE	ORANGE	—	A	BLACK	—	L1	LOW VOLTS	RED	—	L1	WHITE	—	L1	LINE	YELLOW	—	L1
BLUE	—	L2	LINE																																															
BROWN	—	B																																																
WHITE	—	A	LINE																																															
ORANGE	—	A																																																
BLACK	—	L1	HIGH VOLTS																																															
RED	—	L1																																																
YELLOW	—	L1	LINE																																															
BLUE	—	L2																																																
BROWN	—	B	LINE																																															
ORANGE	—	A																																																
BLACK	—	L1	LOW VOLTS																																															
RED	—	L1																																																
WHITE	—	L1	LINE																																															
YELLOW	—	L1																																																

颜色	长度	端子或剥线长度
黑	CONNECTED TO CAPACITOR	.25 [6.4] 旗形插
白	CONNECTED TO CAPACITOR	.25 [6.4] 旗形插
蓝	5.0/6.0 [127/152]	.25 [6.4] 旗形插
棕	5.0/6.0 [127/152]	.25 [6.4] 旗形插
橙	5.0/6.0 [127/152]	.25 [6.4] 旗形插
黑	5.0/6.0 [127/152]	.25 [6.4] 旗形插
红	5.0/6.0 [127/152]	.25 [6.4] 旗形插
白	5.0/6.0 [127/152]	.25 [6.4] 旗形插
蓝	5.0/6.0 [127/152]	.25 [6.4] 旗形插
颜色	长度	端子或剥线长度

无引线端机壳	密封
无引线端端盖	密封
有引线端机壳	密封
有引线端端盖	密封

性能曲线编号	转矩在 @ 1725 RPM (25° C)	批准样品	UL部件	CSA
C32686	14.4 OZ. FT.	0603156B	文件号 指南	文件号 指南
			E46412 PRGY2	LR43341 4211-01

- 形位公差
- 平面度
- 直线度
- ∠ 倾斜度
- ⊥ 垂直度
- // 平行度
- 圆度
- ⊘ 圆柱度
- ⊖ 面轮廓度
- ⊖ 线轮廓度
- ⤴ 圆跳动
- ⊕ 位置度
- ⊙ 同轴度
- ≡ 对称度

A. O. SMITH在个别领域为客户提供技术支持。鉴于A. O. SMITH未收到任何涉及电机使用和应用环境的数据, 电机的适用性由客户自己决定。

未注公差尺寸仅供参考。

绘图:	RALF	04-17-2007
批准:	TR	02-25-2008
第三角投影		图纸格式发布日期 11-11-2011 图纸格式版本 G
机密:	本图纸及相关信息所有权归REGAL-BELOIT CORPORATION未经REGAL-BELOIT CORPORATION书面授权, 不得泄露、复制、传播或作其他用途。—版权所有	

名称		REGAL-BELOIT CORPORATION	
MODEL-RFHP-48FR		OUTLINE	
图幅	C	图号	970A
比例	NONE	页号	1

4

3

2

1