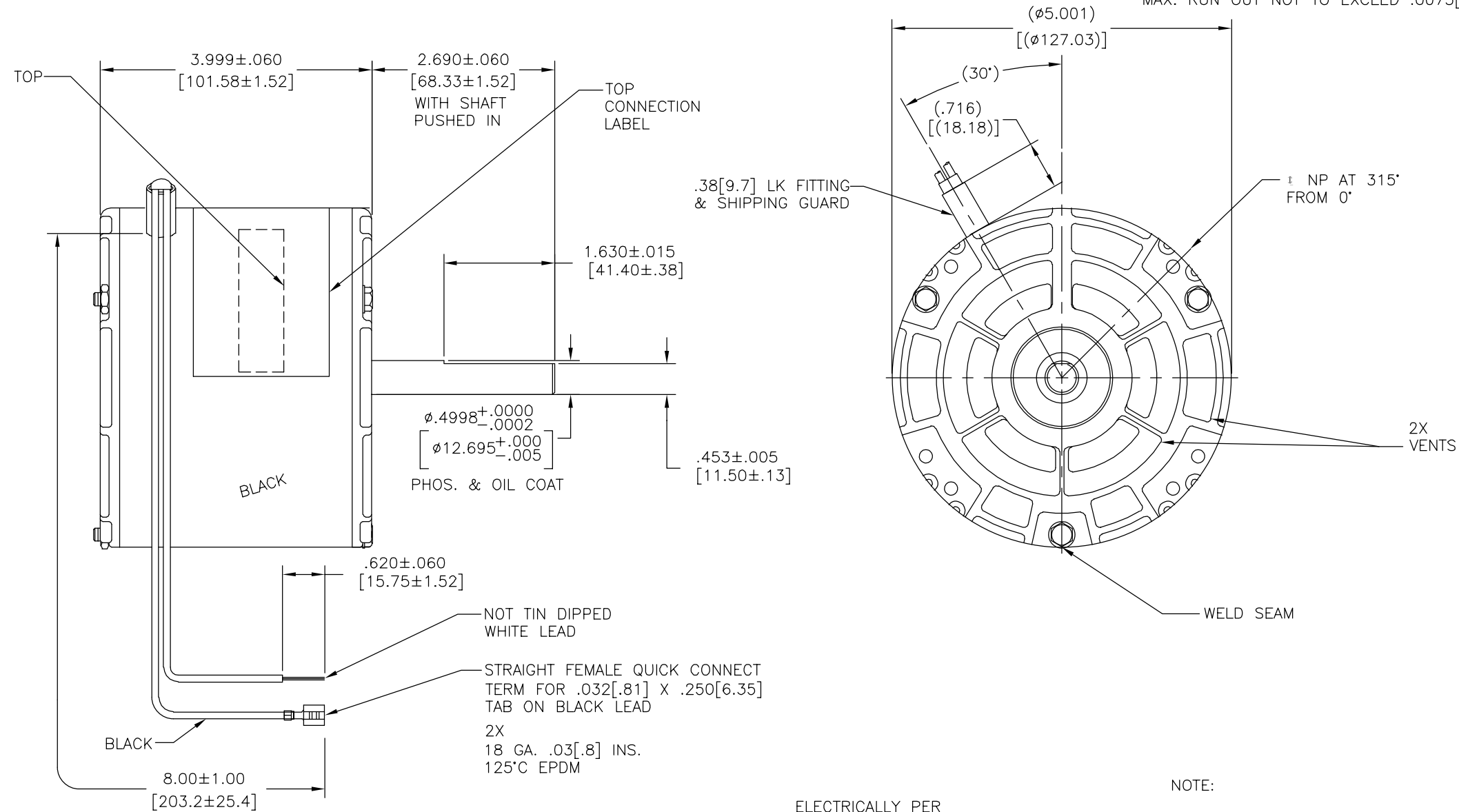


CUSTOMER IS SOLELY RESPONSIBLE FOR MOTOR PERFORMANCE AND SUITABILITY IN APPLICATIONS FOR CUSTOMER'S USES.

END PLAY .005[.13] MIN - .040[1.02] MAX
 MAX. SHAFT RUN OUT .001[.03] PER INCH
 MAX. RUN OUT NOT TO EXCEED .0075[.191]



NOTE:

1. DISTRIBUTION PART NUMBER: OBR40016
 GRAINGER PART NUMBER: 4VA25

ELECTRICALLY PER
 SAMPLE 0443186C
 CURVE# 32392

SEE NOTE 1

SCHEMATIC-283

ROT.:— CCWLE—CWSE

NAMEPLATE DATA:

Century TIPP CITY, OHIO THERMALLY PROTECTED

SER. DATE & PO# PLT LTR MOD DA3F173N"

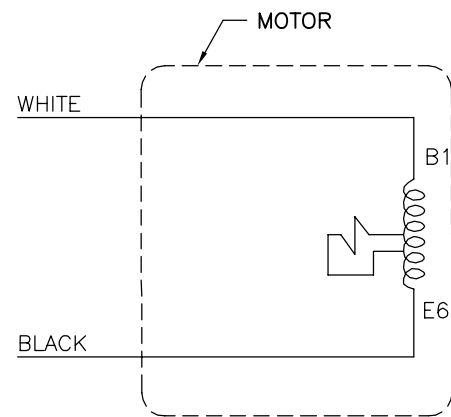
VOLTS 115 HZ 60 AMPS 3.72

RPM 1100 SP PH 1 CAP

INS CLB AMB 40 °C HP1/10 CONT AO ← ROTATION →

BRG SLV ASSEMBLED IN MEXICO

CONN. DIAG.
 63T7432-207



DRAWING REVISION E	REVISION BY P.ROJAS	DATE 06-12-2014
ECO ECO-0052992	APPROVED BY T.REYES	DATE 06-12-2014
ADDED CONNECTION DIAGRAM LOCATION		

COPYRIGHT REGAL BELOIT AMERICA, INC. ALL RIGHTS RESERVED. PROPRIETARY AND CONFIDENTIAL INFORMATION - THIS DOCUMENT IS THE PROPERTY OF REGAL BELOIT AMERICA, INC. (OWNER) AND CONTAINS OWNER'S PROPRIETARY INFORMATION. ANY PERSON, CORPORATION OR OTHER FIRM RECEIVING IT IS DEEMED, BY RECEIVING IT, TO AGREE THAT IT, AND/OR ANY PART OF IT, SHALL NOT BE DISCLOSED TO ANY PERSON, CORPORATION OR OTHER ENTITY, DUPLICATED, AND/OR USED, EXCEPT AS EXPRESSLY APPROVED IN WRITING IN ADVANCE BY OWNER. THIS DOCUMENT SHALL BE RETURNED TO OWNER UPON REQUEST. IT MAY BE SUBJECT TO CERTAIN RESTRICTIONS UNDER APPLICABLE EXPORT CONTROL LAWS AND REGULATIONS.

DRAWN BY: L.BERNAL	DATE: 10-17-2012
APPROVED BY: A.BAUGHMAN	DATE: 10-17-2012
REFERENCE	
THIRD ANGLE PROJECTION	

REGAL Regal Beloit America, Inc.	
DESCRIPTION	MODEL-CFHP-42FR OUTLINE
MATERIAL	PROCESS/FINISH
SIZE DWG NO C DA3F7173	SHEET 1