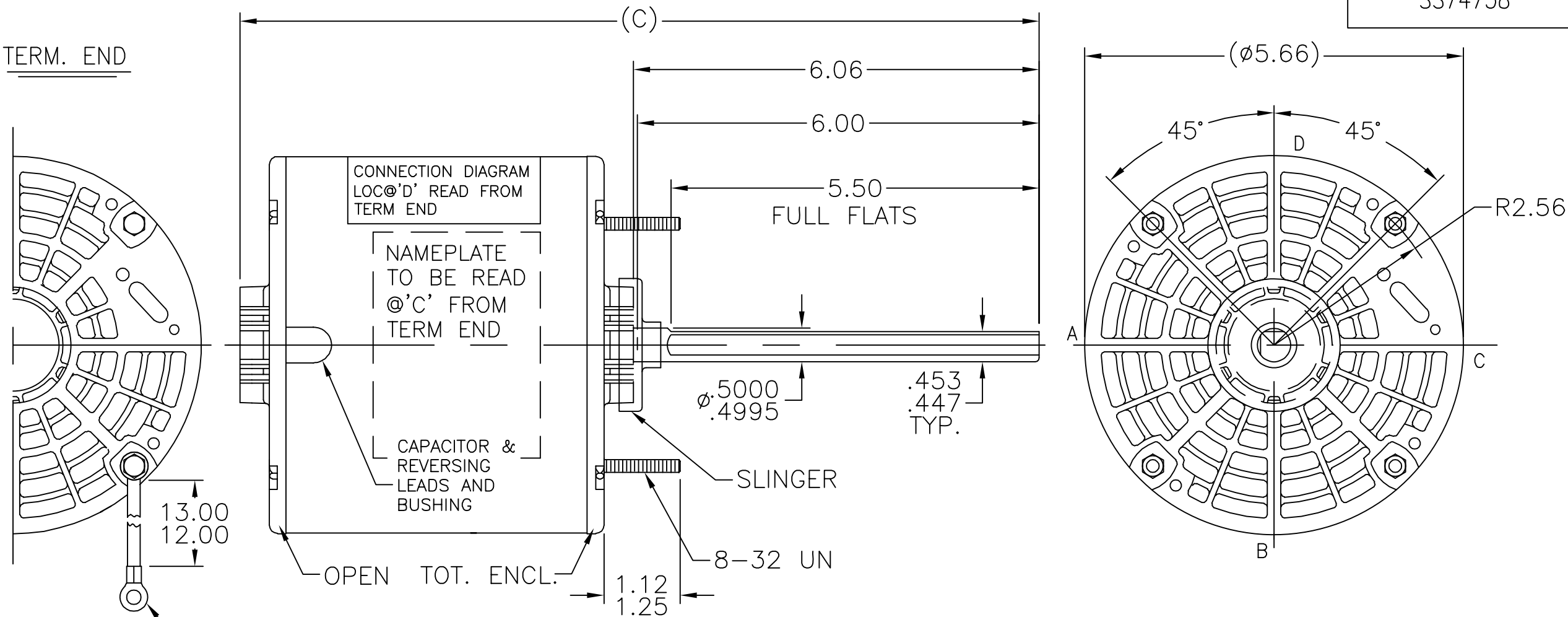


SS74758

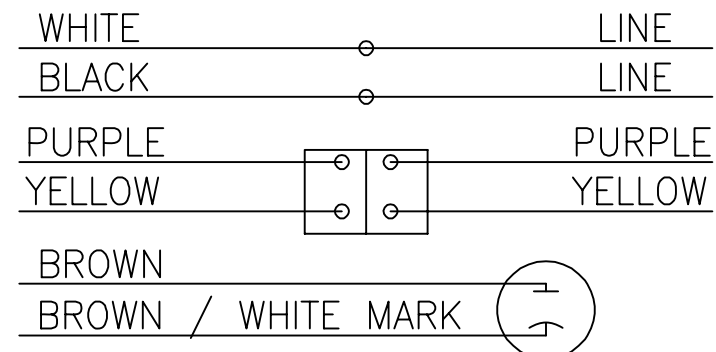
TERM. END



LEAD DESCRIPTION:
1 WHITE & 1 BLACK WITH .50 BARE WIRE STRIP 30.00" LONG.

2 BROWN CAPACITOR LEADS W/.25 FLAG TYPE QUICK CONNECTS 30.00" LONG
BROWN W/WHITE MARK IS COMMON TO WHITE LEAD

REVERSING LEADS ARE MOLDED INTO MATING PULL APART PLUGS. ONE PURPLE AND ONE YELLOW PER PLUG. 5.0 LONG



ROTATION: CW-SHAFT END SHOWN.
TO REVERSE, CONNECT PURPLE TO YELLOW AND YELLOW TO PURPLE

DASH	FRAME	C
375	48Y	11.19
400	48Y	11.44
425	48Y	11.69

NO.	REVISION	BY & DATE	CHK	TOLERANCES UNLESS SPECIFIED		MARATHON ELECTRIC	DRAWN MRB 09-13-1995		
				DEC.	INCHES				
				.X	$\pm .1$		CHK DA 09-14-1995		
4	UPDATED DRAWING	TJW 04/13/2007		.XX	$\pm .03$	TITLE OUTLINE	APPD GK 09-14-1995		
3	REDRAWN IN AUTOCAD	TAT 07-22-2004	ML	.XXX	$\pm .005$		SCALE 7=16		
2	REM. C' BOX - LEADS WERE 36.00-39.00 LG. CN 2115	MRB 09-14-1995		.XXXX	$\pm .0005$	MAT'L.	REF		
				ANG	$\pm 7'30"$	FINISH	FMF		
				RFP		CAD FILE ss74758	PREV		
				DIST WP					
THIS DRAWING IN DESIGN AND DETAIL IS OUR PROPERTY AND MUST NOT BE USED EXCEPT IN CONNECTION WITH OUR WORK ALL RIGHTS OF DESIGN AND INVENTION ARE RESERVED THIS IS AN ELECTRONICALLY GENERATED DOCUMENT - DO NOT SCALE THIS PRINT						SIZE A	DRAWING NO. SS74758	PAGE OF 4	REV. 4