

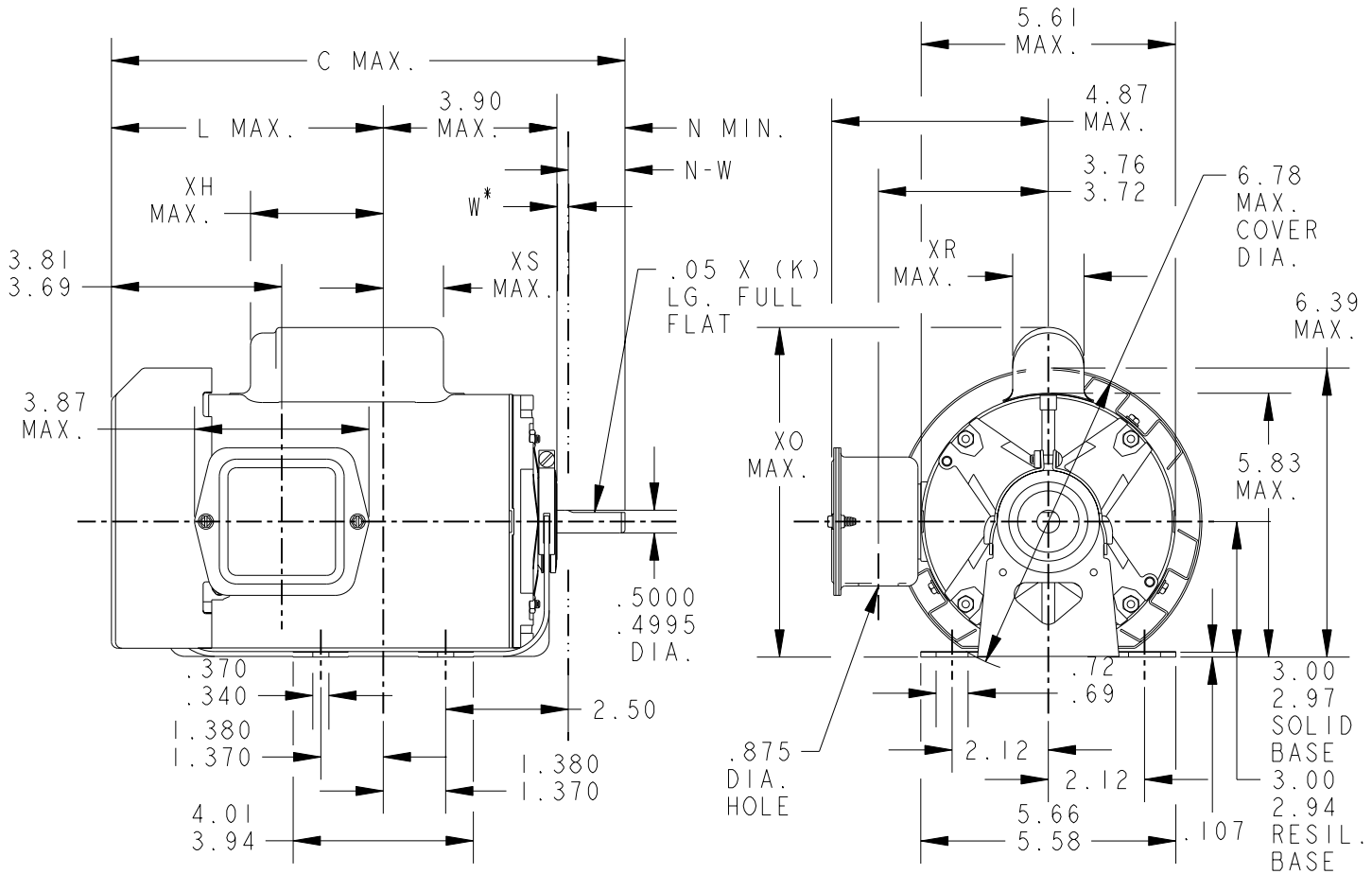
SHEET 1
REV 6
SIZE 52A102058

THIRD ANGLE PROJECTION



REVISIONS

REV.	DESCRIPTION	DATE	APPROVED
5	REDRAWN BY 2M SOFTWARE CO.	02/12/96	AAU
6	CHG TO RBC FORMAT PER ISO5-1777	12/22/05	DURGA



W* IS A CLEARANCE DUE TO VARIATION IN PARTS AND ASSEMBLY

7	KHC	35	48	10.55	1.16	5.17	1.50	1.63/1.41	2.91	7.76	2.08	2.74	
6	KC	38	48	11.98	1.16	6.60	1.50	1.63/1.41	4.02	7.31	1.60	1.75	
5	KC	37	48	11.38	1.16	6.00	1.50	1.63/1.41	3.42	7.31	1.60	2.35	
4	KC	36	48	10.98	1.16	5.60	1.50	1.63/1.41	3.02	7.31	1.60	2.35	
3	KC	35	48	10.55	1.16	5.17	1.50	1.63/1.41	2.59	7.31	1.60	1.97	
2	KC	33	48	10.17	1.16	4.79	1.50	1.63/1.41	2.21	7.31	1.60	2.35	
1	KC	32	48	9.92	1.16	4.54	1.50	1.63/1.41	2.16	7.31	1.60	2.43	
P	TYPE	GE SIZE	NEMA FR	C	K	L	N	N-W	XH	XO	XR	XS	SHELL LGTH

SIGNATURES		DATE		<p>REGAL-BELOIT CORPORATION</p> <p>TITLE OUTLINE</p> <p>GENERAL PURPOSE MOTOR - FORM N - TOTALLY ENCL. OUTBOARD FAN-SOLID OR RESI BASE-BALL OR SLV BRG</p>	
MODEL					
DETAIL		FPK 12/20/76			
CHECKED					
ENGRG					
FOR ADDITIONAL INFO REFER TO:		MFG		SIZE DRAWING	
APPLIED PRACTICES		QUALITY		A	
DIMENSIONS ARE IN INCHES ✓		ISSUED		52A102058	
MATERIAL		SOLID MODEL: 52A102058		REV 6	
				SCALE: 1.000	
				REF. No: .	
				SHEET 1 of 1	